



"RE-BUILDING THE CITY'S WATER SYSTEMS FOR THE 21ST CENTURY"

Sewerage & Water Board OF NEW ORLEANS

625 ST. JOSEPH STREET
NEW ORLEANS, LA 70165 • 504-529-2837 OR 52-WATER
www.swbno.org

Addendum No. 4

Date: 12/21/2023

Your reference is directed to **Contract Number: 2023-SWB-97 (Contract 1420)** for WPC Phase 1 Equipment Installation which is scheduled to open at **11:30 a.m. CST** on **January 15, 2024** for SWBNO Civil Engineering Department.

This addendum provides for the following:

1. Part 1 – PROCUREMENT REQUIREMENTS, Section 00 21 13 – Instruction to Bidders, REPLACE paragraph 23. SALES AND USE TAXES with the following language:
 - a. Sewerage and Water Board of New Orleans will extend the Utility's state and local tax-exempt status to the Contractor and its Subcontractors for materials, supplies, and equipment used during the performance of, and incorporated into the Work, in accordance with La. R.S. 47:301(8)(c)(i). Such exemption is to be accomplished via Form R-1020, Designation of Construction Contractor as Agent of a Governmental Entity Sales Tax Exemption Certificate, made available by the Louisiana Department of Revenue. Provided that the aggregate purchase of materials and goods by the requesting Contractor and Subcontractor total over \$20,000, such taxes should be excluded from the lump sum bid for the work of this contract. Otherwise, applicable state and local sales and use taxes for purchase of materials and supplies furnished under this contract shall be paid by the Contractor. Such taxes shall be included in the lump sum bid for the work of this contract. The board shall be relieved of any obligation to pay these taxes.
2. Part 2 – CONTRACTING REQUIREMENTS, Section 00 73 00 – Supplementary Conditions, REPLACE paragraph 6.10.A. with the following language:
 - a. Owner will extend the tax-exempt status of the utility to the Contractor and Subcontractors for materials and equipment consumed in the use of the Work for aggregate totals over \$20,000, via completion of Form R-1020. Contractor shall submit all required documents, including a completed Form R-1020, and provide documentation of taxable materials and equipment. Otherwise, Contractor shall pay all sales, consumer, use, and other similar taxes required to be paid by Contractor in accordance with the Laws and Regulations of the place of the Project which are applicable during the performance of the Work.
3. Part 1 – PROCUREMENT REQUIREMENTS, Section 00 11 13 – Advertisement to Bidders, the following language has been updated:
 - a. All inquiries shall be directed to Connor Metcalf, Procurement Analyst, at cmetcalf@swbno.org. The deadline for inquiries is on **January 9, 2024**, at 5:00 p.m. Central Time.

00 11 13-1 Line number 31-36; REPLACE language with the following:

Bids are due on **February 1, 2024**, at 11:00 a.m. Any Bids received after the specified time will be rejected.

Bids will then be publicly opened and read on **February 1, 2024**, at **11:30 a.m.** at Sewerage and Water Board of New Orleans, 625 St. Joseph Street, Purchasing Conference Room 131, New Orleans, Louisiana.

4. SWBNO – Pre Bid Meeting held December 18, 2023 at 11:00AM Attendance Sheet
 - a. See Attached page 3-4 (Attachment 10.a)
5. SWBNO – Updated Attendance Sheet for Pre Bid Meeting held December 8, 2023
 - a. See Attached pages 5-8 (Attachment 10.b)
6. Designation of Construction Contractor as Agent of Governmental Entity Form (Form R-1020)
 - a. See Attached page 9-10 (Attachment 10.c)
7. Add SSYRD Reference Documentation to Volume 4
 - a. See Attached pages 11-81 (Attachment 10.d, 10.e, 10.f)
8. Add 25Hz Switchgear Foundation Drawings to Volume 3 (Revised 12.19.23)
 - a. See Attached pages 82-88 (Attachment 10.g)
9. Responses to RFI's
 - a. See Attached page 89-90 (Attachment 10.h)
10. This Addendum includes the following attachments:
 - a. Attachment – 2023-SWB-97 Pre-Bid Attendance #2.pdf
 - b. Attachment – 2023-SWB-97 Pre-Bid Attendance.pdf
 - c. Attachment – Form R-1020 Designation of Construction Contractor as Agent of Governmental Entity.pdf
 - d. Attachment – 1420Vol4_SSYRD-239644-01-CONST.pdf
 - e. Attachment – 1420Vol4_SSYRD-1024630101_PowerVac.pdf
 - f. Attachment – 1420Vol4_SSYRD-IES_OneLines.pdf
 - g. Attachment – Switchgear Foundation Rev FINAL 121923.pdf
 - h. Attachment – 1420_BidderQuestions_V0.pdf

Attachment 10.a

SWBNO – Pre Bid Meeting held December 18, 2023 at 11:00AM Attendance
Sheet

Please write legibly



SEWERAGE & WATER BOARD OF NEW ORLEANS ATTENDANCE SHEET

PROJECT: -Pre-Bid Conference: 2023-SWB-97 Contract 1420 West Power Complex Phase Equipment Installation and Commissioning #2		MEETING DATE: December 18, 2023. 11:00 A.M.
PLACE/ROOM: Carrollton Water Plant Auditorium Room E202		FACILITATOR: Connor Metcalf, Procurement Analyst
NAME	COMPANY	EMAIL
Connor Metcalf	SWBNO	Cmetcalf@swbno.org
Jacob Ralser	MRPG	Jacob@mrpittman.com
Joel Tillery	Jacobs	joel.tillery@jacobs.com
Adam Solino	SWBNO	asolino@swbno.org
Kaitlin Tymrak	SWBNO	Ktymrak@swbno.org
Roy Snover	Jacobs	Roy.snover@jacobs.com

Attachment 10.b

SWBNO – Updated Attendance Sheet for Pre Bid Meeting held December 8,
2023

Please write legibly



SEWERAGE & WATER BOARD OF NEW ORLEANS ATTENDANCE SHEET

PROJECT: -Pre-Bid Conference: 2023-SWB-97 Contract 1420 West Power Complex Phase Equipment Installation and Commissioning		MEETING DATE: December 8, 2023. <u>9:00 A.M.</u>
PLACE/ROOM: Carrollton Water Plant Auditorium Room E202		FACILITATOR: Connor Metcalf, Procurement Analyst
NAME	COMPANY	EMAIL
Connor Metcalf	SWBNO	Cmetcalf@swbno.org
Scott Burchett	Primoris	Sburchett@prim.com
Joseph Bondank	Power Engineers	Joseph.bondank@powereng.com
M. Ron Spooner	SWBNO	rspooneer@swbno.org
Celso Antunez	SWBNO	cantunez@swbno.org
Bill Ducote	Barnes Electric	bducote@wjbe.com
William Dowling	Frischhertz Electric	Wdowling@frischhertz.com
Ryan Frischhertz	Frischhertz Electric	ryan@frischhertz.com
Doug Shivers	Frischhertz Electric	Dshivers@frischhertz.com
Ashton Rothly	MR Pittman Group	Ashton@mrpittman.com
Craig Duplantis	Triad	Craig_duplantis@thenewtrongroup.com

Please write legibly



SEWERAGE & WATER BOARD OF NEW ORLEANS ATTENDANCE SHEET

PROJECT: -Pre-Bid Conference: 2023-SWB-97 Contract 1420 West Power Complex Phase Equipment Installation and Commissioning		MEETING DATE: December 8, 2023. <u>9:00 A.M.</u>
PLACE/ROOM: Carrollton Water Plant Auditorium Room E202		FACILITATOR: Connor Metcalf, Procurement Analyst
NAME	COMPANY	EMAIL
Mike Rooney	Triad	mike_rooney@thenewtrougroup.com
Laura Kelly	Infinity Engineering	Lkelly@infinityec.com
York Brogden	Jacobs Engineering	York.brogden@jacobs.com
Kaitlin Tymrak	SWBNO	ktymrak@swbno.org
Bill Ellis	Walter Barnes	Bellis@wjbe.com
Mustafa Afaneh	Jacobs Engineering	mustafa.afaneh@jacobs.com
Alvin Porter	SWBNO	Aporter@swbno.org
Roy Snover	Jacobs Engineering	roy.snover@jacobs.com
Chris Bergeron	SWBNO	cbergeron@swbno.org
Rodney Carpenter	Jacobs Engineering	rodney.carpenter@jacobs.com
Sonya Reiser	Jacobs Engineering	Sonya.reiser@jacobs.com

Please write legibly



SEWERAGE & WATER BOARD OF NEW ORLEANS ATTENDANCE SHEET

PROJECT: -Pre-Bid Conference: 2023-SWB-97 Contract 1420 West Power Complex Phase Equipment Installation and Commissioning		MEETING DATE: December 8, 2023. <u>9:00 A.M.</u>
PLACE/ROOM: Carrollton Water Plant Auditorium Room E202		FACILITATOR: Connor Metcalf, Procurement Analyst
NAME	COMPANY	EMAIL
Brad Hall	Jacobs Engineering	Bradley.hall@jacobs.com
Joel Tillery	Jacobs Engineering	Joel.tillery@jacobs.com
Monica Stochl	Jacobs Engineering	Monica.Stochl@jacobs.com
Suliman Hamed	Jacobs Engineering	Suliman.Hamed@jacobs.com
Angel Johnson	SWBNO	Ajohnson4@swbno.org
Max Newton	Jacobs Engineering	max.newton@jacobs.com
Kirubel Beyene	Jacobs Engineering	kirubel.beyene@jacobs.com
Tim Morgan	Wallace C. Drennan	tmorgan@wallacedrennan.com
Jeff Handwork	Jacobs Engineering	Jeffrey.handwork@jacobs.com
Michael Volker	Jacobs Engineering	Michael.Volker@jacobs.com
Ryan Remlinger	Primoris	rremlinger@prim.com

Attachment 10.c

Designation of Construction Contractor as Agent of Governmental Entity Form
(Form R-1020)



**Designation of Construction Contractor
as Agent of a Governmental Entity
Sales Tax Exemption Certificate**

_____, an agency of the United States government, or an agency, board, commission, or instrumentality of the State of Louisiana or its political subdivisions, including parishes, municipalities and school boards, does hereby designate the following contractor as its agent for the purpose of making sales tax exempt purchases on behalf of the governmental body:

Name of Contractor		
Address		
City	State	ZIP

This designation of agency shall be effective for purchases of component construction materials, taxable services and leases and rentals of tangible personal property for the following named construction project:

Construction Project	Contract Number
----------------------	-----------------

This designation and acceptance of agency is effective for the period

Beginning Date (mm/dd/yyyy)	End Date (mm/dd/yyyy)
-----------------------------	-----------------------

Purchases for the named project during this period by the designated contractor shall be considered as the legal equivalent of purchases directly by the governmental body. Any materials purchased by this agent shall immediately, upon the vendor's delivery to the agent, become the property of this government entity. This government entity, as principal, assumes direct liability to the vendor for the payment of any property, services, leases, or rentals made by this designated agent. This agreement does not void or supersede the obligations of any party created under any construction contract related to this project, including specifically any contractual obligation of the construction contractor to submit payment to the vendors of materials or services for the project.

This contractor-agent is not authorized to delegate this purchasing agency to others; separate designations of agency by this governmental entity are required for each contractor or sub-contractor who is to purchase on behalf of this governmental entity. The undersigned hereby certify that this designation is the entirety of the agency designation agreement between them. In order for a purchase for an eligible governmental entity through a designated agent to be eligible for sales tax exemption, the designation of agency must be made, accepted, and disclosed to the vendor before or at the time of the purchase transaction.

Designation of Agency		
Signature of Authorized Designator	Date (mm/dd/yyyy)	
Name of Authorized Designator		
Name of Governmental Entity		
Address		
City	State	ZIP

Acceptance of Agency		
Signature of Contractor or Subcontractor Authorized Acceptor	Date (mm/dd/yyyy)	
Name of Contractor's or Subcontractor's Acceptor		
Name of Contractor		
Address		
City	State	ZIP

This designation of agency form, when properly executed by both the contractor and the governmental entity, shall serve as evidence of the sales tax exempt status that has been conferred onto the contractor. No other exemption certificate form is necessary to claim exemption from sales taxes. The agency agreement evidenced by this sales tax exemption certificate must be implemented at the time of contract execution with the governmental entity. The contract between the governmental entity and his agent must contain provisions to authenticate the conferment of agency.

Attachment 10.d

Volume 4, SSYRD Reference Documentation

Attachment – 1420Vol4_SSYRD-239644-01-CONST.pdf

POWER/VAC® SWITCHGEAR

SUMMARY OF EQUIPMENT

CUSTOMER: INDUSTRIAL ELECTRICAL SERVICES
CUSTOMER ORDER
LOCATION: HARVEY, LA
STATION: SWB NEW ORLEANS EXPANSION
CONTRACTOR:
CONSULTANT:
DISTRIBUTOR:
DISTRIBUTOR ORDER
PENALTY: No
CUSTOMER INSPECTION: No
WITNESS TEST: No
EQUIPMENT DUTY:
CERTIFIED TEST REPORT: Yes
COMPLIANCE CERTIFICATE: No

LINEUP NO: 01

CONSTRUCTION: Outdoor (Non Walk-In)
RATED: 7200V-1200A-3PH-3W-25Hz-50KA
EQUIPMENT: PowerVac Switchgear
MAIN BUS MATERIAL: LU001 - 1200A/CU
NEUTRAL BUS MATERIAL: LU001 - N/A
GROUND BUS MATERIAL: LU001 - 600A/CU
BUS BRACING: 130KA
S.C. RATING: 50KA
GE BKR HOIST: N/A
TOTAL STACKS: 1
EQUIPMENT I/B: 01.4IB.67000
PAINTED PER: ANSI 61-STD
(POWDER-COAT TYPE PER MFG-025)
FINISHED COLOR: Light Gray

REQN #: 239644-01

ENGR: Julianne Stutz

DATE: 08-Apr-2020

PROJECT #: 239644-01

REV #: 0



SHEET: 1 OF: 1

POWER/VAC BREAKER SUMMARY

CATALOG NUMBER: PVGQ1E1A2A2202D1A1

MARK NO [001]

DWG/FILE NO: 23964401B1

PVG - POWER-VAC EQUIPMENT BREAKER

- Q - 8.25KV - 50KA
- 1 - 1200A RATING
- E - RETROFIT CODE - E
- 1 - REVISION 1
- A - NO CAP SWITCHING
- 2 - 5-CYCLE BKR
- A - 60 HZ. RATING
- 2 - 125VDC CLOSE COIL STANDARD WIRING
- 2 - 125VDC TRIP COIL - 1ST
- 0 - NO 2ND TRIP COIL
- 2 - 125VDC CHARGING MOTOR
- D - CERTIFIED TEST REPORTS
- 1 - NO FAST BUS TRANSFER
- A - NO DIELECTRIC ENHANCEMENTS
- 1 - NO SPECIALS

UNIT(S) : 107B

QTY [1]

NAMEPLATE

Type	VB 8.25.0-50-4		Serial No. (GENERATED BY SHOP)					
RATED MAX VOLTAGE	8.25 kV	RATED CURRENT	1200 AMPS	60 Hz	IMPULSE WITHSTAND	95kV	INT TIME	5 CYC
RATED SHORT CIRCUIT AMPS	50 kA	SHORT TIME CURRENT	50 kA	CLOSE & LATCH CAPABILITY AMP.	130 kA			
DC COMP	35%	RATED VOLTAGE RANGE FACTOR	1.00	OPERATING DUTY CYCLE	0-0.3s-CO-3m-CO			
CLOSE COIL	0282A2009G002	VOLTS	125VDC	CLOSING AMPS	6.0	VOLT RANGE	100-140	
TRIP COIL-1	0282A2009G008	VOLTS	125VDC	TRIPPING AMPS	10.2	VOLT RANGE	70-140	
TRIP COIL-2		VOLTS		TRIPPING AMPS		VOLT RANGE		
CHARGING MOTOR	0177C2164G001	VOLTS	125VDC					
CONNECTION DIAGRAM	07010P00WR3713	WT.	655lbs	MECH TYPE	ML-17	DATE MFG	MM/DD/YYYY	
CAPACITANCE CURRENT SWITCHING				CABLE CHARGING	A CLASS C2			
ISOLATED CAP BANK	A CLASS C2		BACK-TO-BACK CAP AMPS	A CLASS C2				
TRANSIENT INRUSH CURRENT	ka	TRANSIENT INRUSH FREQUENCY	kHz					
VAC. INTER. TYPE	49A	REQ: PO# AS APP.	SO: ORACLE PROJECT					
ORDERING NO.	PVGQ1E1A2A2202D1A1	MANUAL:	01.4IB.66000D					

CAUTION: READ INSTRUCTION MANUAL BEFORE INSTALLING OR OPERATING BREAKER(S).

<u>MK</u>	<u>QTY</u>	<u>DESCRIPTION</u>	<u>RATING</u>	<u>QTY</u>	<u>L/U</u>	<u>UNIT</u>
0C7	4	ORDERING NO: 9F60BHH001 EJ1 FU 14400V 1E XS	IP			
				4	001	107A
0NY	6	ORDERING NO: YA392N BURNDY CRIMP TERM FOR CU CABLE 750kcmil	UL/CSA			
				6	001	107B
0PJ	1	ORDERING NO: 0282A4158P004 TERMINAL #2-250kcmil TIN PLATED	NA			
				1	001	107S
1Q4	2	ORDERING NO: PTG52110SD03163CC ITI VOLTAGE TRANSFORMER 7200/120V 25HZ 0.5% ACC 75VA, 2 BUSHING, 15KV CL 110KV BIL, 550VA THERM 30 DEG C,	UR-IP			
				2	001	107A
3DE	2	ORDERING NO: 0209B4841G010 ET16 LED LAMP ASSY RED 120VAC/125VDC W/2000 OHM RESISTOR RED LED, RED CAP	IP			
				2	001	107A
3DF	1	ORDERING NO: 0209B4841G009 ET16 LED LAMP ASSY GRN 120VAC/125VDC W/2000 OHM RESISTOR GREEN LED, GREEN CAP	IP			
				1	001	107B
3DH	1	ORDERING NO: 0209B4841G008 ET16 LED LAMP ASSY AMB 120VAC/125VDC W/2000 OHMRESISTOR YELLOW LED, AMBER CAP	IP			
				1	001	107B
5V2	2	ORDERING NO: P9CPNNGN30N0 GE C2000 PUSH BUTTON BLACK FLUSH POLISHED CHROME OPERATOR 1NO & 1NC CONTACTS, SCREW TERM OPERATOR: P9CPNNG, CONTACT BLK: P9B11VN	UL			
				2	001	107B
64B	2	ORDERING NO: GE5051-1 TOGGLE SW SPST 10A 125V	UL			
				1	001	107A
				1	001	107B
77T	1	ORDERING NO: 1595I GFCI DUPLEX RECEPTACLE PASS&SEYMOUR/LEGRAND 20A 125VAC 60HZ	UL			
				1	001	107B
784	1	ORDERING NO: BTB671-00-06-1-M1 JITE S/C TERMINAL BLOCK 6-POLE 60A-600V	IP			
				1	001	107B

REQ #: 239644-01
ENGR: Julianne Stutz
DATE: 08-Apr-2020

Issue Rev. 2

WO #: 239644-01

SH D1



<u>MK</u>	<u>QTY</u>	<u>DESCRIPTION</u>	<u>RATING</u>	<u>QTY</u>	<u>L/U</u>	<u>UNIT</u>
7L2	5	ORDERING NO: USM2 CLASS CC ULTRASAFE USM FUSE HOLDER 2 POLE 30A 800VAC/1000VDC 100KAIC 800VAC/1000VDC	UR-IP			
				3	001	107A
				2	001	107B
87R	4	ORDERING NO: 276-19 HEATREX TUBULAR HEATER TYPE 1 RATED 500W @ 240VAC INCLUDES STEEL SHROUD	UR-IP			
				1	001	107A
				1	001	107B
				2	001	107S
87V	1	ORDERING NO: 0282A2459G001 BKR WIPE ADJ TOOL ML-17	NA			
				1	001	XS
87W	1	ORDERING NO: 0209B5075G001 MANUAL RACKING WRENCH	NA			
				1	001	XS
8BU	1	ORDERING NO: 0177D8399G003 REMOTE RACKING OPER SADDLE DESIGN 115V 50/60HZ	NA			
				1	001	XS
BLB	2	ORDERING NO: 90022G05 LIGHT RECEPT 660W 250V, MK#65A A19 LED LIGHT BULB, MK#3C4 LIGHT MOUNTING BRACKET, MK#M089	UL			
				1	001	107A
				1	001	107B
CT10H	3	ORDERING NO: CT103-102 AMRAN CURRENT TRANSFORMER 600V, 1000:5A RATIO, 10KV BIL, CLASS C200	UR-IP			
				3	001	107B
F10A	4	ORDERING NO: OTM10 10A CLF CLASS J FU FERRAZ-SHAWMUT FUSE, 10A 250VAC	UL			
				4	001	107A
F30D	4	ORDERING NO: ATM30 30A CLF CLASS J FU FERRAZ-SHAWMUT FUSE 30A 600VAC/VDC	UL			
				4	001	107B
F6A	2	ORDERING NO: OTM6 6A CLF CLASS J FU FERRAZ-SHAWMUT FUSE, 6A 250VAC	UL			
				2	001	107A



<u>MK</u>	<u>QTY</u>	<u>DESCRIPTION</u>	<u>RATING</u>	<u>QTY</u>	<u>L/U</u>	<u>UNIT</u>
GND	2	ORDERING NO: 17171P00000728-BS INTERMEDIATE GROUND BUS	NA			
				1	001	107A
				1	001	107B
HLAI10	3	ORDERING NO: 3028083001 LIGHTNING ARRESTER, INTERMEDIATE CLASS, POLYMER VOLTAGE RATING: 9KV, MCOV: 7.65KV MOUNTING BASE: UP				
				3	001	107S
PS1	1	ORDERING NO: 07100G00000041-061T061TES POSITION (TOC) SWITCH, 6A/6B ANY COMPT TYPE USE WITH ML-18 BKR AND ML-17-4 BKR	IP			
				1	001	107B
Q196	1	ORDERING NO: 07100G00110031-061T061TES BKR MANUAL CHARGE HDL (ML-17)	NA			
				1	001	XS
SS1	1	ORDERING NO: 07100G00000011-061T061TES STATION (MOC) SWITCH, CONNECT-TEST, 6A/6B ANY COMPT TYPE USE WITH ML-18 BKR AND ML-17-4 BKR	IP			
				1	001	107B
TB1602	2	ORDERING NO: 1602STD H.D. TERMINAL BLOCK 1600 SERIES, 2-POLE, BARRIER TYPE 75A 2PT TERMINAL BLOCK #4-#16 AWG, 600V 30A WITH UNPREPARED WIRE #16-#10 AWG CU.	UR-IP			
				2	001	107A
TB1604	2	ORDERING NO: 1604STD H.D. TERMINAL BLOCK 1600 SERIES, 4-POLE, BARRIER TYPE 75A 4PT TERMINAL BLOCK #4-#16 AWG, 600V 30A WITH UNPREPARED WIRE #16-#10 AWG CU.	UR-IP			
				2	001	107A



STYLE: WHITE LETTERS ON BLACK BACKGROUND

MOUNTING: Stainless Steel

REV	PART	ID	CHAR	*** ENGRAVE AS FOLLOWS ***	UNIT
0	289	NP1	0.250	EMD BUS TIE PT ROLLOUT	107A
0	16	NP13	0.125	FBHTR HEATER CIRCUIT 120VAC FUSE 6A	107A
0	16	NP14	0.125	FBLT LIGHTING CIRCUIT 120VAC FUSE 10A	107A
0	16	NP15	0.125	FBPT PT SECONDARY CIRCUIT 120VAC FUSE 10A	107A
0	289	NP17	0.250	EMD BUS TIE PT ROLLOUT	107A
0	9	NP2	0.125	PH 1-2 POTENTIAL PRESENT	107A
0	9	NP3	0.125	PH 2-3 POTENTIAL PRESENT	107A
0	16	NP4	0.125	CELL LIGHTING TOGGLE SWITCH	107A
0	16	NP10	0.125	GFCI DUPLEX RECEPTACLE 120VAC 60HZ	107B
0	16	NP11	0.125	FBCL 52 CLOSE CIRCUIT 125VDC FUSE 30A	107B
0	16	NP12	0.125	FBTR 52 TRIP CIRCUIT 125VDC FUSE 30A	107B
0	289	NP16	0.250	EMD BUS TIE BREAKER	107B
0	16	NP5	0.125	CELL LIGHTING TOGGLE SWITCH	107B
0	9	NP6	0.125	BREAKER OPEN	107B
0	9	NP7	0.125	BREAKER CLOSED	107B
0	16	NP8	0.125	PUSH TO CLOSE BREAKER	107B
0	16	NP9	0.125	PUSH TO TRIP BREAKER	107B



POWER-VAC SWITCHGEAR

Product Type POWER-VAC Style: WP

Plant Code: EDA Summary Number: 239644-01

LineUp	Cust. Mark No.	Volts	Phase	Wire	HZ	Volts Max
100	MV SWGR	7200	3	3	60	8250

LOW FREQ: 36KV IMPULSE: 95KV MOMENTARY: 130 PeakKA

SECTION	SUPPLY	SECTION	NEUTRAL	SHORT CKT RATING RMS SYM	STACK LABEL
107	1200	1200		AMPS 50,000	



REQN NO: 239644-01
ENGR: Julianne Stutz
DATE: 03/04/2020 08:21:03

SUMM NO: 239644-01
REV NO: 01

SO NO: 239644-01

SH:

EE1

Summary of Power-Vac Switchgear Equipment Standard Options

Line Up: 01

-----Certifications-----

UL/UR 1670 Label.....	Units.....	Not Required
CSA.....	Units.....	Not Required
Corona Spec.....		Not Required
Corona Testing.....		Not Required
Regulatory Code.....		Not Required
Seismic Zone.....		Not Required
Breaker Testing.....		Mech Int/Operational Test
Equipment I/B.....		01.4IB.67000A

-----Electrical Options-----

Wire Size.....	14
Wire Sleeves.....	Origin/Destination-Heat Shrinkable Sleeve
Wire Terminals.....	Ring Insulated
CT Wire Size.....	10
CT Wire Terminals.....	Ring Insulated
Serialized Metering/Relaying CTs w/ Test Reports.....	Not Required
System Phase Configuration.....	WYE
System Ground Configuration.....	Effectively Grounded

-----Mechanical Options-----

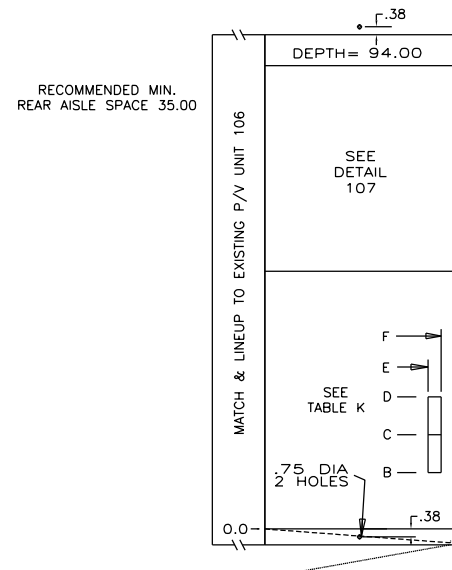
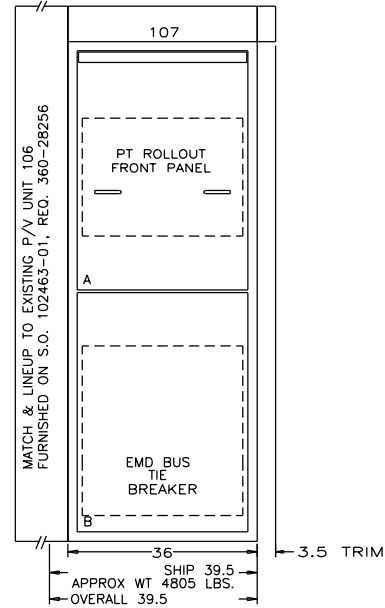
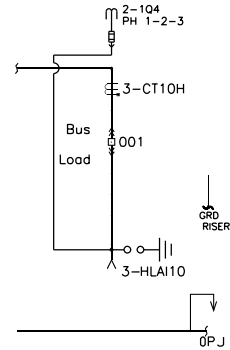
Construction.....	WP	
Arc Resistant.....	Not Required	
Drip Proof Roof.....	Not Required	
Stack Depth.....	94	
Stack Depth Ext.....	0	
Cable Lug Type.....	Compression-Copper	
Cable Supports.....	Not Required	
Cable Boots.....	Not Required	
Device Door Barriers.....	Not Required	
Front Door Hinge.....	LH	
Front Door Handle Type.....	T-handle	
Front Door Flat Gasket.....	Not Required	
Front Door Padlock.....	Not Required	
Rear Door Type.....	Hinged	Height: Full Height
Rear Door Handle Type.....	Bolt	
Rear Door Stop.....	Not Required	
Rear Door Padlock.....	Required	
Indoor Floor Plates.....	Not Required	
Primary and Bus Supports.....	Polyester/Epoxy	
Main Bus Plating.....	Full Silver	
Ground Bus Plating.....	Full Silver	
Mimic Bus.....	Not Required	Width: Not Required
Heaters.....	Not Required	Color: Not Required Mounting: Not Required
Outdoor Aisle Extension.....	Not Required	Compartment and Stack
Outdoor PA/CA Ship.....	Not Required	
Pull Box.....	Not Required	Pull Box Height: Not Required
Ventilation.....	Std	Screen Option: Not Required
Roll-In Breakers.....	Not Required	
Remote Racking.....	Required	Remote Racking Type: Saddle-Mount
Special Paint Thickness (mils).....	Not Required	
Special Interior Paint.....	Not Required	
Special Exterior Paint.....	Not Required	
Painted Per.....	61-STD	



REQN NO: 239644-01
ENGR: Julianne Stutz
DATE: 03/04/2020 00:00:00

SUMM NO: 239644-01
REV NO: 01

SO NO: 239644-01
SH: L1



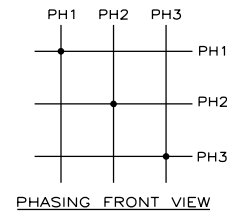
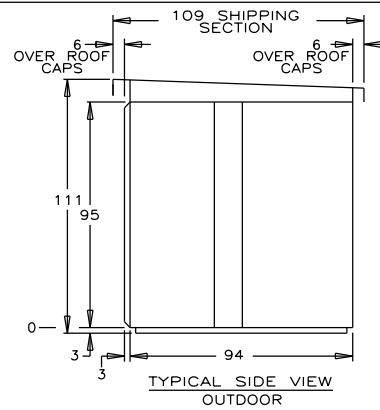
RECOMMENDED MIN. AISLE SPACE 78.00 TO REMOVE BREAKERS

REFERENCE DRAWINGS

1. INSTALLATION
DWG NO. 0209B4644
2. LIFTING & HANDLING
DWG NO. 0209B4646
3. JACKING
DWG NO. 0209B4647
4. TAPE INSTRUCTIONS
DWG NO. 0144D2907
DWG NO. 0282A4528
5. INSTALLATION - CONTROL WIRING
DWG NO. 0209B4653

TAPE ALL JOINTS DENOTED WITH A (T) ON 1-LINE.
(ALL OTHER JOINTS TO BE BOOTED UNLESS OTHERWISE NOTED.)

PRIMARY CABLE TERMINATIONS TO BE INSULATED IN THE FIELD.



PRIMARY DEVICE TABLE									CABLE SCHEDULE		
SECT AND COMPT	SUMMARY	MK#	TYPE / CAT #	RATING	CT TOP 1st. SET	CT TOP 2nd. SET	CT BOT 1st. SET	CT BOT 2nd. SET	CABLES/TERMINALS		
									PER PHASE	NEUTRAL	GROUND
107B	239644-01	001	PVGQ1E1A2A2202D1A1 ML-17	1200	3 - 1000:5A				2-750kcmil-ONY		

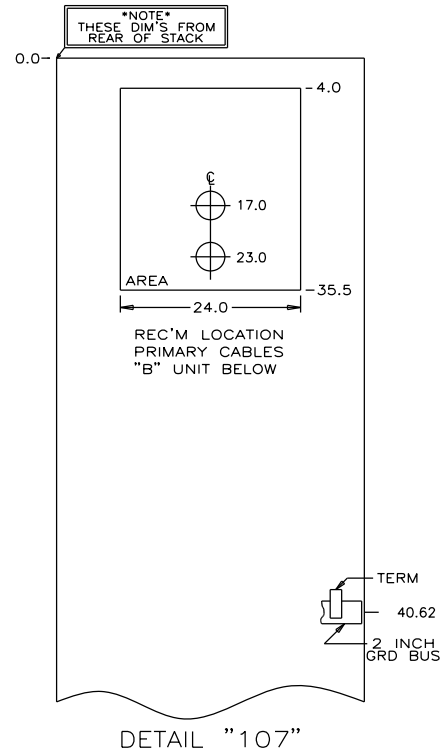


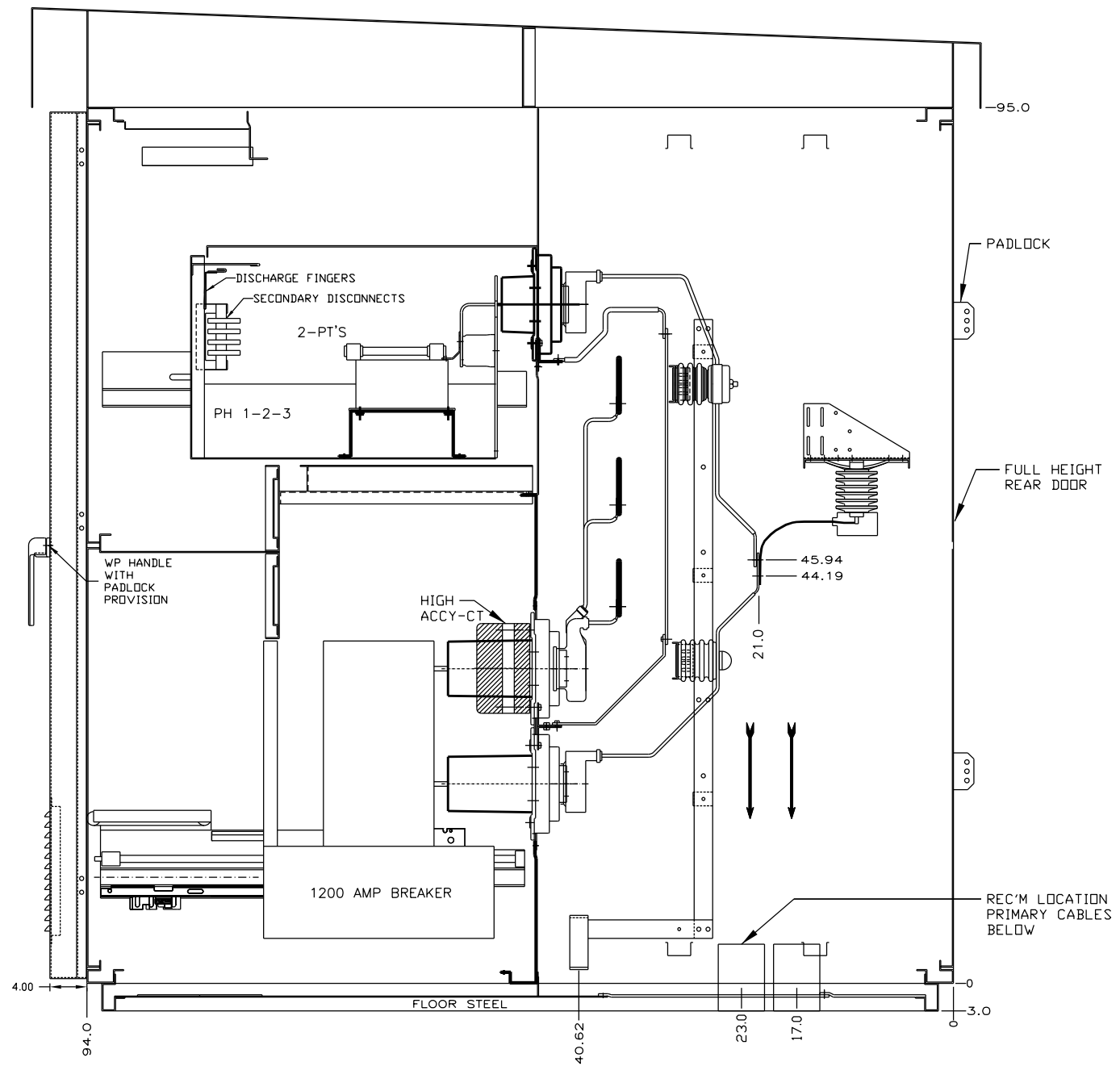
TABLE K
CUSTOMER SECONDARY CONTROL LEAD TABLE
(*A* THRU *D* DIMENSIONS ARE REF'D FROM THE FRONT)
(*E* THRU *F* DIMENSIONS ARE REF'D FROM THE RIGHT)
ABOVE

"A" COMPT TYPE	"B" COMPT TYPE	A	B	C	D	E	F
ALL	ALL	N/A	6.50	18.0	18.0	5.00	2.50
BELOW							
ALL	ROLLOUT	N/A	6.50	11.0	11.0	5.00	2.50
ALL	ALL OTHER	N/A	6.50	18.0	18.0	5.00	2.50

CERTIFIED
FOR CONSTRUCTION

REVISION DESCRIPTION				CONFIDENTIAL INFORMATION	
CONSTRUCTION RELEASE				Confidential Information. Not to be used in any way detrimental to Powell	
REV. BY	REV. DATE	REV. NO	ENGINEER:		
JDS	03/25/2020	02	Julianne Stutz	DWG. NO. 239644-01	DATE DRAWN 02-05-2020
			DESIGNER: TONY NGUYEN	SH NO. 001	

CROSS REFERENCE	
REFERENCE No.	<p>POWELL Powered by Safety®</p> <p>Powell Electrical Systems, Inc. 7232 Airport Blvd Houston, Texas 77061 Tel: 713.944.6900 Fax: 713.947.4453</p>
P.O. No. 239644-01	<p>CUSTOMER NAME, PROJECT NAME & LOCATION</p> <p>INDUSTRIAL ELECTRICAL SERVICES SWB NEW ORLEANS EXPANSION HARVEY, LA</p>
DRAWING DESCRIPTION	<p>RATING, EQUIPMENT TYPE & I.D</p> <p>7200V-1200A-3PH-3W-25Hz-50KA PowerVac Switchgear</p>
FRONT VIEW AND FLOOR PLAN	



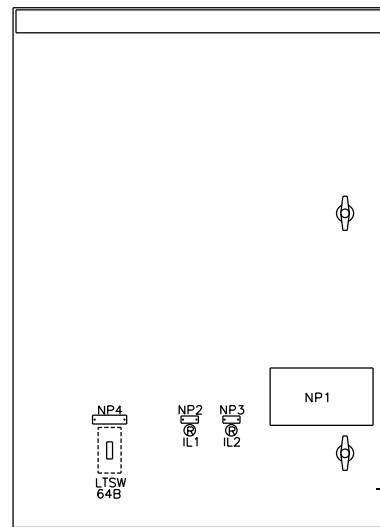
STACK 107

CERTIFIED FOR CONSTRUCTION

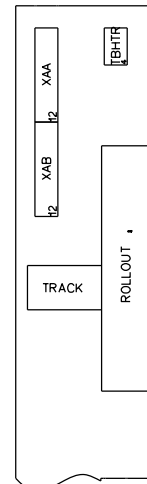
Confidential Information. Not to be used in any way detrimental to Powell

REVISION DESCRIPTION		
CONSTRUCTION RELEASE		
REV. BY	REV. DATE	REV. NO
JDS	03/25/2020	01

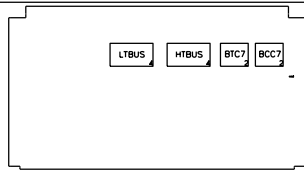
CROSS REFERENCE		
REFERENCE No.		
		Powell Electrical Systems, Inc. 7232 Airport Blvd Houston, Texas 77061 Tel: 713.944.6900 Fax: 713.947.4453
P.O. No. 239644-01		
CUSTOMER NAME, PROJECT NAME & LOCATION		
INDUSTRIAL ELECTRICAL SERVICES SWB NEW ORLEANS EXPANSION HARVEY, LA		
DRAWING DESCRIPTION	RATING, EQUIPMENT TYPE & I.D	
SIDE VIEW - STACK 107	7200V-1200A-3PH-3W-25Hz-50KA PowerVac Switchgear	
ENGINEER: Julianne Stutz	DWG. NO. 239644-01	DATE DRAWN 02-05-2020
DESIGNER: TONY NGUYEN	SH NO. 002	



107A



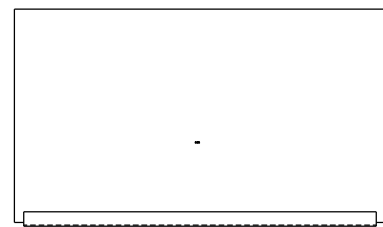
LEFT SIDE
COMPT. SIDE SHEET
UNIT - 107A



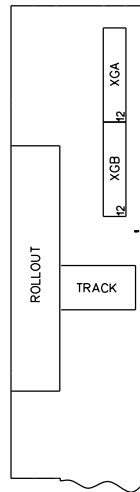
OVERHEAD PANEL
UNIT - 107A



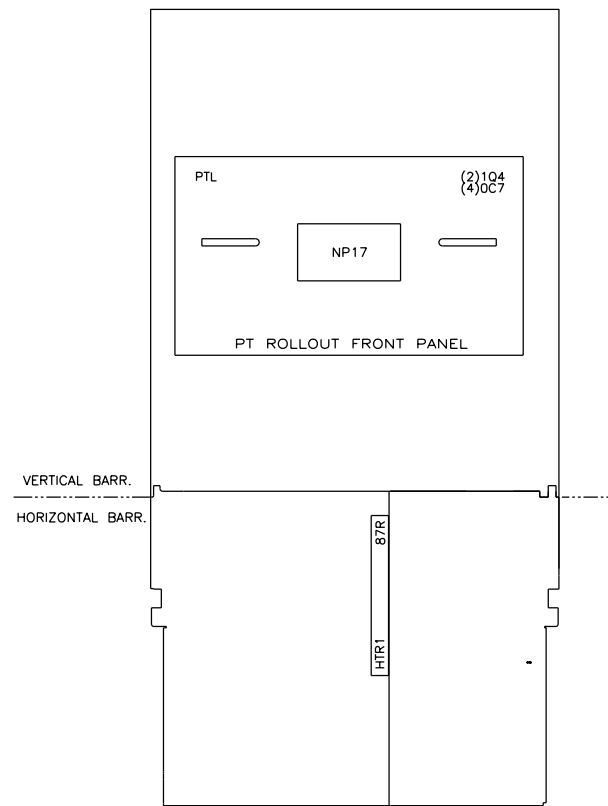
INTERNAL PANEL
UNIT - 107A



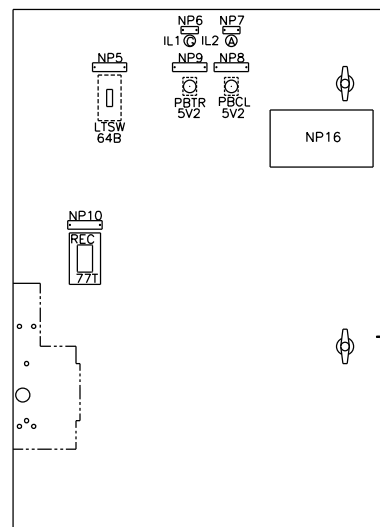
FRONT
CROSS TROUGH
UNIT - 107A



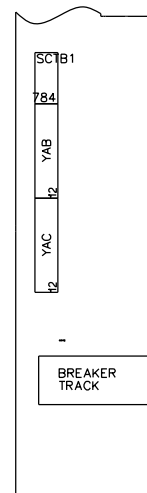
RIGHT SIDE
COMPT. SIDE SHEET
UNIT - 107A



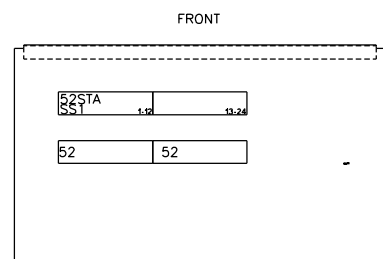
FRONT COMPARTMENT
UNIT - 107A



107B



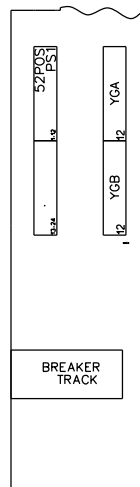
LEFT SIDE
COMPT. SIDE SHEET
UNIT - 107B



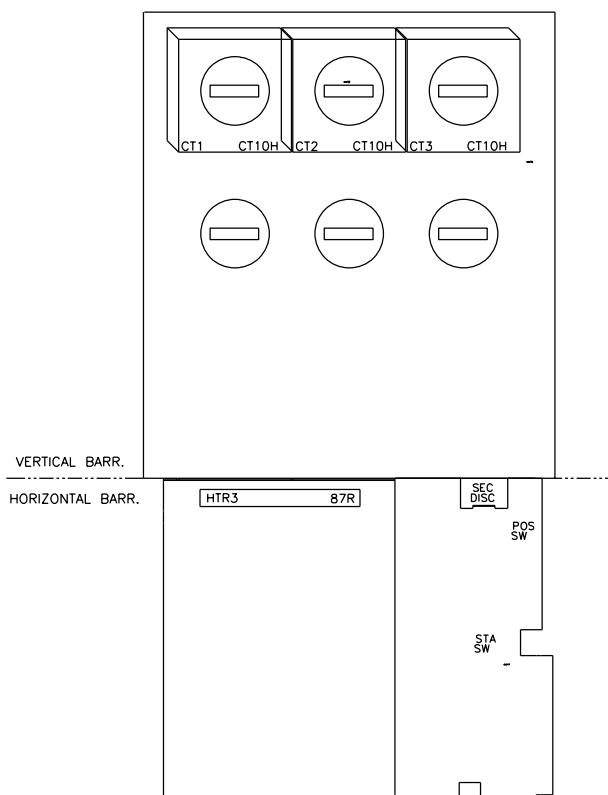
CROSS TROUGH
UNIT - 107B



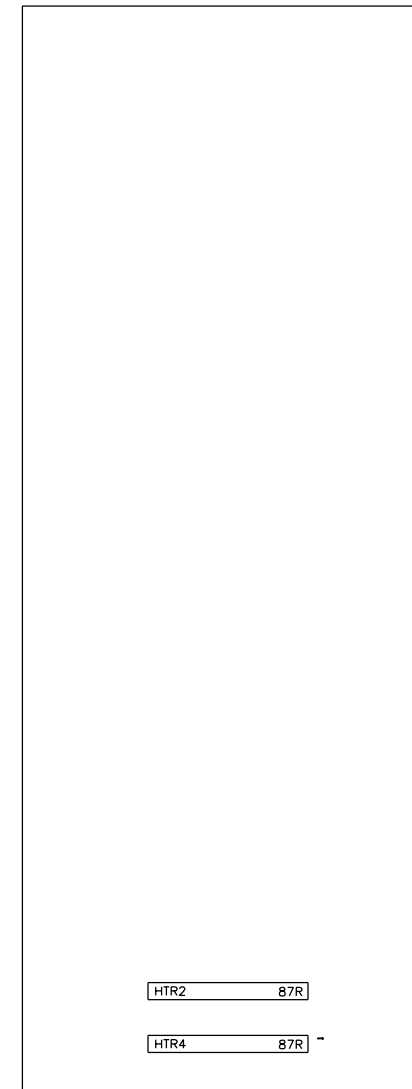
INTERNAL PANEL
UNIT - 107B



RIGHT SIDE
COMPT. SIDE SHEET
UNIT - 107B



FRONT COMPARTMENT
UNIT - 107B



REAR VIEW
107S

CERTIFIED
FOR CONSTRUCTION

Confidential Information. Not to be used in any way detrimental to Powell	REVISION DESCRIPTION			CROSS REFERENCE		
	CONSTRUCTION RELEASE			REFERENCE No.	Powell Electrical Systems, Inc. 7232 Airport Blvd Houston, Texas 77061 Tel: 713.944.6900 Fax: 713.947.4453	
REV. BY JDS	REV. DATE 03/25/2020	REV. NO 01	ENGINEER: Julianne Stutz	DWG. NO. 239644-01	P.O. No. 239644-01 CUSTOMER NAME, PROJECT NAME & LOCATION INDUSTRIAL ELECTRICAL SERVICES SWB NEW ORLEANS EXPANSION HARVEY, LA	
			DESIGNER: TONY NGUYEN	SH NO. 003	DRAWING DESCRIPTION PANEL LAYOUT - STACK 107 RATING, EQUIPMENT TYPE & I.D 7200V-1200A-3PH-3W-25Hz-50KA PowerVac Switchgear	
					DATE DRAWN 02-05-2020	

CONTACTS				POSITIONS	
HANDLE	END	NO	BKR IN	BKR OUT	
1	2	3	4	1-2	X
5	6	7	8	3-4	X
9	10	11	12	5-6	X
13	14	15	16	7-8	X
17	18	19	20	9-10	X
21	22	23	24	11-12	X
				13-14	X
				15-16	X
				17-18	X
				19-20	X
				21-22	X
				23-24	X

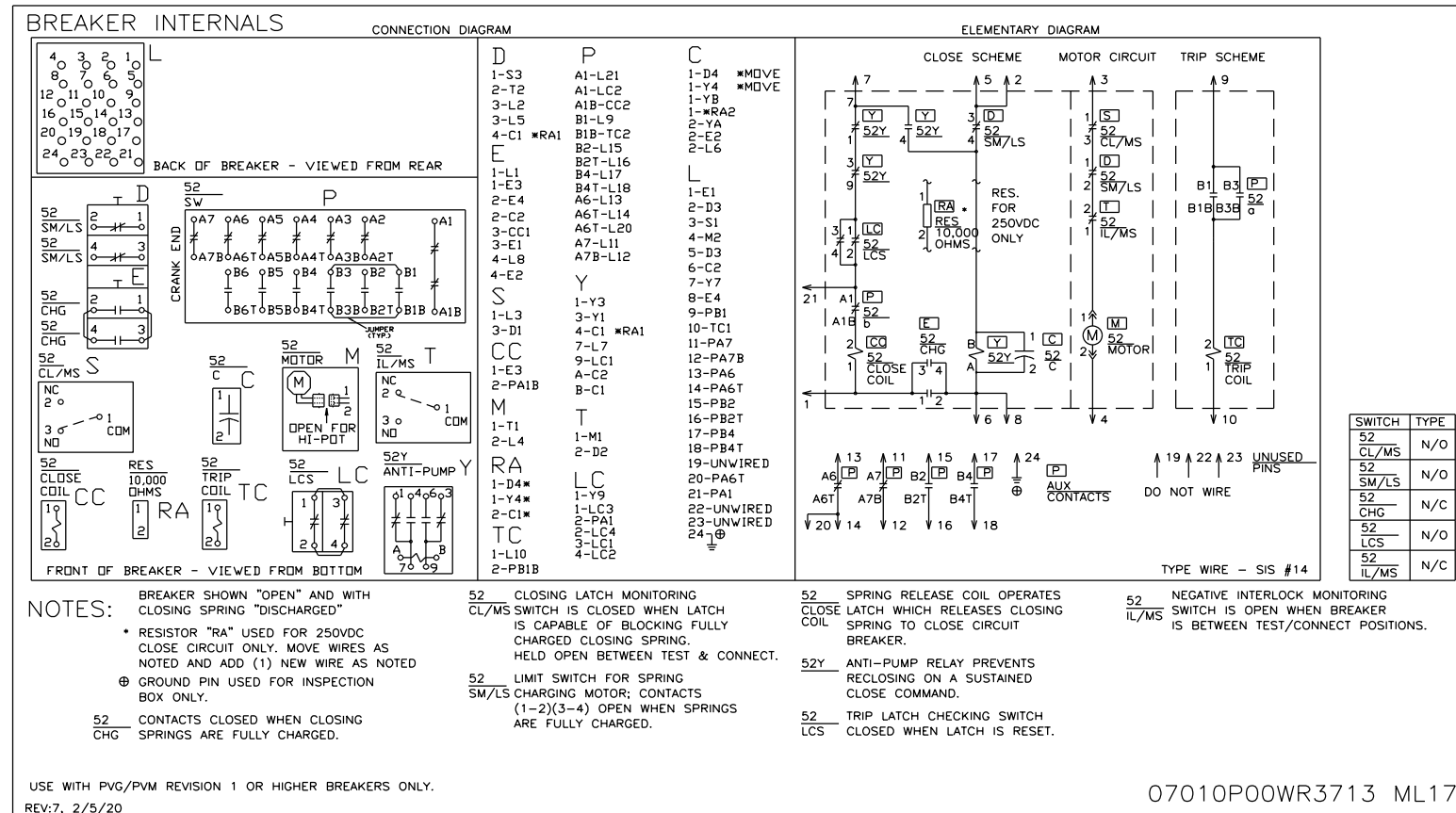
X-DENOTES CONTACT CLOSED
SPRING RETURN TO BKR OUT

07100G00000041

CONTACTS				POSITIONS	
HANDLE	END	NO	BKR OPEN	BKR CLOSE	
1	2	3	4	1-2	X
5	6	7	8	3-4	X
9	10	11	12	5-6	X
13	14	15	16	7-8	X
17	18	19	20	9-10	X
21	22	23	24	11-12	X
				13-14	X
				15-16	X
				17-18	X
				19-20	X
				21-22	X
				23-24	X

X-DENOTES CONTACT CLOSED
SPRING RETURN TO BKR OPEN

07100G000000XX



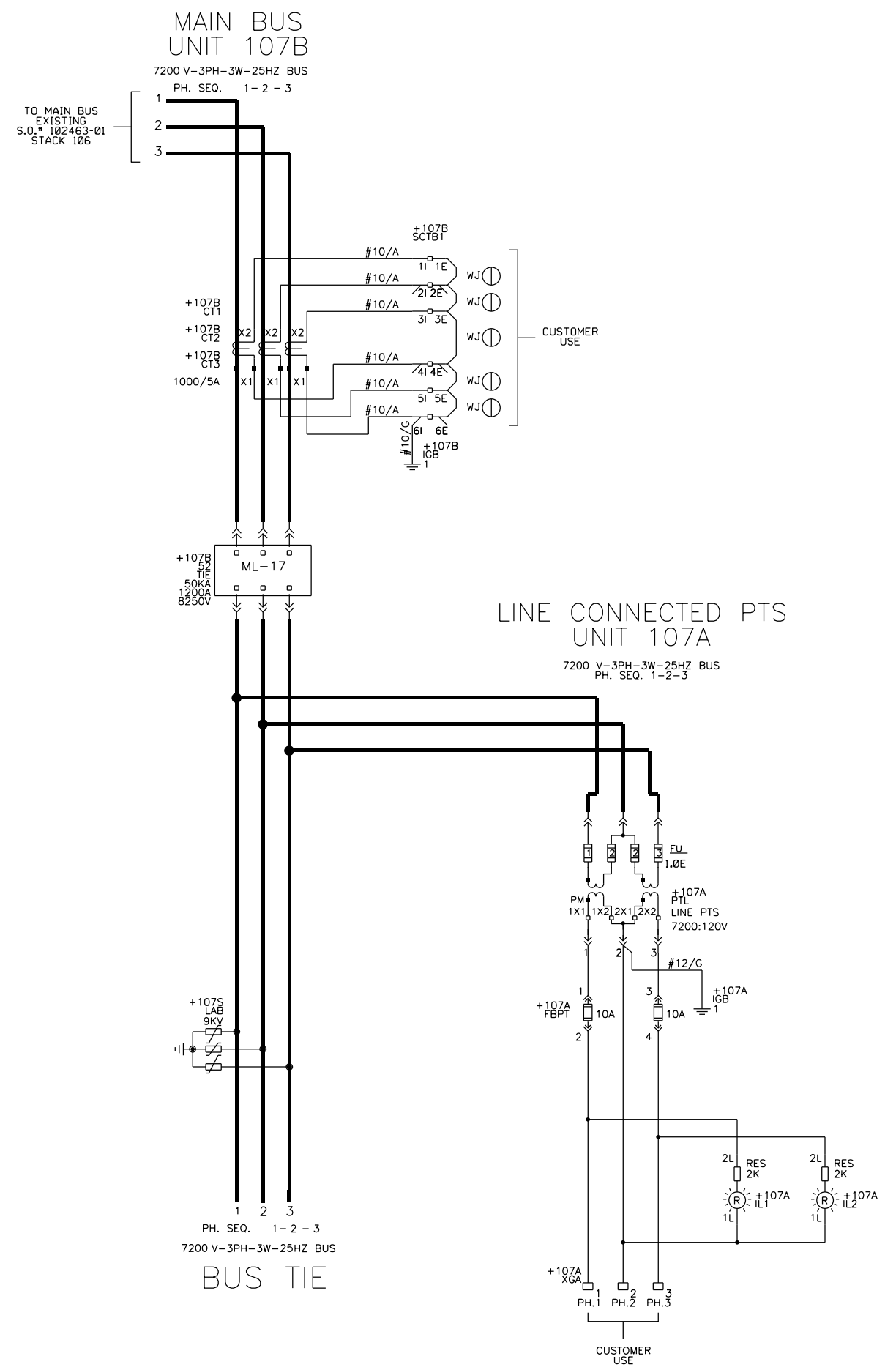
07010P00WR3713 ML17

CERTIFIED
FOR CONSTRUCTION

REVISION DESCRIPTION			
CONSTRUCTION RELEASE			
REV. BY JDS	REV. DATE 03/25/2020	REV. NO 01	ENGINEER: Julianne Stutz
DESIGNER: TONY NGUYEN		DWG. NO. 239644-01	DATE DRAWN 02-05-2020

CROSS REFERENCE	
REFERENCE No.	<p>POWELL Powered by Safety®</p> <p>Powell Electrical Systems, Inc. 7232 Airport Blvd Houston, Texas 77061 Tel:713.944.6900 Fax:713.947.4453</p>
P.O. No.	239644-01
CUSTOMER NAME, PROJECT NAME & LOCATION	
INDUSTRIAL ELECTRICAL SERVICES SWB NEW ORLEANS EXPANSION HARVEY, LA	
DRAWING DESCRIPTION	RATING, EQUIPMENT TYPE & I.D
BREAKER AND SWITCH INTERNALS	7200V-1200A-3PH-3W-25Hz-50KA PowerVac Switchgear

01
02
03
04
05
06
07
08
09
10
11
12
13
14
15
16
17
18
19
20
21
22
23
24
25
26
27
28
29
30
31
32
33
34
35
36
37
38
39
40
41



⊕ - PURCHASER TO REMOVE JUMPER AFTER CIRCUIT IS COMPLETE

EMD BUS TIE BREAKER

CERTIFIED FOR CONSTRUCTION

Confidential Information. Not to be used in any way detrimental to Powell			REVISION DESCRIPTION		
CONSTRUCTION RELEASE					
REV. BY JDS	REV. DATE 03/25/2020	REV. NO 01	ENGINEER: Julianne Stutz	DWG. NO. 239644-01	DATE DRAWN 03-02-2020
			DESIGNER: TONY NGUYEN	SH NO. 006	

CROSS REFERENCE	
REFERENCE No.	<p>POWELL Powell Electrical Systems, Inc. 7232 Airport Blvd Houston, Texas 77061 Tel:713.944.6900 Fax:713.947.4453</p>
P.O. No. 239644-01	<p>CUSTOMER NAME, PROJECT NAME & LOCATION INDUSTRIAL ELECTRICAL SERVICES SWB NEW ORLEANS EXPANSION HARVEY, LA</p>
DRAWING DESCRIPTION POWER ELEMENTARY - UNIT 107B	RATING, EQUIPMENT TYPE & I.D 7200V-1200A-3PH-3W-25Hz-50KA PowerVac Switchgear

A

B

C

D

E

F

G

H

01

02

03

04

05

06

07

08

09

10

11

12

13

14

15

16

17

18

19

20

21

22

23

24

25

26

27

28

29

30

31

32

33

34

35

36

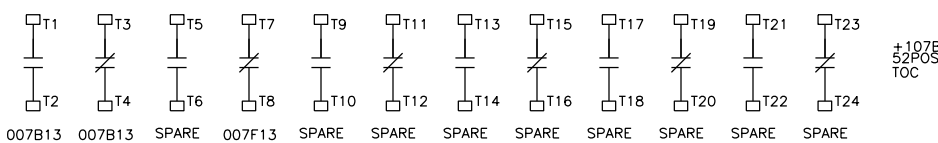
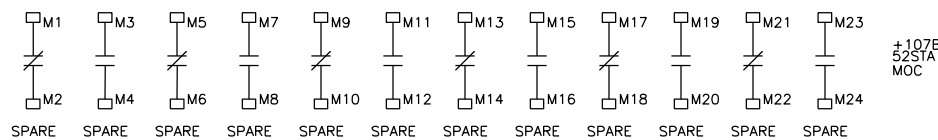
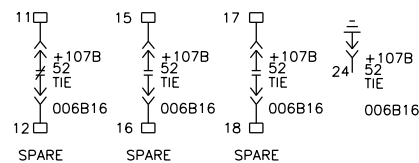
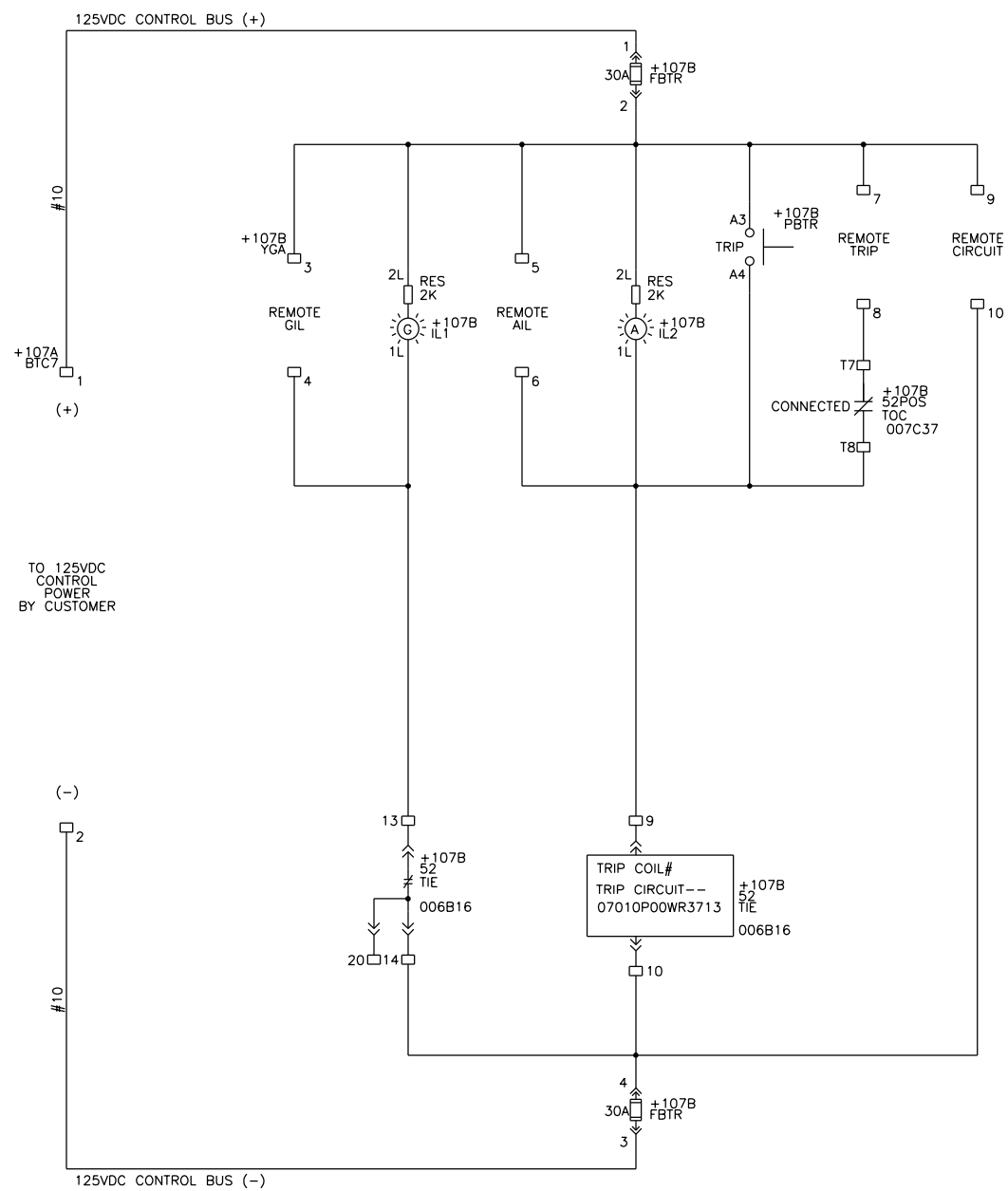
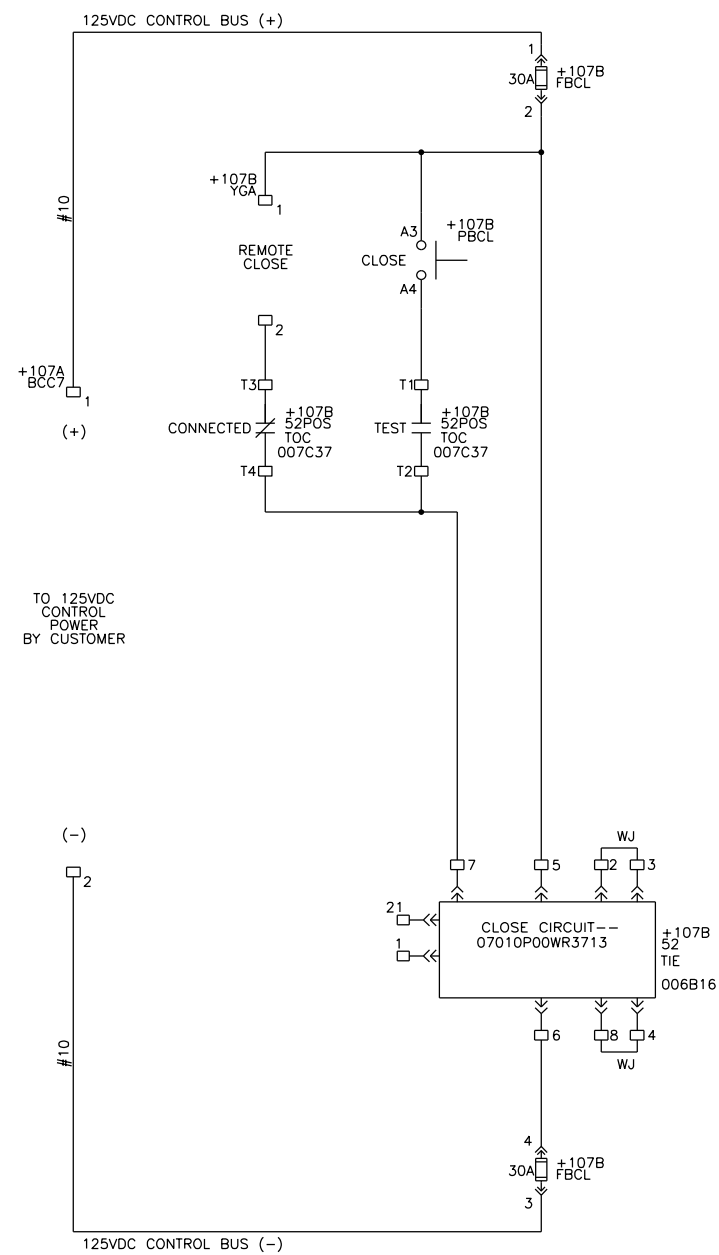
37

38

39

40

41



EMD BUS TIE BREAKER

CERTIFIED FOR CONSTRUCTION

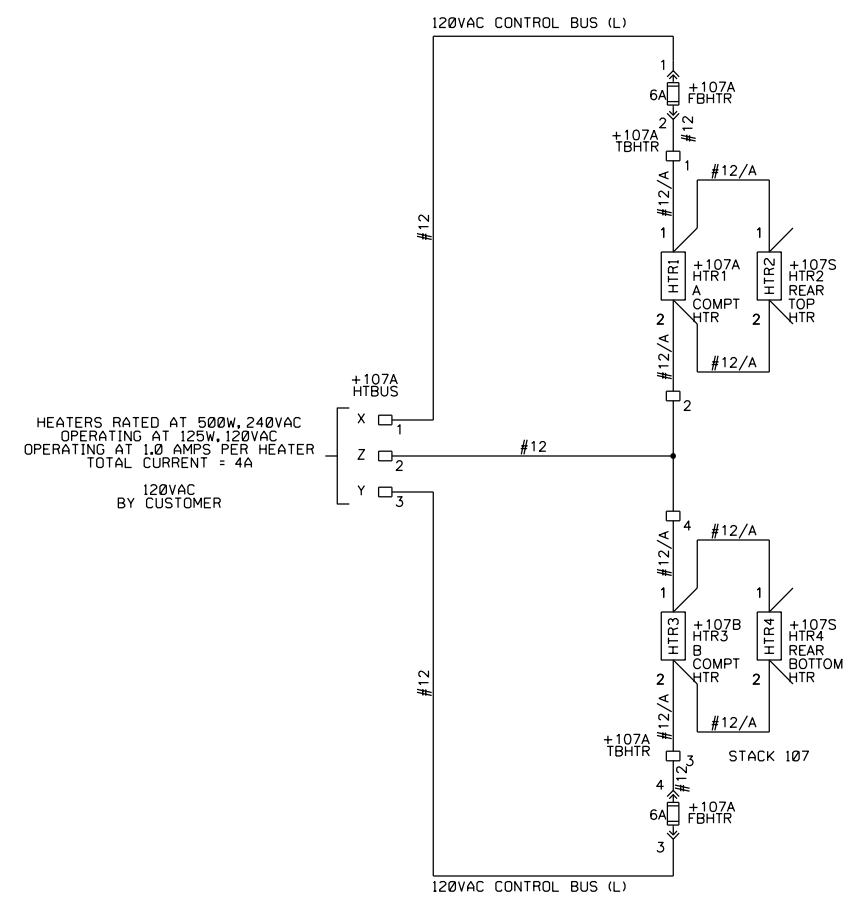
Confidential Information. Not to be used in any way detrimental to Powell

REVISION DESCRIPTION		
CONSTRUCTION RELEASE		
REV. BY JDS	REV. DATE 03/25/2020	REV. NO 01

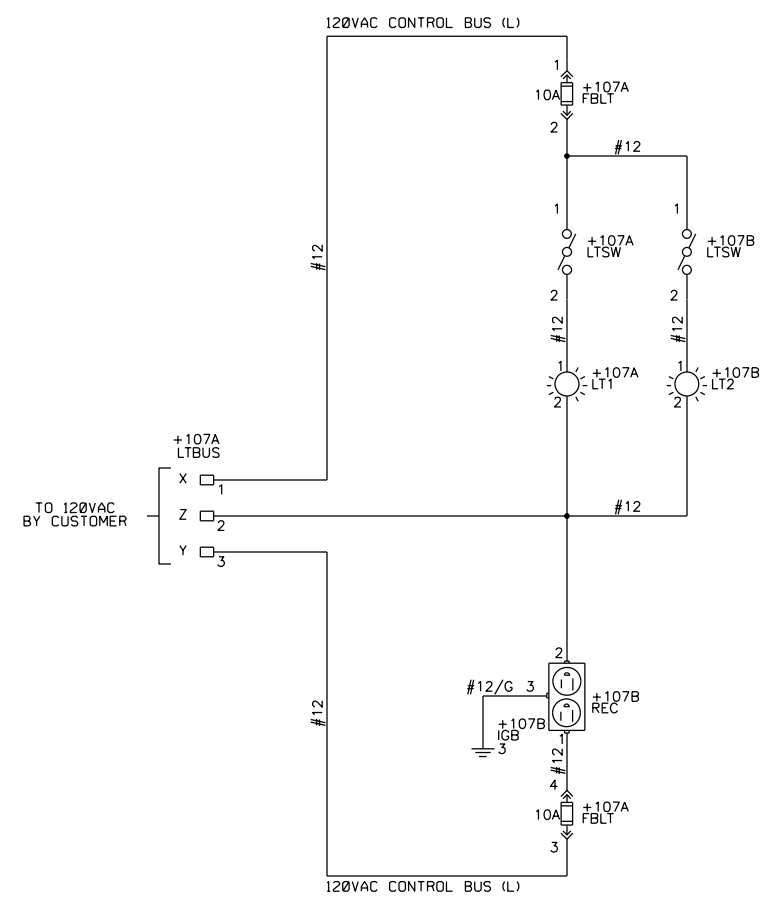
CROSS REFERENCE		
REFERENCE No.		
		Powell Electrical Systems, Inc. 7232 Airport Blvd Houston, Texas 77061 Tel:713.944.6900 Fax:713.947.4453
P.O. No. 239644-01		
CUSTOMER NAME, PROJECT NAME & LOCATION		
INDUSTRIAL ELECTRICAL SERVICES SWB NEW ORLEANS EXPANSION HARVEY, LA		
DRAWING DESCRIPTION		RATING, EQUIPMENT TYPE & I.D
BREAKER CONTROL CIRCUIT - UNIT 107B		7200V-1200A-3PH-3W-25Hz-50KA PowerVac Switchgear
ENGINEER: Julianne Stutz	DWG. NO. 239644-01	DATE DRAWN 03-03-2020
DESIGNER: TONY NGUYEN	SH NO. 007	

01
02
03
04
05
06
07
08
09
10
11
12
13
14
15
16
17
18
19
20
21
22
23
24
25
26
27
28
29
30
31
32
33
34
35
36
37
38
39
40
41

HEATER CIRCUIT



LIGHT & RECEPTACLE CIRCUIT



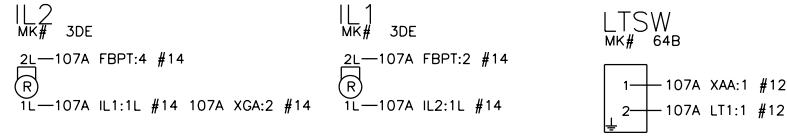
CERTIFIED
FOR CONSTRUCTION

Confidential Information.
Not to be used in any way
detrimental to Powell

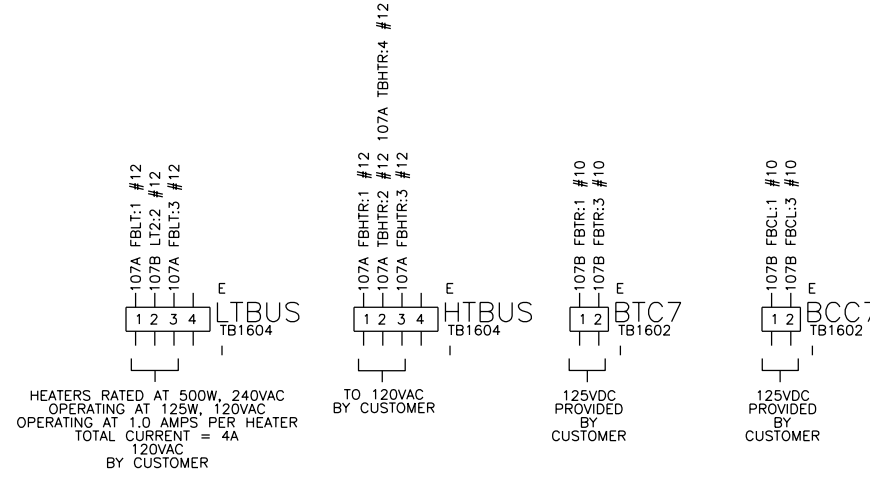
REVISION DESCRIPTION		
CONSTRUCTION RELEASE		
REV. BY JDS	REV. DATE 03/25/2020	REV. NO 01

CROSS REFERENCE		
REFERENCE No.		
		Powell Electrical Systems, Inc. 7232 Airport Blvd Houston, Texas 77061 Tel: 713.944.6900 Fax: 713.947.4453
P.O. No. 239644-01		
CUSTOMER NAME, PROJECT NAME & LOCATION		
INDUSTRIAL ELECTRICAL SERVICES SWB NEW ORLEANS EXPANSION HARVEY, LA		
DRAWING DESCRIPTION 120VAC CIRCUITS	RATING, EQUIPMENT TYPE & I.D 7200V-1200A-3PH-3W-25Hz-50KA PowerVac Switchgear	
ENGINEER: Julianne Stutz	DWG. NO. 239644-01	DATE DRAWN 03-03-2020
DESIGNER: TONY NGUYEN	SH NO. 008	

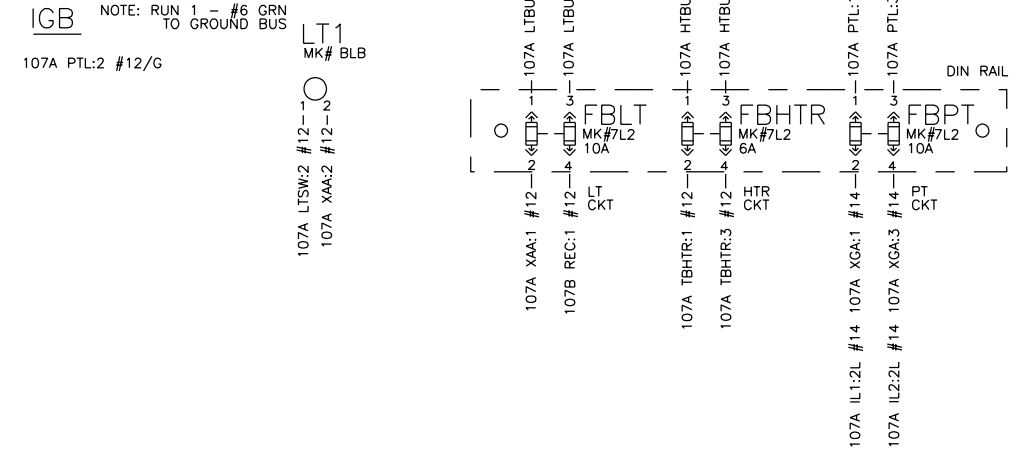
UNIT 107A
DOOR (REAR VIEW)



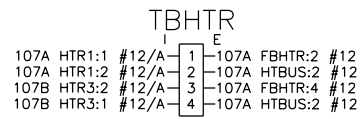
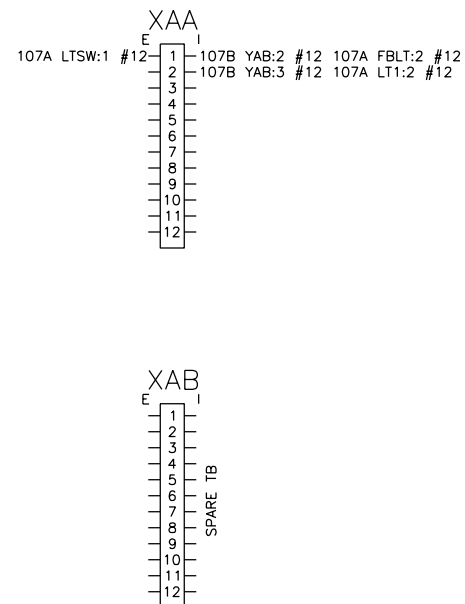
UNIT 107A
OVERHEAD PANEL



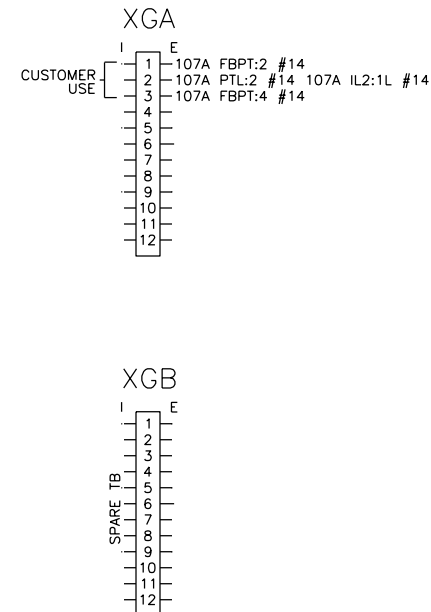
UNIT 107A
INTERNAL PANEL



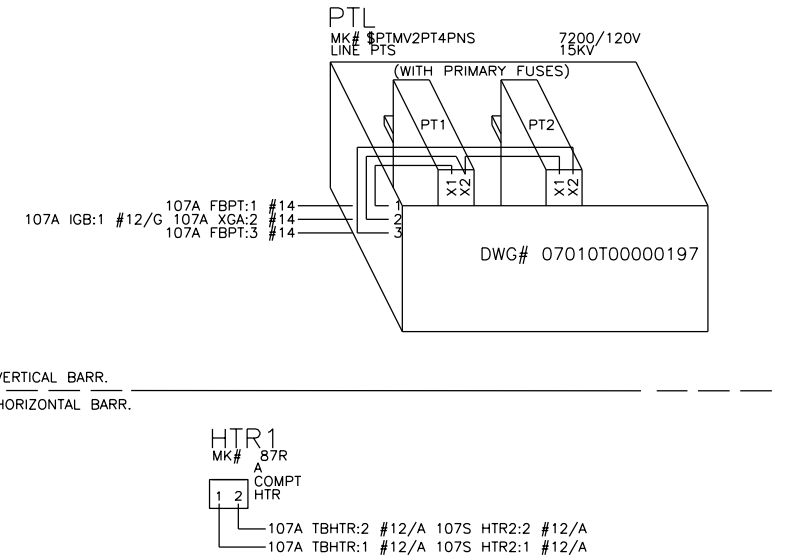
UNIT 107A
LEFT SIDE PANEL



UNIT 107A
RIGHT SIDE PANEL



UNIT 107A
FRONT COMPARTMENT



VERTICAL BARR. ---
HORIZONTAL BARR. - - - -

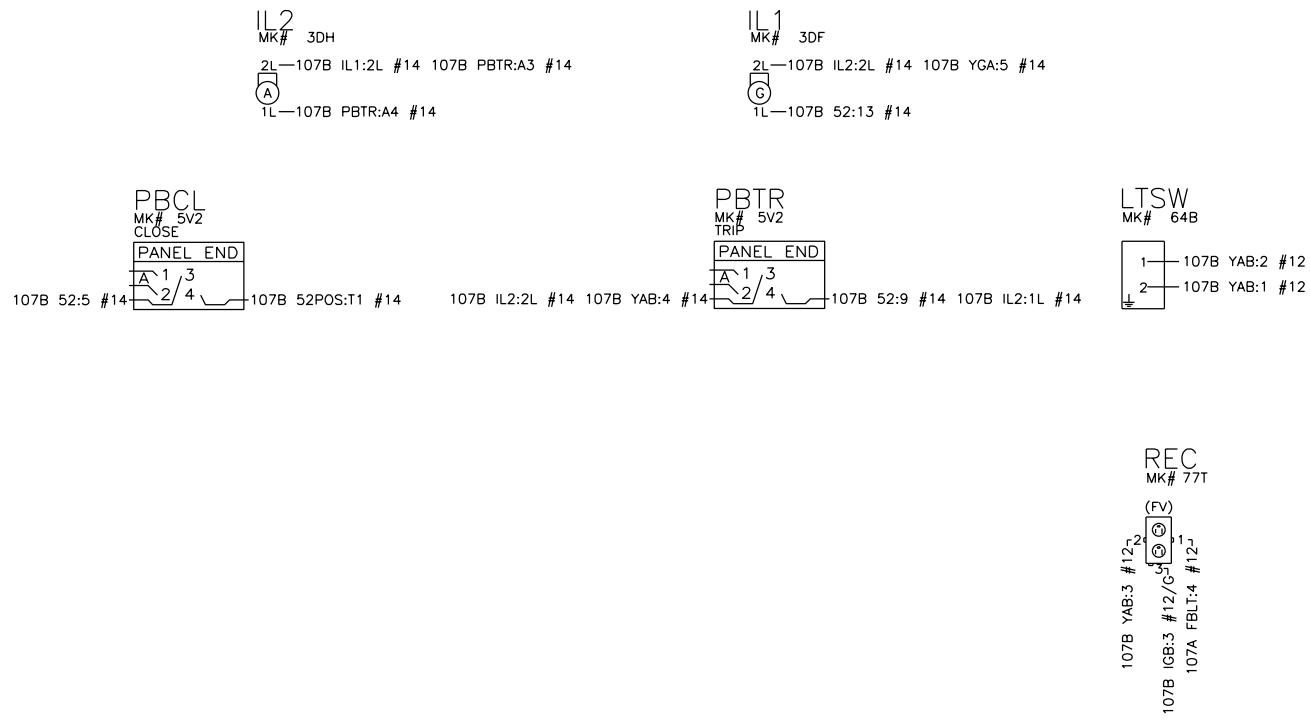
CERTIFIED FOR
CONSTRUCTION

NOTE: REFERENCE PANEL LAYOUT FOR ACTUAL LOCATION OF THE DEVICES
PROVIDE CLEAR PLASTIC COVERS FOR ALL TERMINAL BLOCKS. HEAVY DUTY TB. CAN HAVE OPAQUE COVERS.

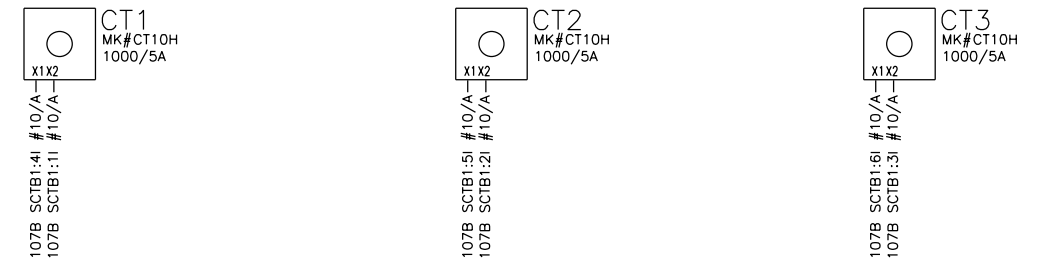
Confidential Information. Not to be used in any way detrimental to Powell	REVISION DESCRIPTION			CROSS REFERENCE		
	REV. BY	REV. DATE	REV. NO	REFERENCE No.	ENGINEER: Julianne Stutz	DATE DRAWN
			00	DESIGNER: TONY NGUYEN	DWG. NO. 239644-01	03-26-2020
					SH NO. 009	

CROSS REFERENCE		
REFERENCE No.	Powell Electrical Systems, Inc. 7232 Airport Blvd Houston, Texas 77061 Tel:713.944.6900 Fax:713.947.4453	
P.O. No. 239644-01	CUSTOMER NAME, PROJECT NAME & LOCATION INDUSTRIAL ELECTRICAL SERVICES SWB NEW ORLEANS EXPANSION HARVEY, LA	
DRAWING DESCRIPTION UNIT 107A WIRING DIAGRAM PT ROLLOUT	RATING, EQUIPMENT TYPE & I.D 7200V-1200A-3PH-3W-25Hz-50KA PowerVac Switchgear	

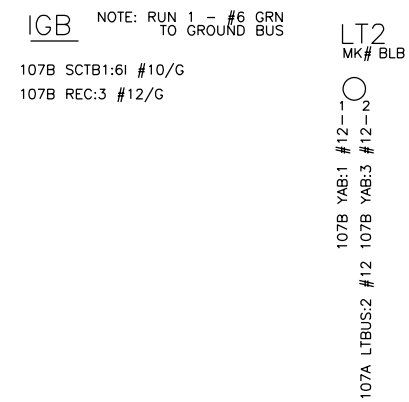
UNIT 107B
DOOR (REAR VIEW)



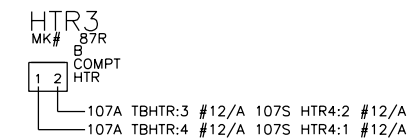
UNIT 107B
FRONT COMPARTMENT



UNIT 107B
INTERNAL PANEL



VERTICAL BARR.
HORIZONTAL BARR.



NOTE: REFERENCE PANEL LAY OUT FOR ACTUAL LOCATION OF THE DEVICES
PROVIDE CLEAR PLASTIC COVERS FOR ALL TERMINAL BLOCKS. HEAVY DUTY TB. CAN HAVE OPAQUE COVERS.

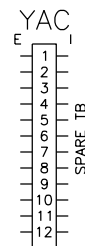
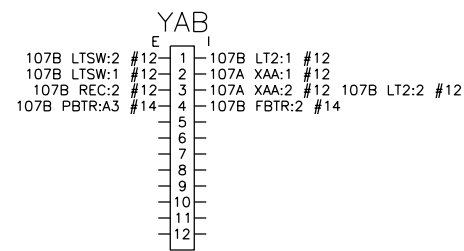
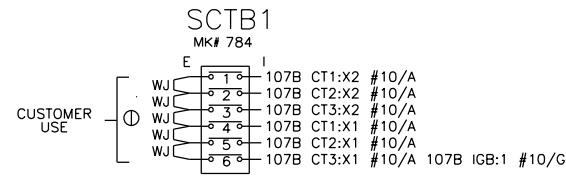
CERTIFIED FOR
CONSTRUCTION

REVISION DESCRIPTION			
REV. BY	REV. DATE	REV. NO	
		00	

Confidential Information. Not to be used in any way detrimental to Powell		ENGINEER: Julianne Stutz	DWG. NO.: 239644-01	DATE DRAWN: 03-26-2020
		DESIGNER: TONY NGUYEN	SH NO.: 010	

CROSS REFERENCE	
REFERENCE No.	POWELL Powell Electrical Systems, Inc. 7232 Airport Blvd Houston, Texas 77061 Tel: 713.944.6900 Fax: 713.947.4453
P.O. No. 239644-01	CUSTOMER NAME, PROJECT NAME & LOCATION INDUSTRIAL ELECTRICAL SERVICES SWB NEW ORLEANS EXPANSION HARVEY, LA
DRAWING DESCRIPTION UNIT 107B WIRING DIAGRAM EMD BUS TIE BREAKER	RATING, EQUIPMENT TYPE & I.D 7200V-1200A-3PH-3W-25Hz-50KA PowerVac Switchgear

UNIT 107B
LEFT SIDE PANEL



⊖ - PURCHASER TO REMOVE JUMPER AFTER CIRCUIT IS COMPLETE

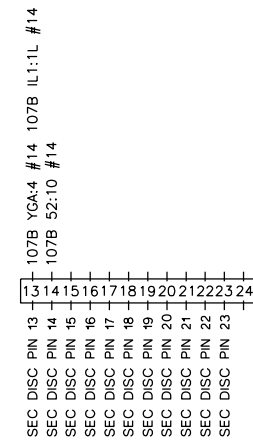
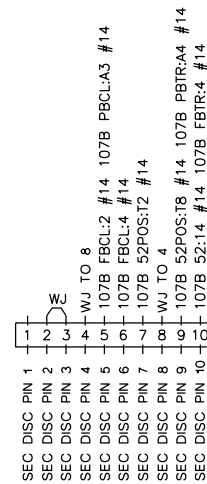
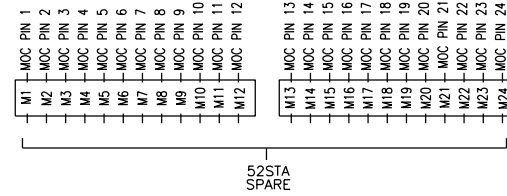
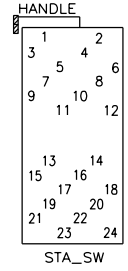
NOTE: REFERENCE PANEL LAY OUT FOR ACTUAL LOCATION OF THE DEVICES
 PROVIDE CLEAR PLASTIC COVERS FOR ALL TERMINAL BLOCKS. HEAVY DUTY TB. CAN HAVE OPAQUE COVERS.

UNIT 107B
CROSS TROUGH

ORDER#07010T00000124
 MK# SS1
 MOC

52STA

NOTE: WIRING AND LOGS FOLLOW STANDARD WIRING SPEC. REFERENCE L1 SHEET FOR ACTUAL SWITCH LOCATION IN FRONT COMPARTMENT. REFERENCE PANEL LAYOUT DRAWING.

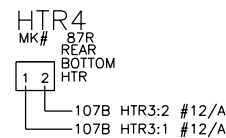
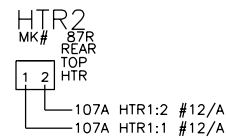


NOTE: WIRETAGS FROM THE SECONDARY DISCONNECT ARE THE SAME AS THE PIN #. ALL OTHER WIRE TAGS FROM THE TERMINAL BLOCK REFERENCE L1 SHEET FOR STANDARD TAG TYPE.

ORDER #0144D2075G003
 DWG #0209B4052G003

NOTE: SEC DISC PIN24 GROUNDED AT GRD SHOE (GREEN)

UNIT 107S
REAR COMPARTMENT

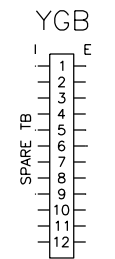
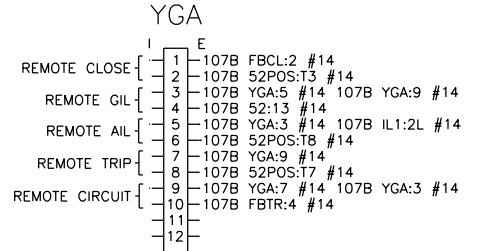
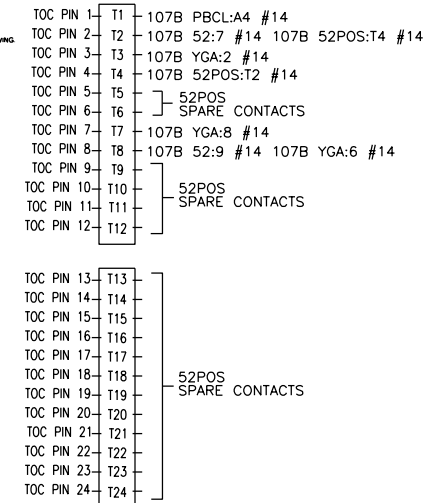
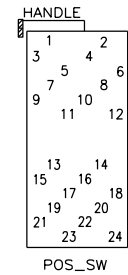


UNIT 107B
RIGHT SIDE PANEL

ORDER#07010T00000132
 MK# PS1
 TOC

52POS

NOTE: WIRING AND LOGS FOLLOW STANDARD WIRING SPEC. REFERENCE L1 SHEET FOR ACTUAL SWITCH LOCATION IN FRONT COMPARTMENT. REFERENCE PANEL LAYOUT DRAWING.

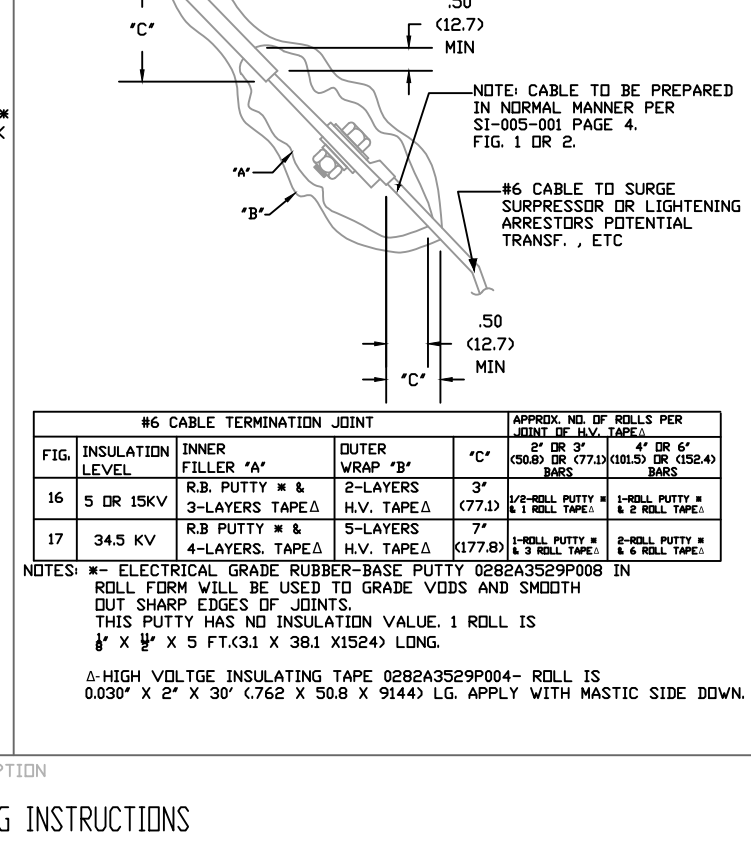
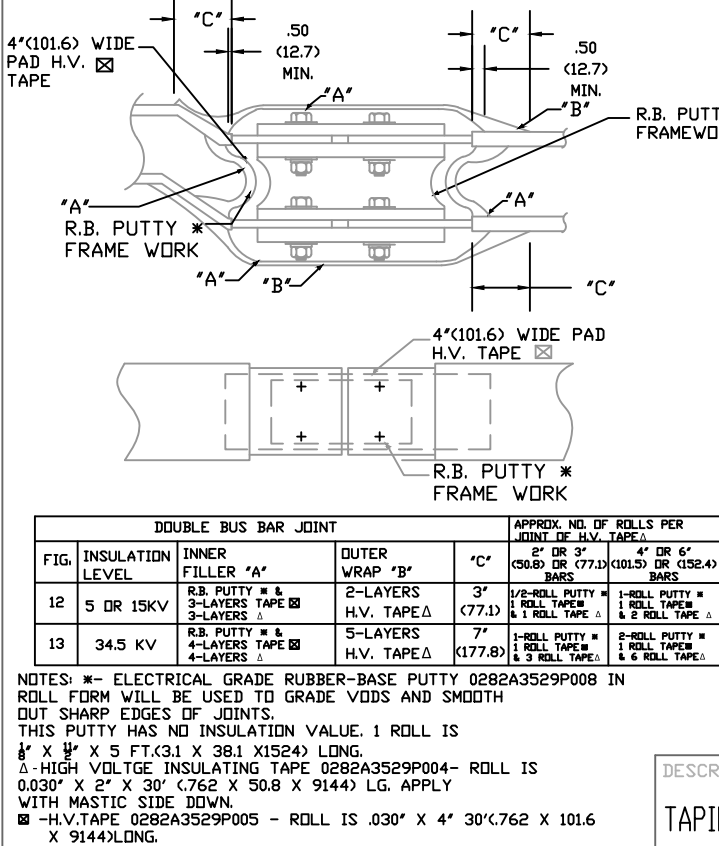
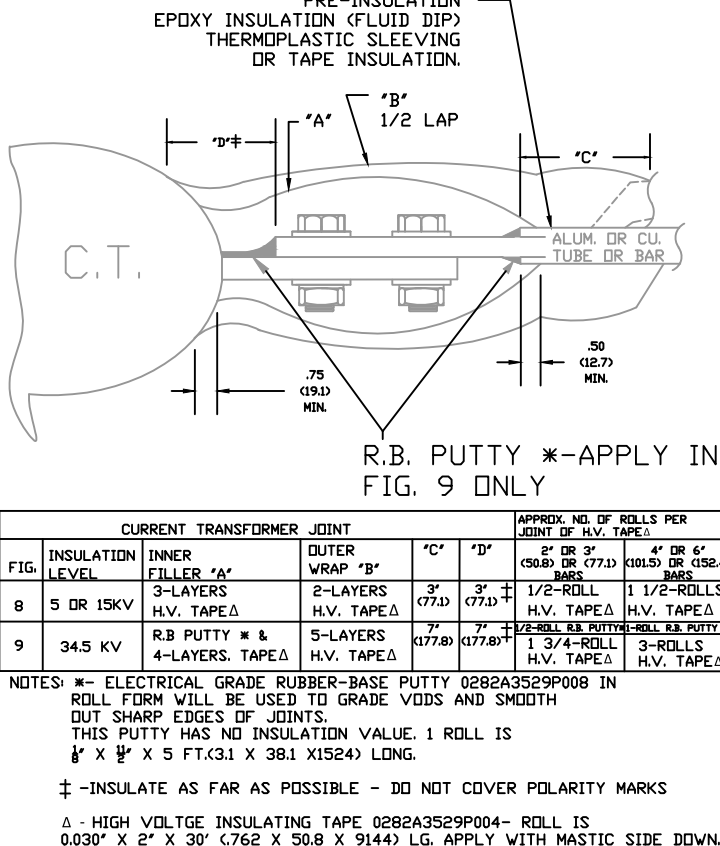
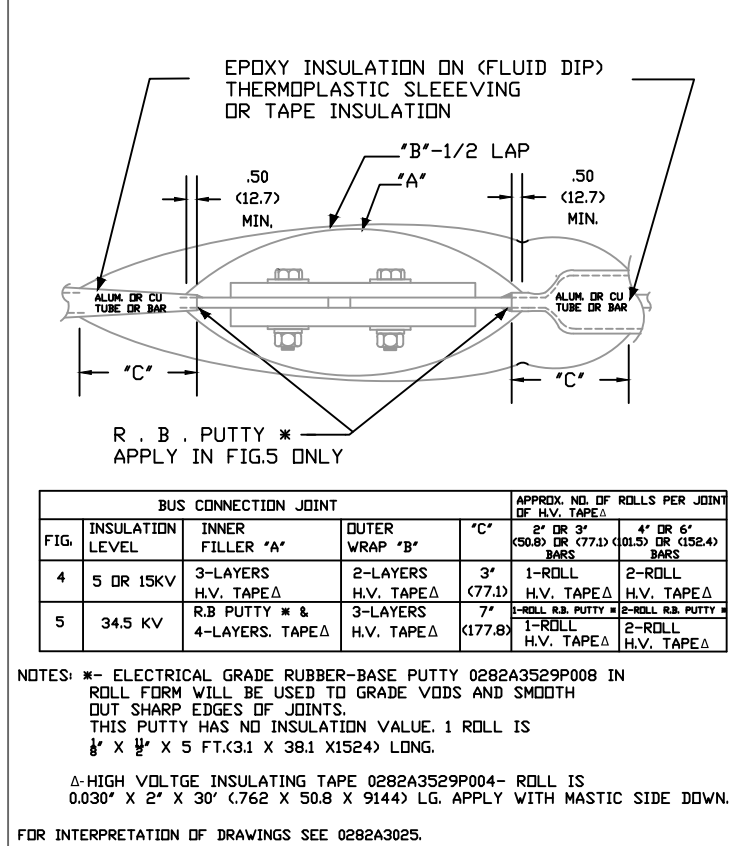
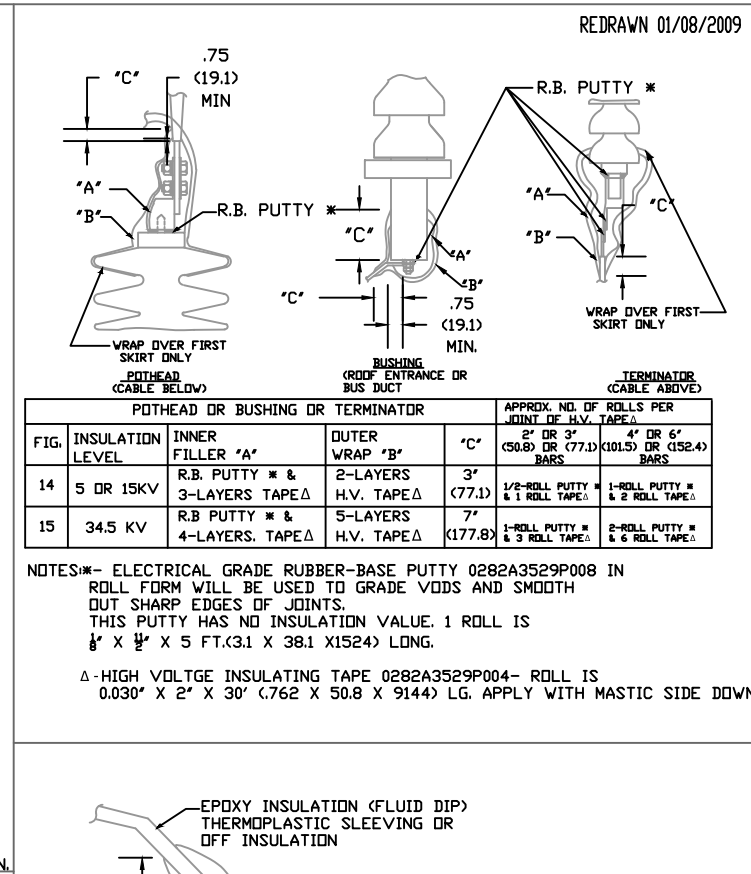
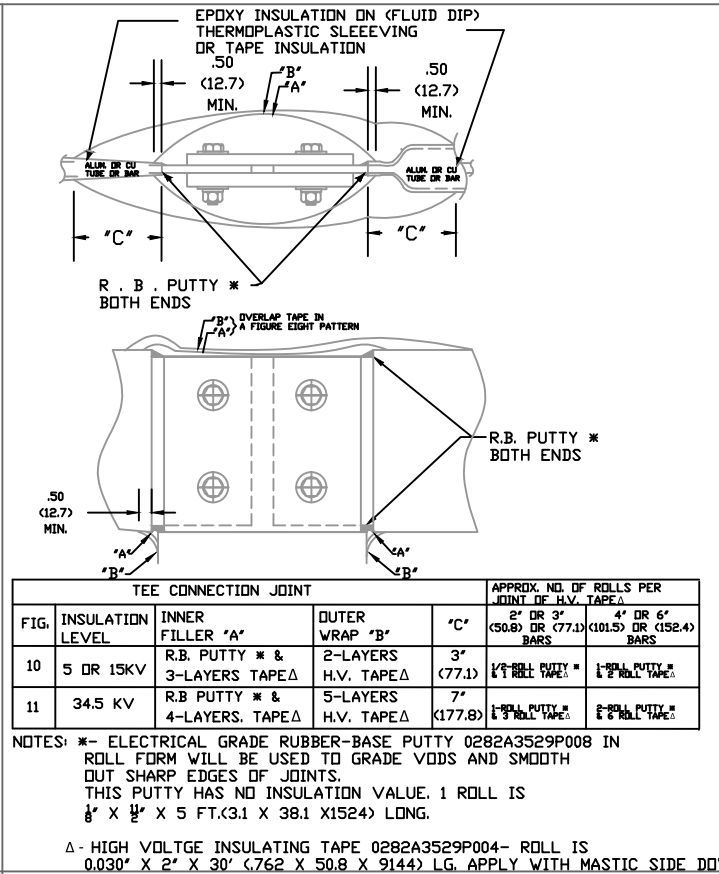
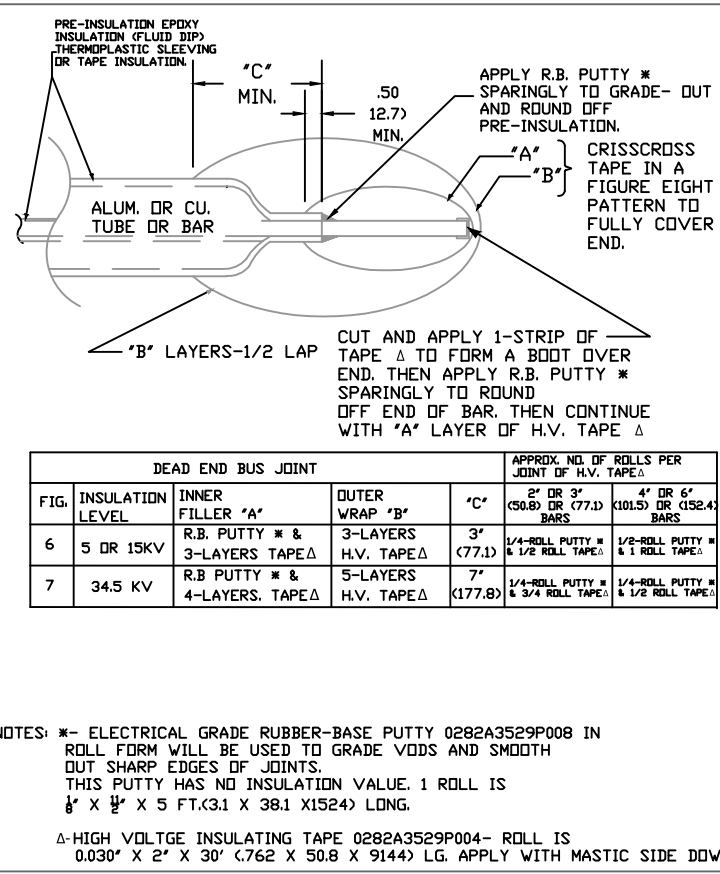
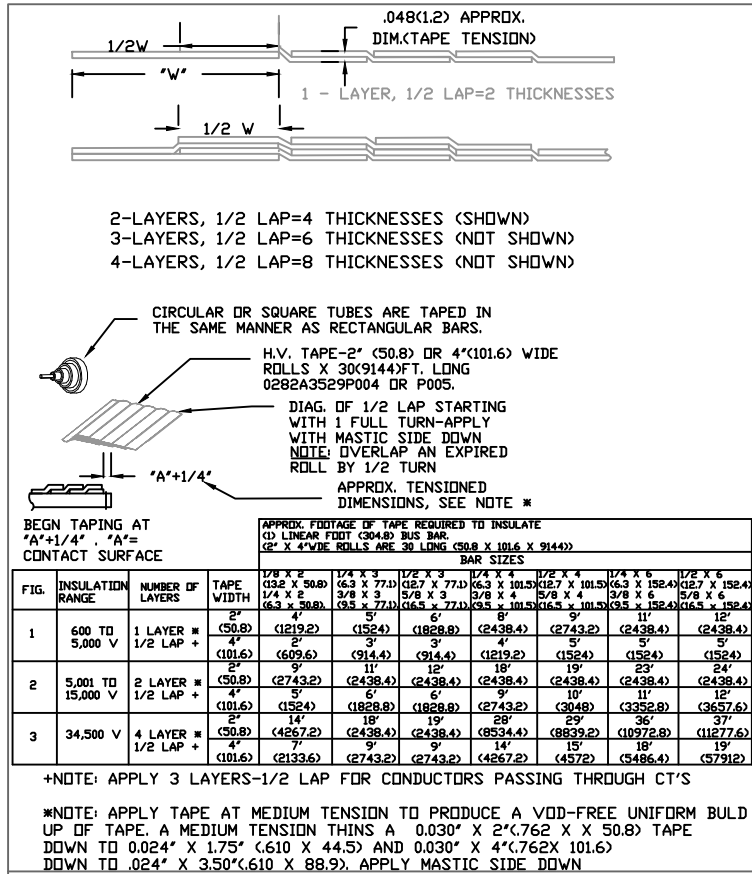


CERTIFIED FOR
CONSTRUCTION

REVISION DESCRIPTION		
REV. BY	REV. DATE	REV. NO
		00

CROSS REFERENCE		
REFERENCE No. Powell Electrical Systems, Inc. 7232 Airport Blvd Houston, Texas 77061 Tel:713.944.6900 Fax:713.947.4453		
P.O. No. 239644-01		
CUSTOMER NAME, PROJECT NAME & LOCATION INDUSTRIAL ELECTRICAL SERVICES SWB NEW ORLEANS EXPANSION HARVEY, LA		
DRAWING DESCRIPTION UNIT 107B WIRING DIAGRAM EMD BUS TIE BREAKER	RATING, EQUIPMENT TYPE & I.D 7200V-1200A-3PH-3W-25Hz-50KA PowerVac Switchgear	
ENGINEER: Julianne Stutz DESIGNER: TONY NGUYEN	DWG. NO. 239644-01 SH NO. 011	DATE DRAWN 03-26-2020

Confidential Information.
 Not to be used in any way detrimental to Powell



NOTES: Confidential information. Must not be used in any way detrimental to Powell Electrical Systems, Inc.

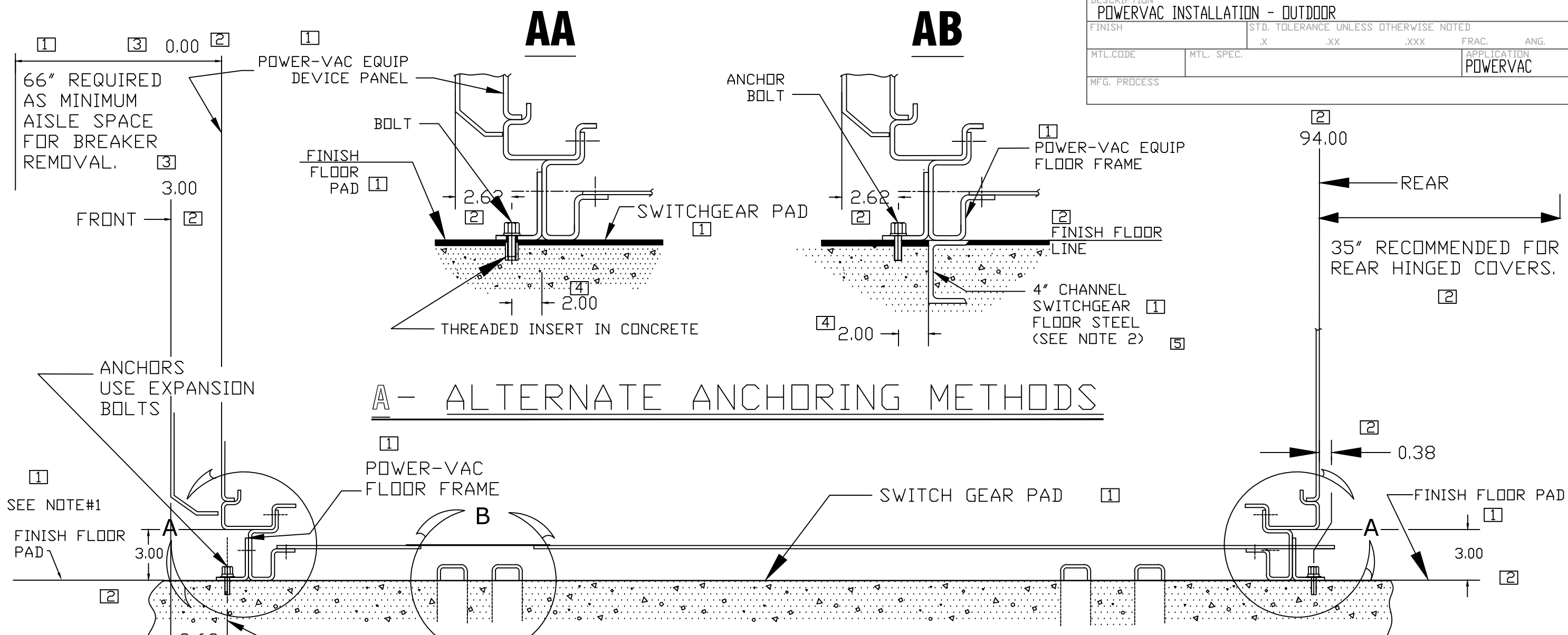
POWELL
Powered by Safety

Powell Electrical Systems, Inc.
8550 Mosley Drive
Houston, Texas 77075-1180
Tel: 713.944.6900 Fax: 713.947.4453

DESCRIPTION
TAPING INSTRUCTIONS

REV. NO.	BY:	DATE:	REVISION:
0			
DRAWN DATE	JJP		DWG.#
01/08/2010			0144D2907N001

DESCRIPTION POWERVAC INSTALLATION - OUTDOOR				
FINISH	STD. TOLERANCE UNLESS OTHERWISE NOTED			
	.X	.XX	.XXX	FRAC. ANG.
MTL.CODE	MTL. SPEC.			APPLICATION POWERVAC
MFG. PROCESS				



A - ALTERNATE ANCHORING METHODS

OUTDOOR ANCHORING METHOD.

VIEW - B - TYPICAL FOR CONDUIT LEADS

NOTE
 #1. THE FINISHED FLOOR PAD MUST PROJECT 66 INCHES BEYOND THE FRONT OF THE P/V EQUIPMENT DEVICE PANEL. THE ELEVATION MUST BE LEVEL WITH THE BOTTOM OF P/V FLOOR FRAME AND SWITCHGEAR PAD

#2. ALL FLOOR CHANNELS ARE FURNISHED BY THE CUSTOMER.

NOTE
 #3 THE FOUNDATION MUST BE FLAT AND LEVEL IN ALL PLANES. PERPENDICULAR ON BOTH AXIS TO WITHIN .25" OVER A 10' SPAN.

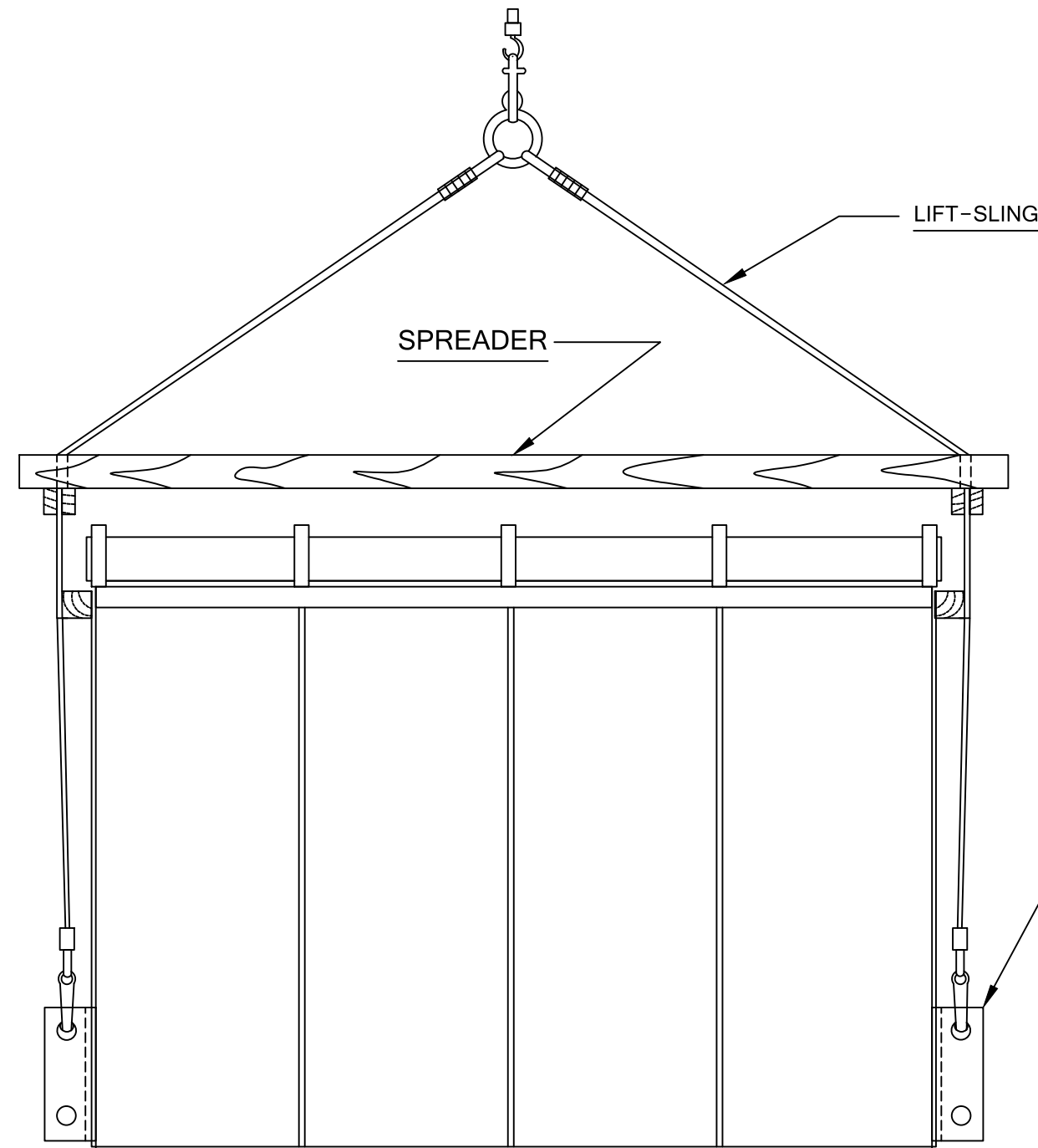
NOTES: Confidential information. Must not be used in any way detrimental to Powell Electrical Systems, Inc.



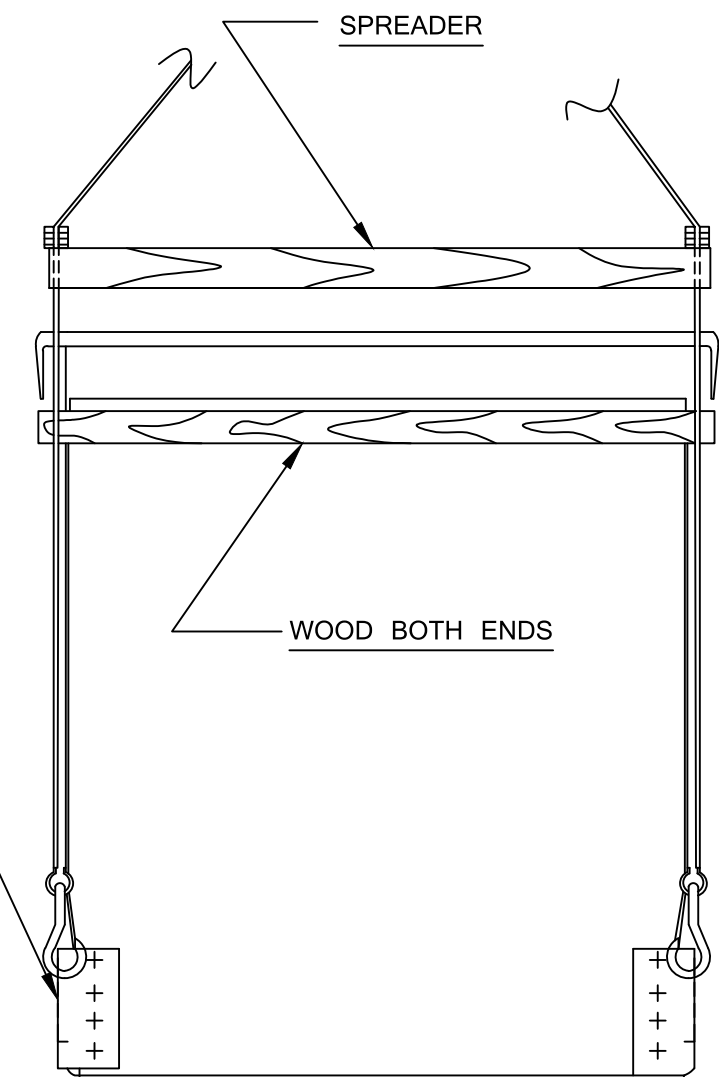
Powell Electrical Systems, Inc.
 8550 Mosley Drive
 Houston, Texas 77075-1180
 Tel: 713.944.6900 Fax: 713.947.4453

REV. NO.	BY:	DATE:	REVISION:
6	GJ	02/27/01	DCNE00439 REL
THIS DRAWING IS DRAWN TO A SCALE OF 1=1, THE BORDER IS SCALED UP 1 TIMES TO FIT			DRAWN DATE: NSD 6/2/2009 DWG.#: 0209B4644N001

DESCRIPTION POWERVAC HANDLING - LIFT JACKING METHOD - OUTDOOR					
FINISH		STD. TOLERANCE UNLESS OTHERWISE NOTED			
		.X	.XX	.XXX	FRAC. ANG.
MTL.CODE	MTL. SPEC.			APPLICATION POWERVAC	
MFG. PROCESS					



FRONT VIEW



SIDE VIEW

LIFT ANGLE

NOTES: Confidential information. Must not be used in any way detrimental to Powell Electrical Systems, Inc.

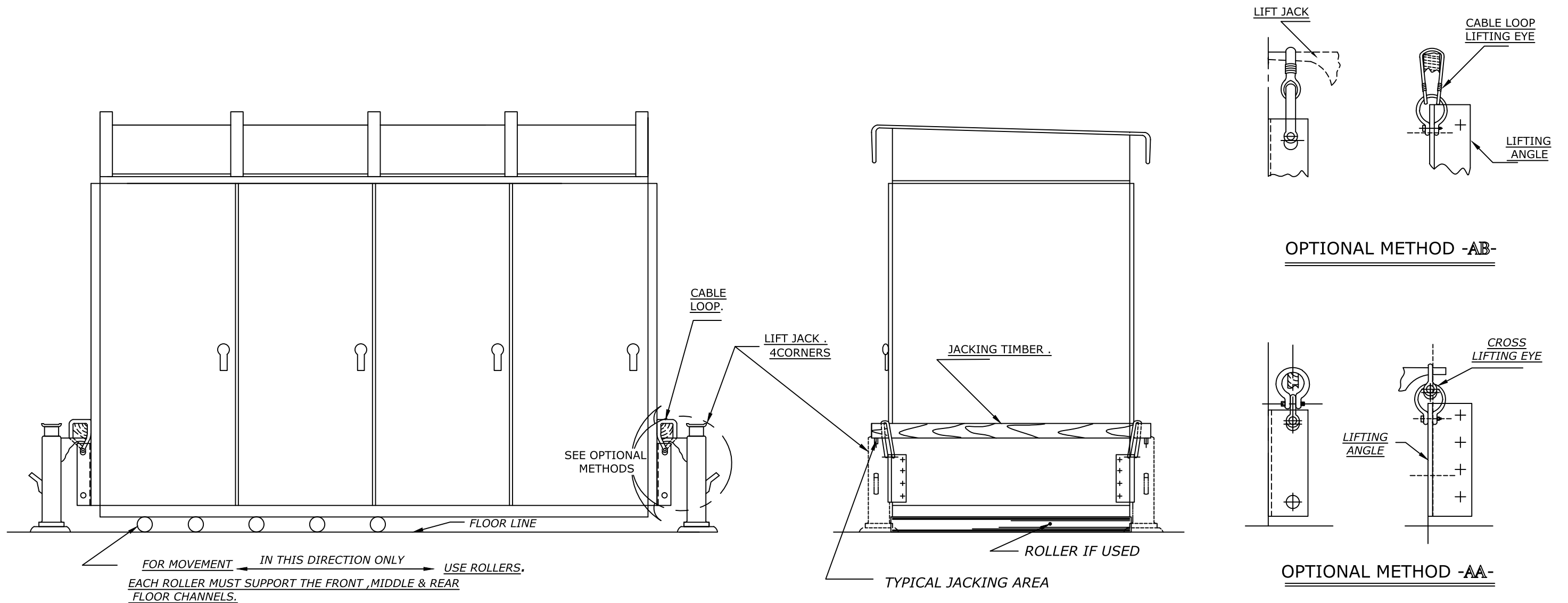


Powell Electrical Systems, Inc.
 8550 Mosley Drive
 Houston, Texas 77075-1180
 Tel: 713.944.6900 Fax: 713.947.4453

REV. NO. 1	BY: LH	DATE: 07/06/88	REVISION: 4 STACK WAS 5 STACK DCN E88163, SH.2
THIS DRAWING IS DRAWN TO A SCALE OF 1=1, THE BORDER IS SCALED UP 1 TIMES TO FIT		DRAWN DATE 6/2/2009	DWG.# 0209B4646N001

DESCRIPTION HANDLING-LIFT JACKING METHOD-OUTDOOR				
FINISH	STD. TOLERANCE UNLESS OTHERWISE NOTED			
	.X	.XX	.XXX	FRAC. ANG.
MTL. CODE	MTL. SPEC.			APPLICATION POWERVAC
MFG. PROCESS				

SEE FIG 18.GEK39672(0209B4650)FOR PROCEDURE FOR
ADDING TO OUTDOOR SWITCHGEAR



LIFT JACKING METHOD

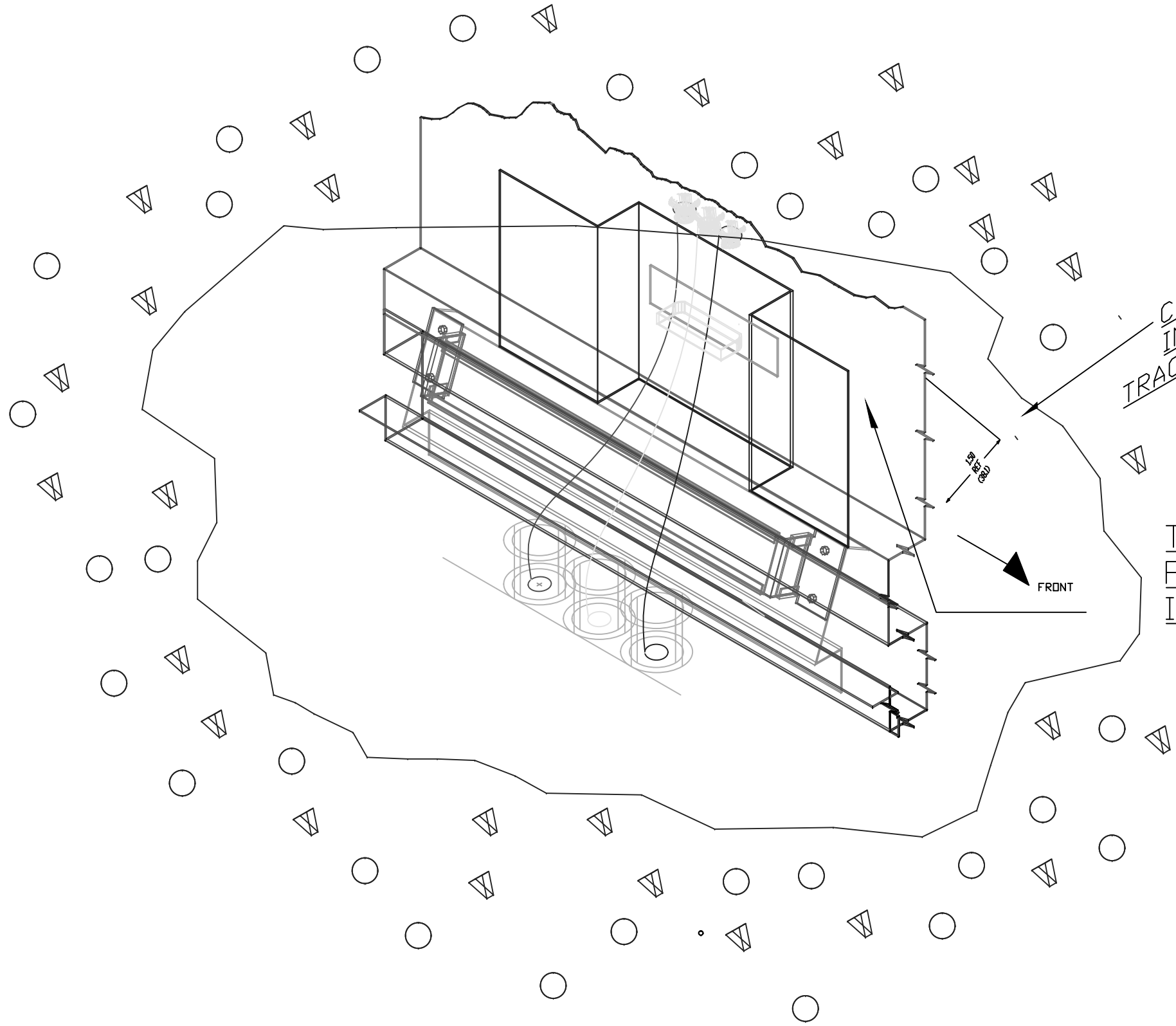
NOTES:Confidential information. Must not be used in any way detrimental to Powell Electrical Systems, Inc.



Powell Electrical Systems, Inc.
8550 Mosley Drive
Houston, Texas 77075-1180
Tel: 713.944.6900 Fax: 713.947.4453

REV. NO. 2	BY: TDT	DATE: 01/08/1992	REVISION: ADDED 18, GEK39672620984650 DCN#E91003
THIS DRAWING IS DRAWN TO A SCALE OF 1=1, THE BORDER IS SCALED UP 1 TIMES TO FIT		DRAWN DATE GBR 6/2/2009	DWG.# 0209B4647N001

DESCRIPTION POWERVAC INSTALLATION - CONTROL WIRING			
FINISH NONE		STD. TOLERANCE UNLESS OTHERWISE NOTED .X ±.1(0.5mm) .XX ±.03(0.15mm) .XXX ±.031 FRAC. ±1/32 ANG.±5°	
MTL. CODE 11HRPO	MTL. SPEC. HRPO SHEET ASTM A569 11GA	APPLICATION POWERVAC	
MFG. PROCESS NONE			



CLEARANCE FROM
INSIDE WALL TO
TRACK MECHANISM ASM.

TRACK MECHANISM
PRESENT IF BREAKER OR ROLLOUT
IN BOTTOM COMPARTMENT.

NOTES: Confidential information. Must not be used in any way detrimental to Powell Electrical Systems, Inc.



Powell Electrical Systems, Inc.
8550 Mosley Drive
Houston, Texas 77075-1180
Tel: 713.944.6900 Fax: 713.947.4453

REV. NO. 1	BY DB	DATE 07/15/98	REVISION: DCNE98453
THIS DRAWING IS DRAWN TO A SCALE OF 1=1, THE BORDER IS SCALED UP 1 TIMES TO FIT			DRAWN DATE RTT 01/28/2009
			DWG.# 0209B4653N001

THE FOLLOWING INSULATION SYSTEM INVOLVES THE USE OF HIGH VOLTAGE INSULATING TAPE & ELECTRICAL GRADE RUBBER – BASED PUTTY*. 0282A3529, PTS 4, 5 & 8. THE HIGH VOLTAGE TAPE WILL BE USED BOTH AS A FILLER AND ALSO AS THE FINAL INSULATION COVERING. OVERLAP ANY EXPIRED ROLL BY 1/2 TURN.

DESCRIPTION TAPING INSTRUCTIONS			
FINISH NONE	STD. TOLERANCE UNLESS OTHERWISE NOTED .X ±.1(0.5mm) .XX ±.03(0.15mm) .XXX ±.031 FRAC. ±1/32 ANG.±5°		
MTL.CODE 11HRPO	MTL. SPEC. HRPO SHEET ASTM A569 11GA	APPLICATION POWERVAC	
MFG. PROCESS NONE			

*NOTE: ELECTRICAL GRADE PUTTY WILL BE USED ONLY WHEN REQUIRED TO GRADE VOIDS AND SMOOTH OUT SHARP EDGES OF JOINTS AND POTHEADS. TERMINATOR OF ENTRANCE BUSHING CONNECTIONS.

SECT. 1 : BUS BARS 5 & 15KV

APPLY APPROPRIATE NUMBER OF LAYERS OF HIGH VOLTAGE TAPE 0282A3529 PTS 4 OR 5 (2" OR 4" (50.8 OR 101.6) WIDE) MASTIC SIDE DOWN. AT A MEDIUM (Δ) TENSION TO BUS BARS PER 0144D2907 FIG. 1 (5KV) OR FIG. 2 (15KV).

NOTE: ALL BUS BARS ARE TO ROUND EDGE TYPE.

SECT. 2 : TAPED JOINTS 5 & 15KV – 0144D2907 FIGS. 4, 6, 8, 10, 12, 14, 16

STEP (A) – FILLER 5 & 15KV

APPLY THREE (3) LAYERS OF 1/2 LAP OF HIGH VOLTAGE TAPE 0282A3529 PTS 4 OR 5 (2" OR 4" (50.8 OR 101.6) WIDE), MASTIC SIDE DOWN AT A MEDIUM (Δ) TENSION OVER ALL BOLT HEADS, NUTS BARS AND SPLICE PLATES TO FORM A SMOOTH SURFACE FOR TAPING (SEE *NOTE ABOVE). ANY BARS WITH SHARP BURRS AND EDGES MUST BE DEBURRED AND SMOOTHED BEFORE APPLYING TAPE.

STEP (B) – OUTERWRAP 5 & 15KV

APPLY TWO (2) LAYERS, 1/2 LAP OF HIGH VOLTAGE TAPE 0282A3529 PT 4 (2" (50.8) WIDE) , MASTIC SIDE DOWN. MAINTAINING A MEDIUM (Δ) TENSION ON THE TAPE WHILE WRAPPING. BEGIN THE WRAP AWAY FROM THE JOINTS OVERLAPPING THE ADJACENT INSULATION (EPOXY FLUID DIP, THERMOPLASTIC SLEEVING, CABLE OR TAPE) BY 3" (76.2) MINIMUM. WHERE POTHEADS OR PORCELAIN BUSHINGS, ETC., ARE TO BE WRAPPED, THE TAPE MUST OVERLAP THE PORCELAIN SKIRT, WHEN COMPLETING THE WRAPPING OF THE JOINT DO NOT KEEP TENSION ON THE LAST 2" (50.8) OR 3" (76.2) OF TAPE. THESE LAST FEW INCHES SHOULD BE LAID IN PLACE WITHOUT TENSION. THIS WILL PREVENT THE TAPE END FROM LIFTING.

NO OTHER TAPING OR PAINT IS REQUIRED.

Δ NOTE: MEDIUM TENSION THINS A .030" X 2"(.762 X 50.8), TAPE TO APPROX. .024" X 1 3/4" (.610 X 44.5). AND .030" x 4" (.762 x 101.6) TAPE TO .024" X 3 1/2 (.610 X 88.9).

NOTE: ALL DIMENSIONS IN BRACKETS (XX.X) ARE IN MILLIMETERS.



REV. NO. 3	BY: DB	DATE: 07/16/98	REVISION: DCN E98453
THIS DRAWING IS DRAWN TO A SCALE OF 1=1, THE BORDER IS SCALED UP 1 TIMES TO FIT			DRAWN DATE RTT 01/28/2009
			DWG.# 0282A4528N001

Attachment 10.e

Volume 4, SSYRD Reference Documentation

Attachment – 1420Vol4_SSYRD-1024630101_PowerVac.pdf

General Electric Company

SUMMARY OF

CUSTOMER: SEWAGE AND WATER BOARD OF NEW ORLEANS
CUSTOMER ORDER #: 6714883-00
LOCATION: S-WB CARROLTON POWER PLANT
STATION: BUS TIE UNIT 5-6-7
CONTRACTOR:
CONSULTANT:
DISTRIBUTOR:
DISTRIBUTOR ORDER #:

PENALTY: NO
CUSTOMER INSPECTION: NO
WITNESS TEST: NO
EQUIPMENT DUTY: Standard
CERTIFIED TEST REPORT: YES
COMPLIANCE NO

LINEUP NO: 01

CONSTRUCTION: Outdoor (Non Walk In)
RATED: 7200V-3PH-3W-25HZ-500MVA
EQUIPMENT: PowerVac Switchgear

MAIN BUS MATERIAL: LU001 - 1200A/CU
NEUTRAL BUS MATERIAL: LU001 - N/A
GROUND BUS MATERIAL: LU001 - 600A/CU
BUS BRACING:
S.C. RATING: 33KA
GE BKR HOIST: N/A
TOTAL STACKS: LU001 - 6
EQUIPMENT I/B: GEK-39672
PAINTED PER: ANSI 61-STD
(POWDER-COAT TYPE PER MFG-025)
FINISHED COLOR: Light Gray

REQN #: 360-28256
ENGR: Nguyen/Singh
DATE: 4/28/2008

SO #: 1024630101
SMY #: 0940000047
REV #: 0

SHEET: 1
OF: 1

DRAWING TRANSMITTAL

1/11/08 Revision 0

Express Mail Regular Mail Hand Carried E-Mail FTP

Date: April 28, 2008

To: **General Electric C&I**
 Robert Terrell
 201 Evans Road
 Suite 200
 Harahan, La 70123

Attention: **General Electric C&I**
 Robert Terrell

Phone #: 504-731-5534 / **Email #:** XXXXXXX@XXX.com

REQ #: 360-28256

Job Reference #/Shop Order #: 1024630101

Project Carrolton Power Plant

Please reference attached Drawing / Document index for enclosed transmittal:

- In order to maintain our schedule in the production of the listed equipment, we request that drawings be **APPROVED** and returned to your GE Comms Ops Project Manager by May 12, 2008. Fabrication of this material will not be started until we receive one approved (or approved as noted) copy of the drawings.
- Certain information is requested by notes on these drawings.
- These drawings are for **RECORD/CERTIFIED FOR CONSTRUCTION**. Fabrication of this material has been started.
- These drawings are certified **AS BUILT** for your records.
- Drawings have been submitted via **FTP**, folder name: ___.

Sincerely,
Joseph Ogletree/HXN

Vijay Singh
GE Comms Ops Project Manager
Vijay.Singh@ge.com
12305 Kurland Drive
Houston, Texas 77034
713-383-5052

• 12305 Kurland Drive - Houston, Texas 77034 • Tel: 713.709.1700 • Fax # 713.383.5000 •

Manufactured by  **POWELL**

Bill Of Material

Organization	Houston Electrical Division	PO Number	
Item	1024630201EBOM	Paint Code	///
Customer Name		BOM Date	28-APR-2008
End User Name		Order Quantity	
Location		UL Inspection	
Equipment Type	DEFAULT DEFAULT		
Equipment ID			
Designer			

Item Seq	Item Number	Qty	UOM	Item Description
1	PVEC1A1A2A2202D1A1	6	EA	POWERVAC BKR PVE - POWER-VAC EQUIPMENT BREAKER
				C - 7.2KV - 500MVA
				1 - 1200A RATING
				A - STANDARD CLOSE & LATCH
				1 - ML-18 OR ML-18H MECHANISM
				A - STANDARD TYPE
				2 - 5-CYCLE BKR
				A - 60 HZ. RATING
				2 - 125VDC CLOSE COIL STANDARD WIRING
				2 - 125VDC TRIP COIL - 1ST
				0 - NO 2ND TRIP COIL
				2 - 125VDC CHARGING MOTOR
				D - CERTIFIED TEST REPORTS
				1 - NO FAST BUS TRANSFER
				A - NO DIELECTRIC ENHANCEMENTS
				1 - NO SPECIALS



Hao Nguyen
Production Engineer

E-mail: hao.nguyen@powellind.com

Customer: Sewage and Water Board of New Orleans
Reqn # : 360-28256
W.O. # : 1024630101
Date : 04/28/2008

Note: Technical questions for this equipment can be directed through the order management leader, JOSEPH OGLETREE, at phone (713)383-5035. Commercial issues need to be directed to your GE Sales Engineer.

Please return the approval submittal drawings, marked with your comments to:

GE Switchgear
Attn: JOSEPH OGLETREE
12305 Kurland
Houston, TX 77034

APPROVAL NOTES

Please return a copy of these notes with acknowledgments and answers to each comment and question.

1. The attached equipment summary, elementary and front view diagrams, is our best interpretation of all design information received to date. Please address any comments, changes, or issues at this time to ensure correct and timely manufacturing of this equipment.
2. Please confirm that this line up is to be UL listed.
3. Verify cabinet and device arrangement.
4. Be sure to review all the CT, ratios and accuracies. The ratios are described on the front view and electrical schematics. The accuracies are described in the device summary.
5. Verify the cable size, quantity and directions of all breakers.
6. We are providing the front doors with T-handle (no padlock). Please verify.
7. The outer coffin door is padlockable. The (inner) compartment doors are being provided with qty 2 T-handles each. Rear doors are being provided as hinged & bolted, with padlocking provisions.
8. Drawout trays shall be complete with polyester or grounded steel barriers to provide operator shielding when in the withdrawn position.
9. We are providing origin/destination wire sleeves.
10. We are providing tilt out type fuses for circuit protection. We no longer offer the dead front pullout type fuses.
11. We are providing a cutout & wiring provisions for a type DS-63 WHM meter in compartments 101B, 102B, 103B, 104B, and 106B. This meter is provided by others, wired & installed by Powell. Please provide the exact catalog number of the meter that you intend to provide.
12. We are providing 9KV rated polymer intermediate type L/A's in units 103B & 104B.
13. Please specify the exact quantity of Trip Coils, Close Coils, and Spring Charge Motors.
14. Final terminal block scheme will be laid out at the time of final release.

g EQUIPMENT SUMMARY SPECIAL REQUIREMENTS

PROVIDE 10% SPARE TERMINAL POINTS.

PROVIDE CLEAR PLASTIC COVERS OVER ALL TERMINAL BLOCKS. HEAVY DUTY TERMINAL BLOCKS CAN HAVE OPAQUE COVERS.

CAT#?, TYPE DS-63 WHM IS PROVIDED BY OTHERS, WIRED AND INSTALLED BY POWELL IN COMPARTMENTS 101B, 102B, 103B, 104B, AND 106B.

AMBER LIGHT TO INDICATE BREAKER CLOSED.

GREEN LIGHT TO INDICATE BREAKER OPEN.

PUSH BUTTONS TO BE PROVIDED FOR BREAKER CONTROL, INSTEAD OF A BREAKER CONTROL SWITCH.

THIS LINEUP IS ENERGIZED AT 25HZ.

REQN NO: 360-28256
ENGR: Hao Nguyen
DATE: 4/17/2008 15:48

SUMM NO: 0940000047
REV NO:

SO NO: 1024630101
CONT ON SH FNL SHS1

<u>MK</u>	<u>QTY</u>	<u>DESCRIPTION</u>	<u>RATING</u>	<u>ORDERING NO</u>	<u>QTY</u>	<u>LU</u>	<u>UNIT</u>
0C7	20	EJ1 FU 14400V 1E XS	IP	9F60BHH001	4	001	101A
					4	001	102A
					4	001	103A
					4	001	105B
					4	001	106A

0M3	6	LA 9KV L/G POLYMER INTERMEDIATE TYPE OL 32C128120 GEH-6323 MOUNTING BASE UP	IP	9L12PPE009S	3	001	103S
					3	001	104S

0NX	6	BURNDY CRIMP TERM FOR CU CABLE 500kcmil/240SQMM	UL/CSA	YA342N	3	001	103B
					3	001	104B

0NY	12	BURNDY CRIMP TERM FOR CU CABLE 750kcmil	UL/CSA	YA392N	3	001	101B
					6	001	105A
					3	001	106B

0PJ	2	TERMINAL #2-250kcmil TIN PLATED	NA	0282A4158P004	1	001	101S
					1	001	106S

1Q4	10	ITI VOLTAGE TRANSFORMER 7200/120V 25HZ 0.5% ACC 75VA, 2 BUSHING, 15KV CL 110KV BIL, 550VA THERM 30 DEG C,	UR-IP	PTG52110SD03163CC	2	001	101A
					2	001	102A
					2	001	103A
					2	001	105B
					2	001	106A

3C4	12	GE COMPACT FLUORESCENT 1750 LUMEN, 28W, USE WITH MK-65A		FLE28QBX/A/827	1	001	101A
					1	001	101B
					1	001	102A
					1	001	102B
					1	001	103A
					1	001	103B
					1	001	104A
					1	001	104B
					1	001	105A
					1	001	105B
					1	001	106A
					1	001	106B

REQN #: 360-28256
ENGR: Nguyen/Singh
DATE: 4/28/2008

SMY #: 0940000047
REV #: 0

SO NO: 1024630101

CONT ON SH D2 SH D1

<u>MK</u>	<u>QTY</u>	<u>DESCRIPTION</u>	<u>RATING</u>	<u>ORDERING NO</u>	<u>QTY</u>	<u>L/U</u>	<u>UNIT</u>
3DE	10	ET16 LED LAMP ASSY RED 120VAC/125VDC W/2000 OHM RESISTOR RED LED, RED	IP	0209B4841G010			
					2	001	101A
					2	001	102A
					2	001	103A
					2	001	105B
					2	001	106A
3DF	6	ET16 LED LAMP ASSY GRN 120VAC/125VDC W/2000 OHM RESISTOR GREEN LED, GREEN CAP	IP	0209B4841G009			
					1	001	101B
					1	001	102B
					1	001	103B
					1	001	104A
					1	001	104B
					1	001	106B
3DH	6	ET16 LED LAMP ASSY AMB 120VAC/125VDC W/2000 OHM RESISTOR YELLOW LED, AMBER CAP	IP	0209B4841G008			
					1	001	101B
					1	001	102B
					1	001	103B
					1	001	104A
					1	001	104B
					1	001	106B
5V2	12	GE C2000 PUSH BUTTON BLACK FLUSH POLISHED CHROME OPERATOR 1NO & 1NC CONTACTS, SCREW TERM OPERATOR: P9CPNNG, CONTACT BLK: P9B11VN	UL	P9CPNNGN30N0			
					2	001	101B
					2	001	102B
					2	001	103B
					2	001	104A
					2	001	104B
					2	001	106B
64B	1	TOGGLE SW SPST 10A 125V		GE5051-1			
					1	001	101A
65A	12	LIGHT RECEPT 660W 250V REQUIRES MTG BRACKET NO. 0282A3638P001		21200021250 670 N3			
					1	001	101A
					1	001	101B
					1	001	102A
					1	001	102B
					1	001	103A
					1	001	103B
					1	001	104A
					1	001	104B
					1	001	105A
					1	001	105B
					1	001	106A
					1	001	106B

REQN #: 360-28256
ENGR: Nguyen/Singh
DATE: 4/28/2008

SMY #: 0940000047
REV #: 0

SO NO: 1024630101

CONT ON SH D3 SH D2

<u>MK</u>	<u>QTY</u>	<u>DESCRIPTION</u>	<u>RATING</u>	<u>ORDERING NO</u>	<u>QTY</u>	<u>LU</u>	<u>UNIT</u>
77T	6	GFCI DUPLEX RECEPTACLE PASS&SEYMOUR/LEGRAND 15A 125VAC 60HZ		15951			
					1	001	101B
					1	001	102B
					1	001	103B
					1	001	104B
					1	001	105B
					1	001	106B
783	11	JITE S/C TERMINAL BLOCK 4-POLE 30A-600V	IP	BTB-671-00-04-M1			
					2	001	101B
					3	001	102B
					2	001	103B
					2	001	104B
					2	001	106B
7H1	19	CLASS J FUSE HOLDER FERRAZ SHAWMUT ULTRASAFE 2 POLE 30A 600V 200KAIC NON-LOAD DISC	UL	US3J2			
		DIN			2	001	101A
					2	001	101B
					1	001	102A
					2	001	102B
					1	001	103A
					2	001	103B
					2	001	104A
					2	001	104B
					2	001	105B
					1	001	106A
					2	001	106B
7H5	1	CLASS J FUSE HOLDER FERRAZ SHAWMUT ULTRASAFE 2 POLE 60A 600V 200KAIC NON-LOAD DISC	UL	US6J2			
		DIN			1	001	101A
7NF	1	GRD SENSOR CT 50/5A ACCURACY CLASS C5 @ 25HZ MODEL 143, 7.31" WINDOW		143-SD-38876			
					1	001	102S
87W	1	MANUAL RACKING WRENCH	NA	0209B5075G001			
					1	001	XS

REQN #: 360-28256
ENGR: Nguyen/Singh
DATE: 4/28/2008

SMY #: 0940000047
REV #: 0

SO NO: 1024630101

CONT ON SH D4 SH D3

<u>MK</u>	<u>QTY</u>	<u>DESCRIPTION</u>	<u>RATING</u>	<u>ORDERING NO</u>	<u>QTY</u>	<u>LU</u>	<u>UNIT</u>
87Y	24	STRIP HEATER 300W 240V	UR-IP	0282A4386P001	1	001	101A
					1	001	101B
					2	001	101S
					1	001	102A
					1	001	102B
					2	001	102S
					1	001	103A
					1	001	103B
					2	001	103S
					1	001	104A
					1	001	104B
					2	001	104S
					1	001	105A
					1	001	105B
					2	001	105S
					1	001	106A
					1	001	106B
					2	001	106S

88Z	1	BKR HOIST TRUCK~ TWO-MAST GE HIGH LIFT TYPE	NA	0144D2933G001	1	001	XS

89L	3	SURGE SUPPRESSOR OL 0144D2156 8.25KV MAX L TO L	IP	0144D2156G002	1	001	101S
					1	001	102S
					1	001	106S

8AJ	1	BKR SPRING GAG PLATE FOR ML18 BREAKER	NA	0209B8043G001	1	001	XS

8AK	1	BKR MANUAL CHARGE HDL	NA	0282A7227P001	1	001	XS

8BU	1	REMOTE RACKING OPER SADDLE DESIGN 115V 50/60HZ	NA	0177D8399G003	1	001	XS

8E2	12	AUX/PS SW S 6A,6B	IP	0209B5163P001	2	001	101B
					2	001	102B
					2	001	103B
					2	001	104A
					2	001	104B
					2	001	106B

C06H	15	CT 600/5 HIGH ACCURACY SINGLE RATIO SOURCE CONTROL AS PER DWG ACCURACY CLASS C200, CURVES 0329A5532 0144D2684P030	UR-IP	785-601	3	001	101B
					3	001	102B
					3	001	103B
					3	001	104B
					3	001	106B

REQN #: 360-28256
ENGR: Nguyen/Singh
DATE: 4/28/2008

SMY #: 0940000047
REV #: 0

SO NO: 1024630101

CONT ON SH D5 SH D4

<u>MK</u>	<u>QTY</u>	<u>DESCRIPTION</u>	<u>RATING</u>	<u>ORDERING NO</u>	<u>QTY</u>	<u>LU</u>	<u>UNIT</u>
M014	1	REMOTE RACKING OPERATOR SADDLE MOUNT TO DOOR	NA	0324B5780G001	1	001	XS

PJ2	12	10A CLF CLASS J FU FERRAZ SHAWMUT 600VAC 200KAIC, 300VDC 20KAIC	UL	A4J10	2	001	101A
					2	001	102A
					2	001	103A
					4	001	105B
					2	001	106A

PJ4	2	20A CLF CLASS J FU FERRAZ SHAWMUT 600VAC 200KAIC, 300VDC 20KAIC	UL	A4J20	2	001	101A

PJ6	24	30A CLF CLASS J FU FERRAZ SHAWMUT 600VAC 200KAIC, 300VDC 20KAIC	UL	A4J30	4	001	101B
					4	001	102B
					4	001	103B
					4	001	104A
					4	001	104B
					4	001	106B

PJB	2	60A CLF CLASS J FU FERRAZ SHAWMUT 600VAC 200KAIC, 300VDC 20KAIC	UL	A4J60	2	001	101A

REQN #: 360-28256
ENGR: Nguyen/Singh
DATE: 4/28/2008

SMY #: 0940000047
REV #: 0

SO NO: 1024630101

CONT ON SH

SH D5

g POWER-VAC SWITCHGEAR

Product Type POWER-VAC Style:WP

Plant Code : BN Summary Number :0940000047

<u>Lineup</u>	<u>Cust. Mark No.</u>	<u>Volts</u>	<u>Phase</u>	<u>Wire</u>	<u>HZ</u>	<u>Volts Max.</u>
01	MV SWGR	7200	3	3	60	8250

LOW FREQ.: 36KV IMPULSE: 95KV MOMENTARY:66KA

<u>SECTION</u>	<u>SUPPLY</u>	<u>SECTION</u>	<u>NEUTRAL</u>	<u>SHORT CKT RATING RMS SYM AMPS</u>	<u>STACK LABEL</u>
101	1200	1200		33,000 @60HZ	
102	1200	1200		33,000 @60HZ	
103	1200	1200		33,000 @60HZ	
104	1200	1200		33,000 @60HZ	
105	1200	1200		33,000 @60HZ	
106	1200	1200		33,000 @60HZ	

 QTY: 1 NP-0282A3117 STAMP REQ: 360-28256 SUM NO:0940000047
 ELEM NO:1024630101

MONTH AND YEAR OF SHIPMENT TO BE STAMPED BY MANUFACTURING:

 REQN NO: 360-28256 SUMM NO: 0940000047 SO NO: 1024630101
 ENGR: Hao Nguyen REV NO:
 DATE: 4/24/08 13:47 SH EE1

g Summary of Power-Vac Switchgear Equipment

Standard Options

LineUp : 01

----- Certifications -----	
UL/UR 1670 Label	Not Required
CSA	Not Required
Corona Spec	Not Required
Corona Testing	Not Required
Regulatory Code	None
Seismic Zone	Not Required
Breaker Testing	Mech Int/Operational Test

----- Electrical Options -----	
Wire Size	14
Wire Sleeves	Origin/Destination - Standard Sleeve
Wire Terminals	Ring Insulated
CT Wire Size	10
CT Wire Terminals	Ring Insulated
Serialized Metering/Relaying CTs w/ Test Reports	No
System Phase Configuration	WYE
System Ground Configuration	Effectively Grounded

----- Mechanical Options -----	
Construction	WP
Arc Resistant	Not Required
Drip Proof Roof	Not Required
Stack Depth	94
Stack Depth Ext	0
Cable Lug Type	Compression-Copper
Cable Supports	Not Required
Cable Boots	Not Required
Device Door Barriers	Not Required
Front Door Hinge	LH
Front Door Handle Type	Thumbscrew
Front Door Flat Gasket	Not Required
Front Door Padlock	Not Required
Rear Door Type	Hinged Height: Full Height
Rear Door Handle Type	T-Handle
Rear Door Stop	Not Required
Rear Door Padlock	Required
Indoor Floor Plates	Not Required
Primary and Bus Supports	Polyester
Main Bus Plating	Full Silver
Ground Bus Plating	Full Silver
Mimic Bus. Not Required Width :	Color : Mounting :
Heaters	Compartment and Stack
Outdoor Aisle Extension	Not Required
Outdoor PA/CA Ship	Not Required
Pull Box	Not Required Pull Box Height : 0
Ventilation	Std Screen Option: <None>
Roll-In Breakers	Not Required
Remote Racking	Required Remote Racking Type : Saddle-Mount
Special Paint Thickness (mils)	Not Required
Special Interior Paint	Not Required

g Summary of Power-Vac Switchgear Equipment

Standard Options

Special Exterior Paint Not Required

REQN NO: 360-28256
ENGR: Hao Nguyen
DATE: 4/17/2008 15:51

SUMM NO: 0940000047
REV NO:

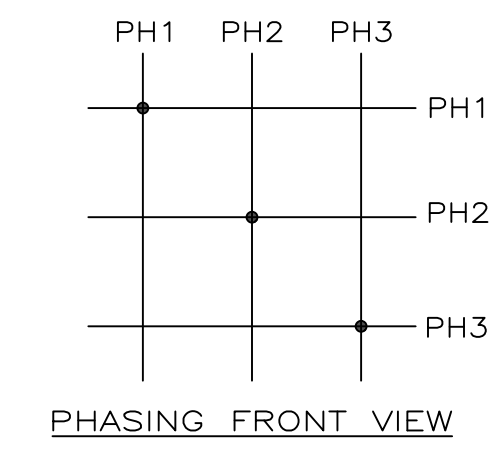
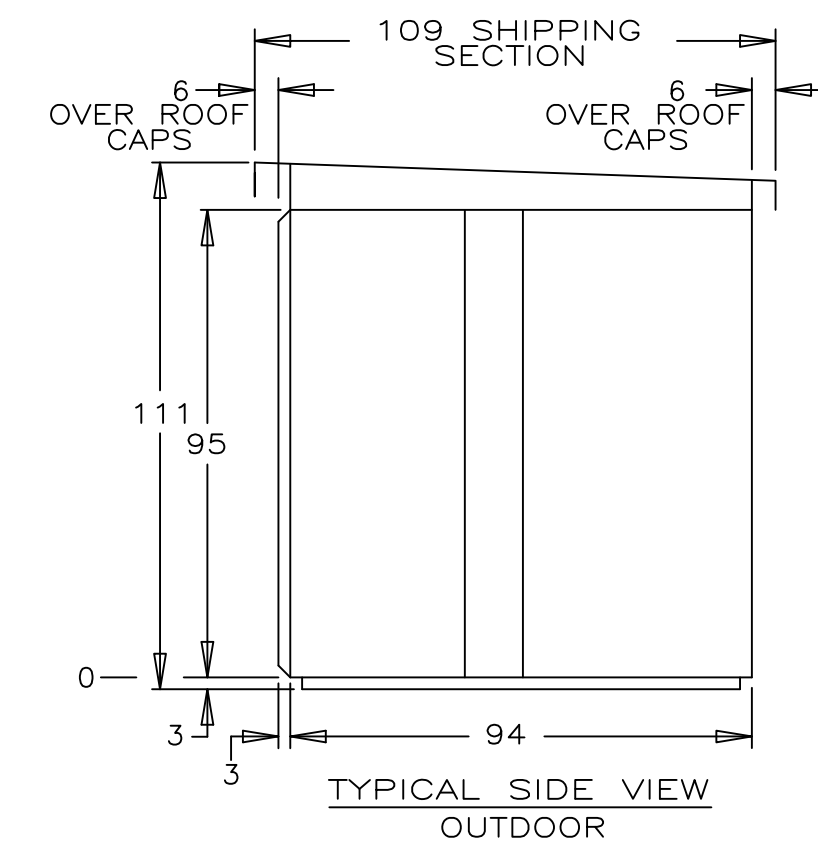
SO NO: 1024630101

SH L2

G.E. SUB. 01
CUST. SUB. MV SWGR

GE GE CONSUMER AND INDUSTRIAL

THIS DRAWING NOT TO SCALE	REV: 0 1024630101 SH.NO. 1	PowerVac Switchgear FRONT VIEW AND FLOOR PLAN REQUISITION: 360-28256 DWG./DISK NO: 1024630101
CUSTOMER: SEWAGE AND WATER BOARD OF NEW ORLEANS		
CUSTOMER ORDER/PO: 094000047		
STATION: BUS TIE UNIT 5-6-7		
LOCATION: S-WB CARROLTON POWER PLANT		
CONTRACTOR:		
CONSULTANT:		
DISTRIBUTOR:		
DISTRIBUTOR ORDER #		
CONSTRUCTION: Outdoor (Non Walk In)		
RATED: 7200V-3PH-3W-25HZ-500MVA		
MAIN BUS: LU001 - 1200A/CU		
NEUT BUS: LU001 - N/A		
GRD. BUS: LU001 - 600A/CU		
ANSI SHORT CIRCUIT RATING: 33KA		
BUS BRACING:		
G.E. SUB. NO.:		
EQUIPMENT: PowerVac Switchgear		

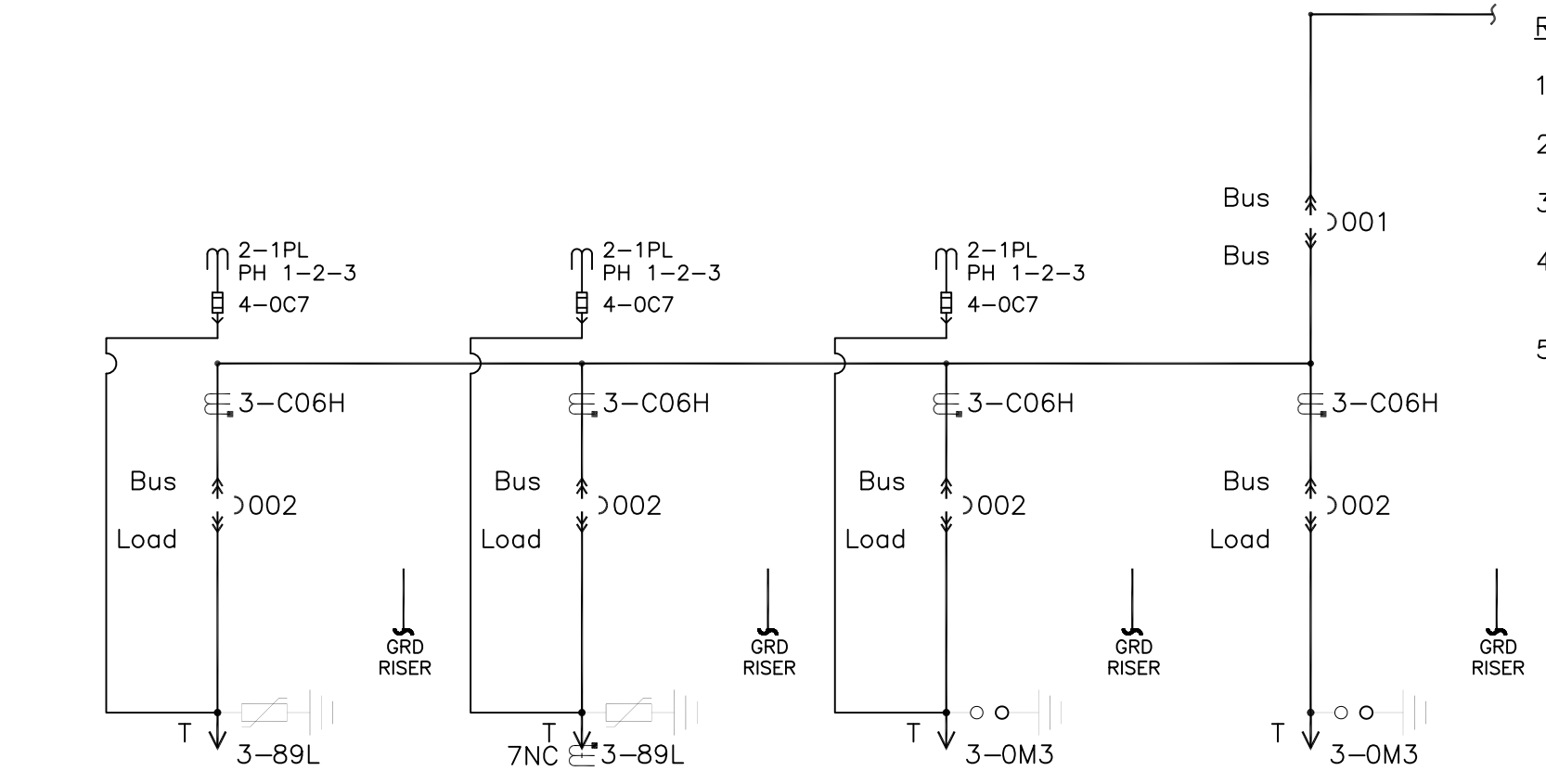


REFERENCE DRAWINGS

1. INSTALLATION
DWG NO. 0209B4644
2. LIFTING & HANDLING
DWG NO. 0209B4646
3. JACKING
DWG NO. 0209B4647
4. TAPE INSTRUCTIONS
DWG NO. 0144D2907
DWG NO. 0282A4528
5. INSTALLATION - CONTROL WIRING
DWG NO. 0209B4653

TAPE ALL JOINTS DENOTED WITH A (T) ON 1-LINE.
(ALL OTHER JOINTS TO BE BOOTED UNLESS OTHERWISE NOTED.)

PRIMARY CABLE TERMINATIONS TO BE INSULATED IN THE FIELD.



SECT AND COMPT	SUMMARY	MK#	TYPE / CAT #	RATING	CT TOP 1st. SET	CT TOP 2nd. SET	CT BOT 1st. SET	CT BOT 2nd. SET	CABLE SCHEDULE		
									CABLES/TERMINALS		
									PER PHASE	NEUTRAL	GROUND
101B	0940000047	002	PVEC1A1A2A2202D1A1 ML-18	1200	3-600:5A				1-750kcmil-ONY		
102B	0940000047	002	PVEC1A1A2A2202D1A1 ML-18	1200	3-600:5A				2-2/0-NEMA		
103B	0940000047	002	PVEC1A1A2A2202D1A1 ML-18	1200	3-600:5A				1-500kcmil-ONX		
104A	0940000047	001	PVEC1A1A2A2202D1A1 ML-18	1200							
104B	0940000047	002	PVEC1A1A2A2202D1A1 ML-18	1200	3-600:5A				1-500kcmil-ONX		

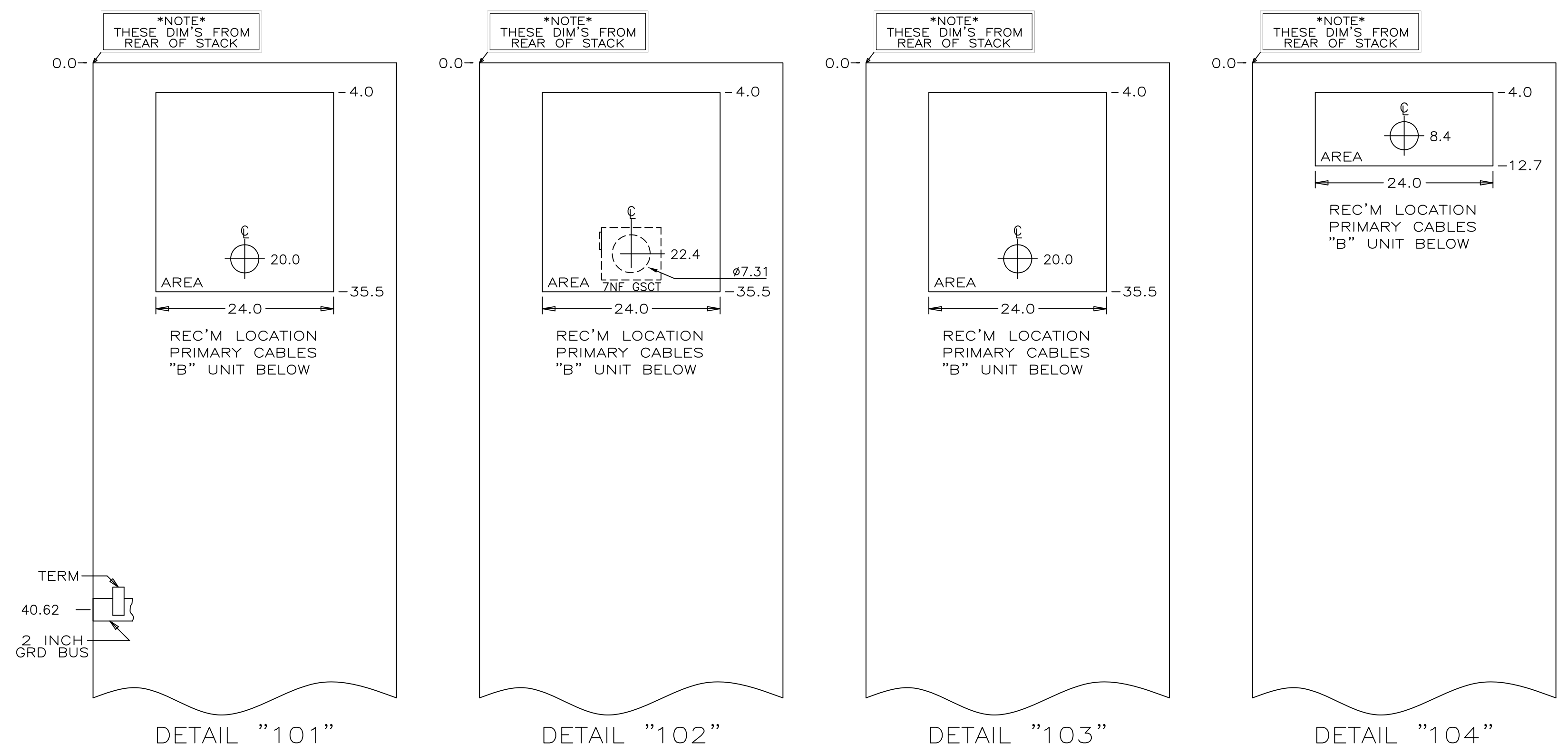
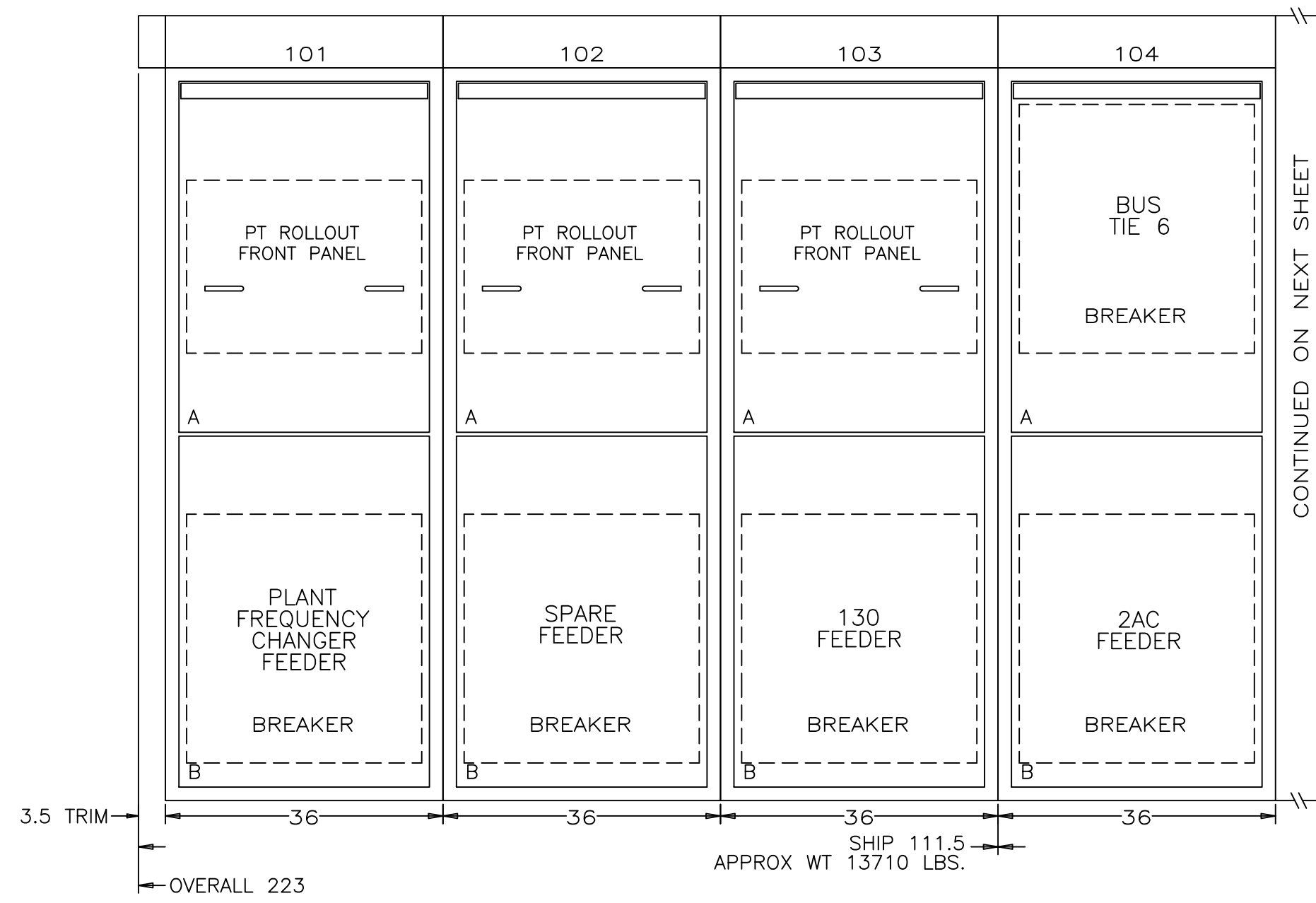


TABLE K
CUSTOMER SECONDARY CONTROL LEAD TABLE
("A" THRU "D" DIMENSIONS ARE REF'D FROM THE FRONT)
("E" THRU "F" DIMENSIONS ARE REF'D FROM THE RIGHT)
ABOVE

"A" COMPT TYPE	"B" COMPT TYPE	A	B	C	D	E	F
ALL	ALL	N/A	6.50	18.0	18.0	5.00	2.50
BELOW							
ALL	ROLLOUT	N/A	6.50	11.0	11.0	5.00	2.50
ALL	ALL OTHER	N/A	6.50	18.0	18.0	5.00	2.50

6.6KV, 25HZ OUTDOOR SWITCHGEAR
BUSTIE 5-6-7

Manufactured by **POWELL** **M**

FOR APPROVAL ONLY
NOT FOR CONSTRUCTION

PowerVac Switchgear
FRONT VIEW AND FLOOR PLAN

DESIGNER: GE PO: 0940000047
ENGINEER: Nguyen/Singh
DATE: 04/28/08
ISSUED: hxnguyen

REQUIREMENT: 360-28256
DWG./DISK NO: 1024630101

APPROVALS: HOUSTON, TX
SH.NO. 1

RECOMMENDED MIN. REAR AISLE SPACE 35.00

MIN. SIDE AISLE SPACE 33.00

RECOMMENDED MIN. AISLE SPACE 78.00 TO REMOVE BREAKERS

CONTINUED ON NEXT SHEET

CONTINUED ON NEXT SHEET

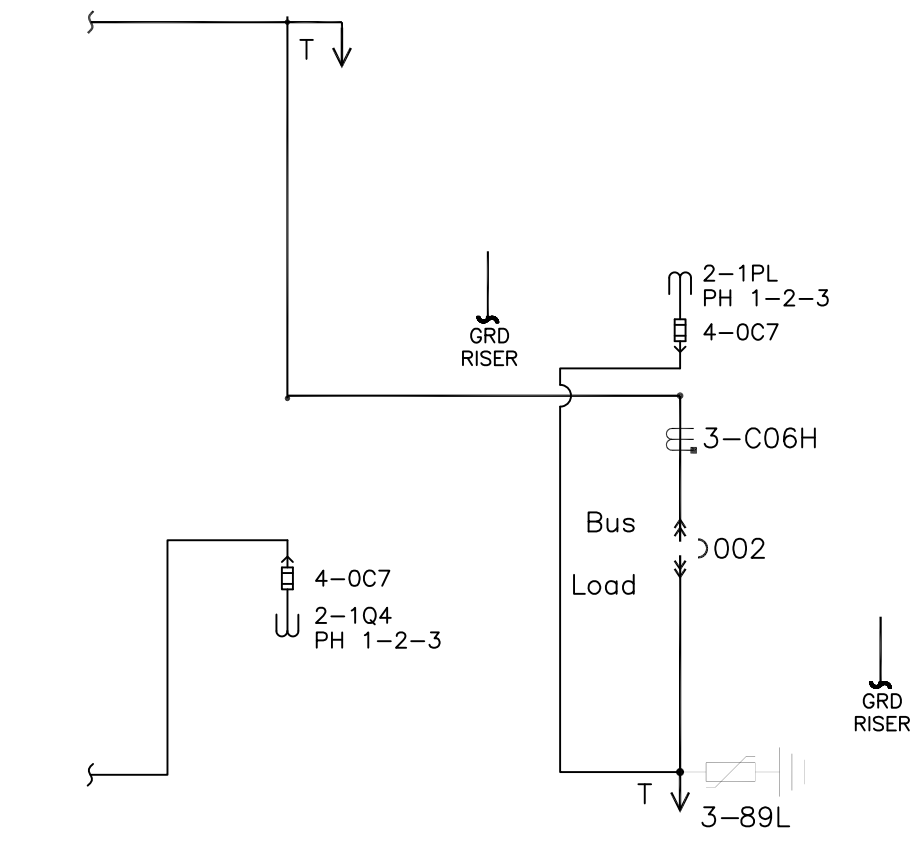
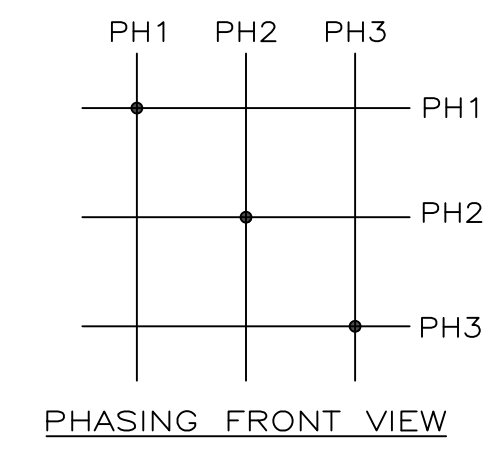
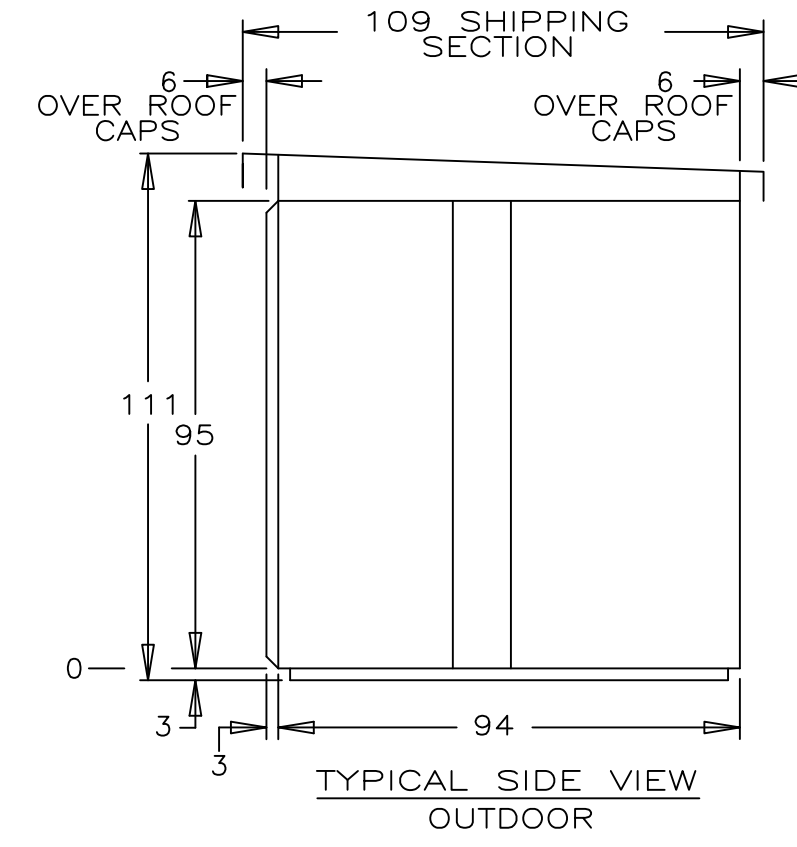
4

5

2

REV

- REFERENCE DRAWINGS**
1. INSTALLATION DWG NO. 0209B4644
 2. LIFTING & HANDLING DWG NO. 0209B4646
 3. JACKING DWG NO. 0209B4647
 4. TAPE INSTRUCTIONS DWG NO. 0144D2907
DWG NO. 0282A4528
 5. INSTALLATION - CONTROL WIRING DWG NO. 0209B4653
- TAPE ALL JOINTS DENOTED WITH A (T) ON 1-LINE.
(ALL OTHER JOINTS TO BE BOOTED UNLESS OTHERWISE NOTED.)
- PRIMARY CABLE TERMINATIONS TO BE INSULATED IN THE FIELD.



SECT AND COMPT	SUMMARY	MK#	TYPE / CAT #	RATING	CT TOP 1st. SET	CT TOP 2nd. SET	CT BOT 1st. SET	CT BOT 2nd. SET	CABLE SCHEDULE		
									CABLES/TERMINALS		
									PER PHASE	NEUTRAL	GROUND
105S	0940000047		TAPOFF	1200					2-750kcmil-ONY		
106B	0940000047	002	PVEC1A1A2A2202D1A1 ML-18	1200	3-600:5A				1-750kcmil-ONY		

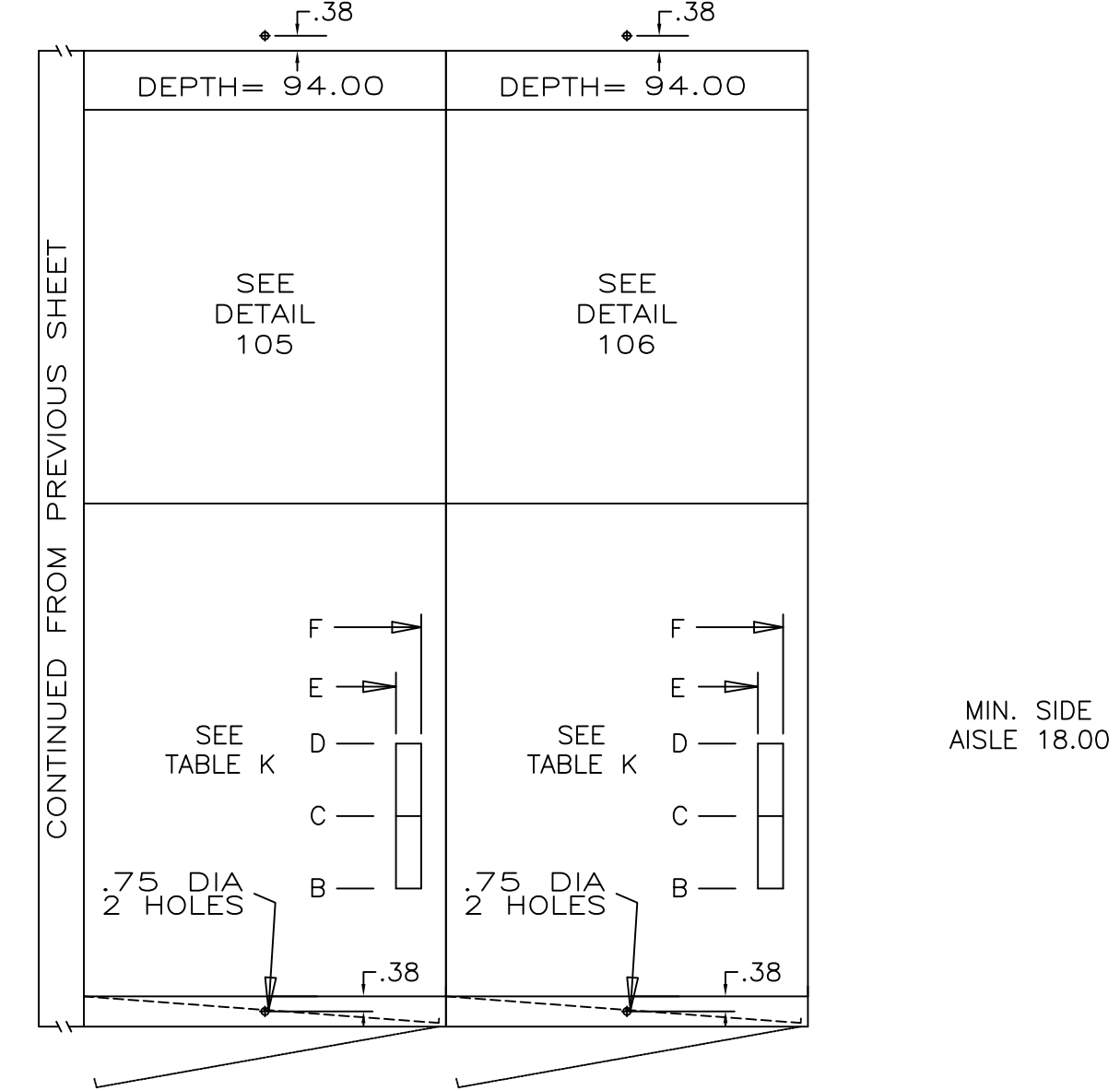
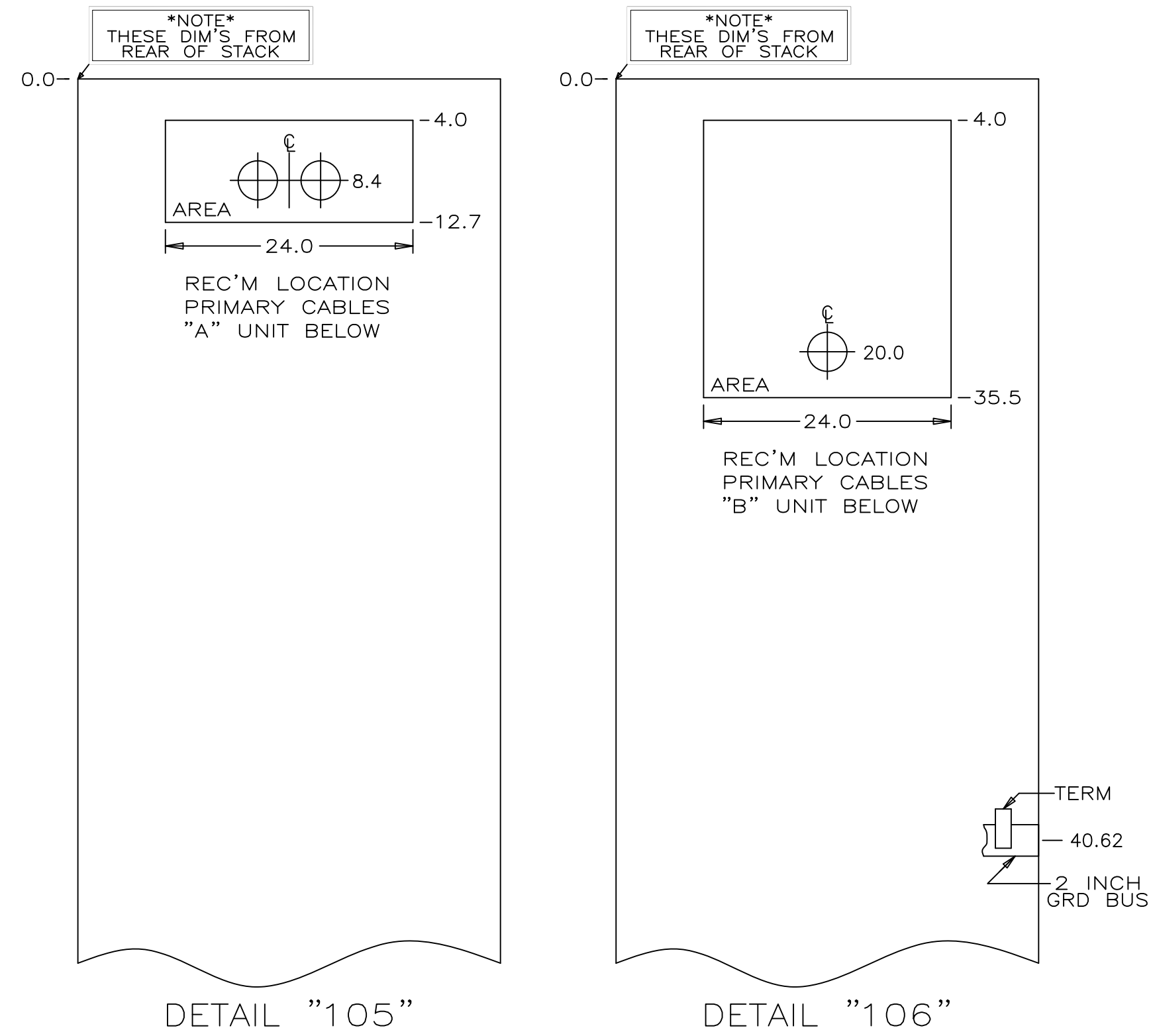
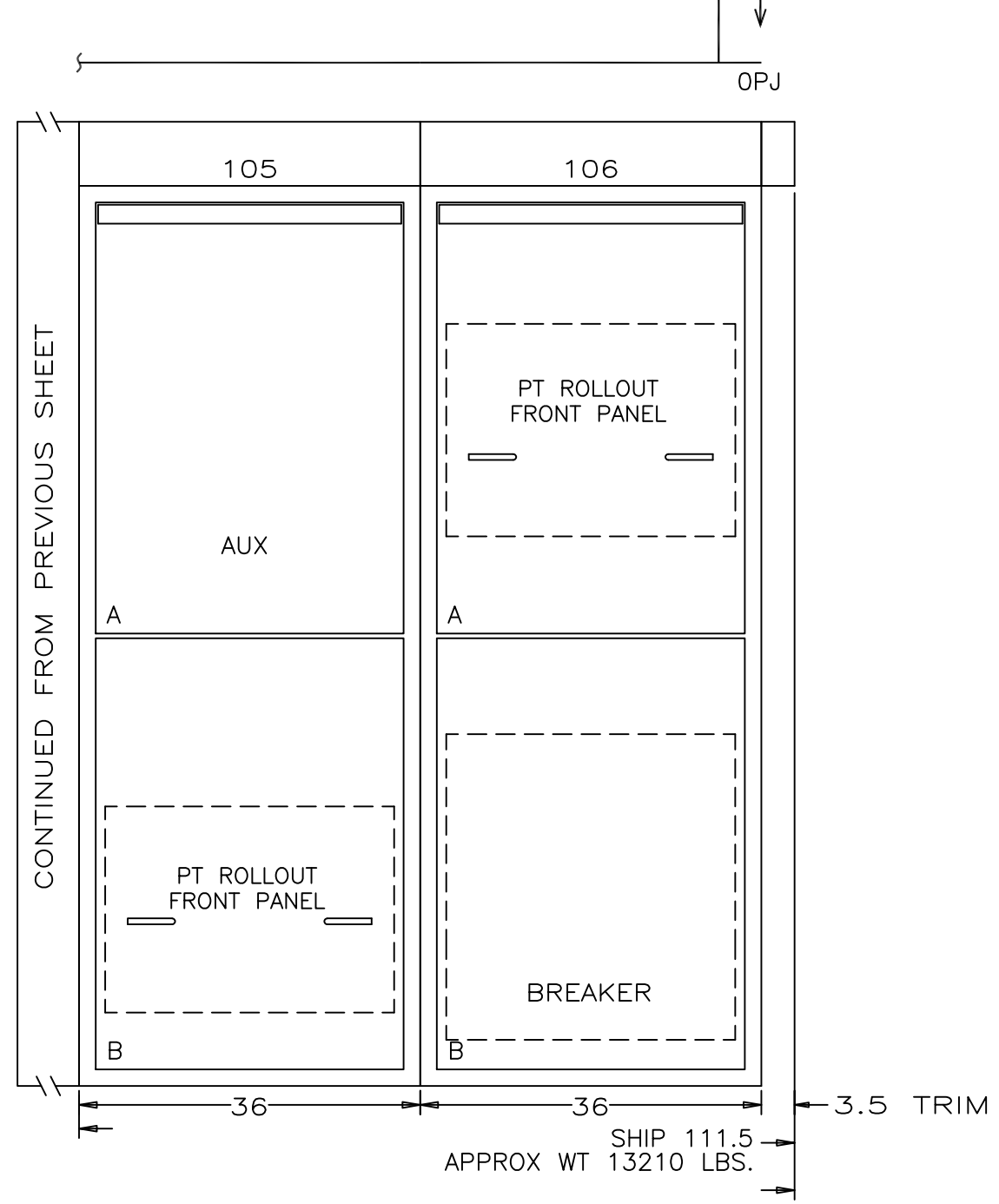


TABLE K
CUSTOMER SECONDARY CONTROL LEAD TABLE
("A" THRU "D" DIMENSIONS ARE REF'D FROM THE FRONT)
("E" THRU "F" DIMENSIONS ARE REF'D FROM THE RIGHT)
ABOVE

"A" COMPT TYPE	"B" COMPT TYPE	A	B	C	D	E	F
ALL	ALL	N/A	6.50	18.0	18.0	5.00	2.50
BELOW							
ALL	ROLLOUT	N/A	6.50	11.0	11.0	5.00	2.50
ALL	ALL OTHER	N/A	6.50	18.0	18.0	5.00	2.50

Manufactured by **POWELL**



FOR APPROVAL ONLY
NOT FOR CONSTRUCTION

Confidential Information! Must not be used in any way detrimental to Powell Industries. In the event this drawing is lost, mail to: Powell Electrical Systems, Inc. 12305 Kurland Dr. Houston, Texas 77034 Tel: (713) 709-1700

PowerVac Switchgear FRONT VIEW AND FLOOR PLAN

DESIGNER: GE PO: 0940000047
ENGINEER: Nguyen/Singh
DATE: 04/28/08
ISSUED:

REQ: 360-28256
DWG./DISK NO: 1024630101
APPROVALS
HOUSTON, TX SH.NO. 2

RECOMMENDED MIN. AISLE SPACE 78.00 TO REMOVE BREAKERS

4

2

2

1

REV



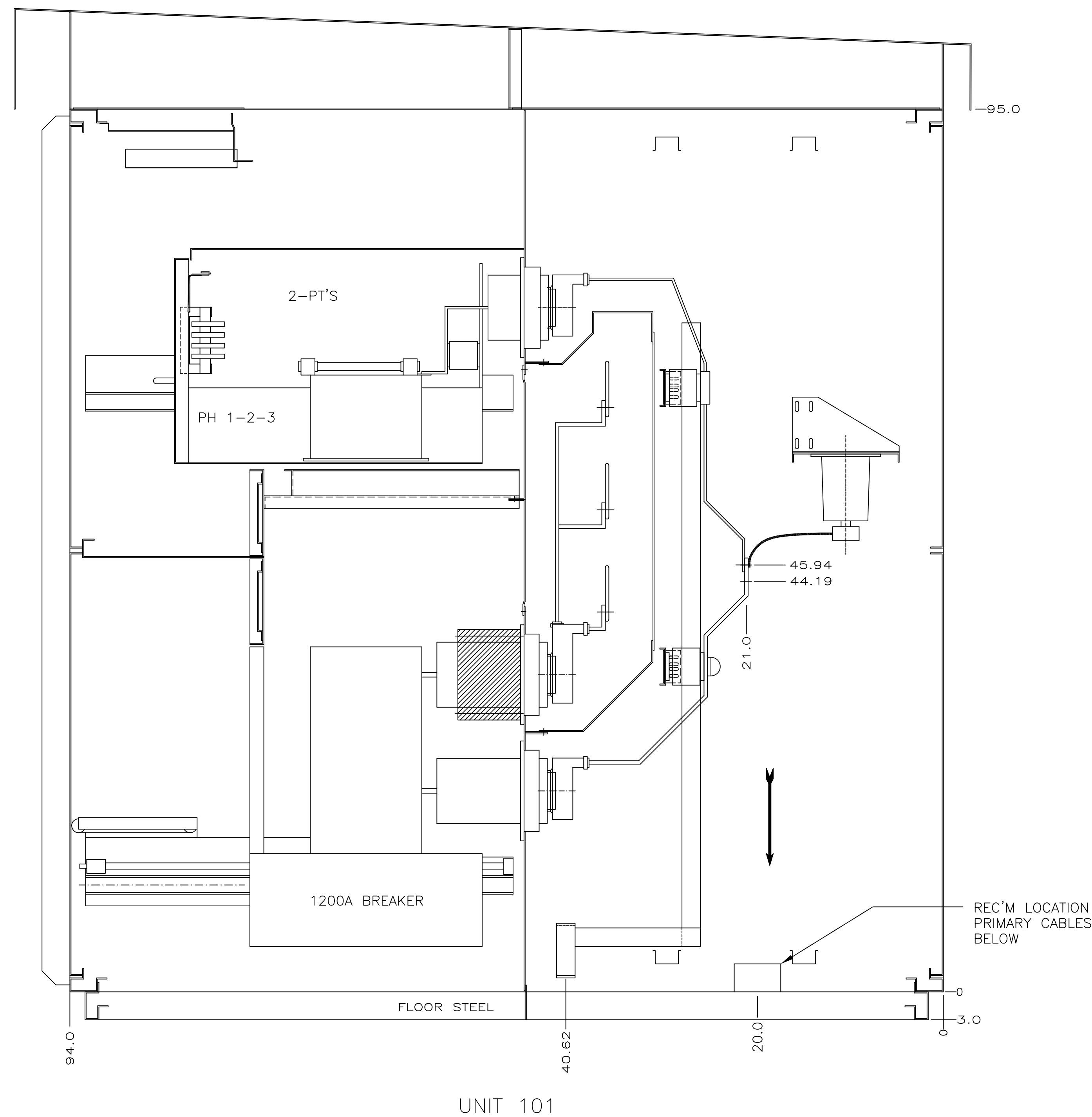
THIS DRAWING NOT TO SCALE

REV: 0

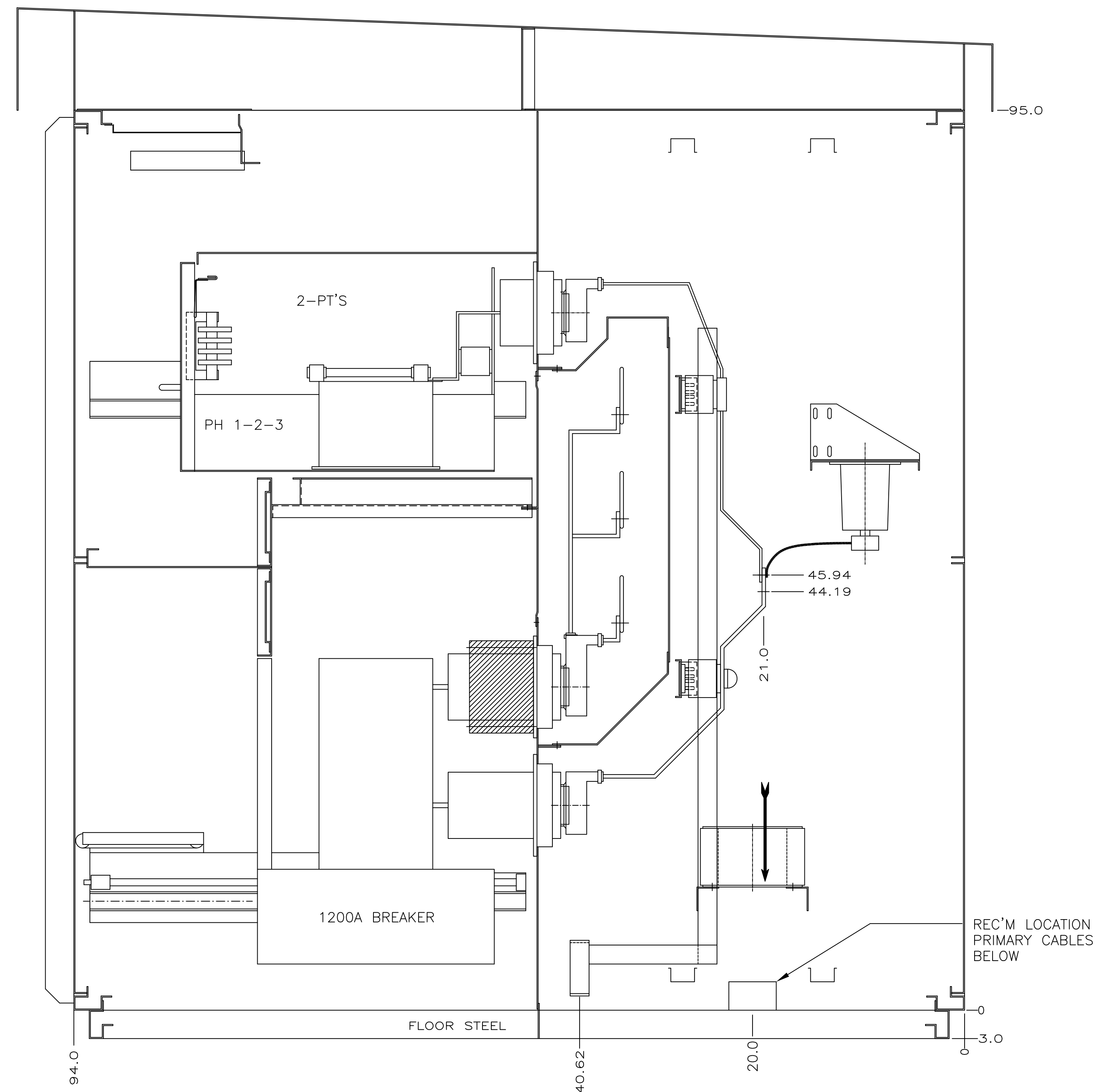
1024630101 SH.NO. 3

PowerVac Switchgear SIDE VIEW - UNIT 101 AND 102 REQUISITION: 360-28256

DWG./DISK NO: 1024630101



UNIT 101



UNIT 102

Manufactured by POWELL



FOR APPROVAL ONLY NOT FOR CONSTRUCTION

Confidential Information! Must not be used in any way detrimental to Powell Industries. In the event this drawing is lost, mail to: Powell Electrical Systems, Inc. 12305 Kurland Dr. Houston, Texas 77034 Tel: (713) 709-1700

PowerVac Switchgear SIDE VIEW - UNIT 101 AND 102

DESIGNER:	GE PO: 0940000047
ENGINEER: Nguyen/Singh	REQ: 360-28256 DWG./DISK NO: 1024630101
DATE: 04/28/08	APPROVALS
ISSUED:	HOUSTON, TX SH.NO. 3

4

3

2

1

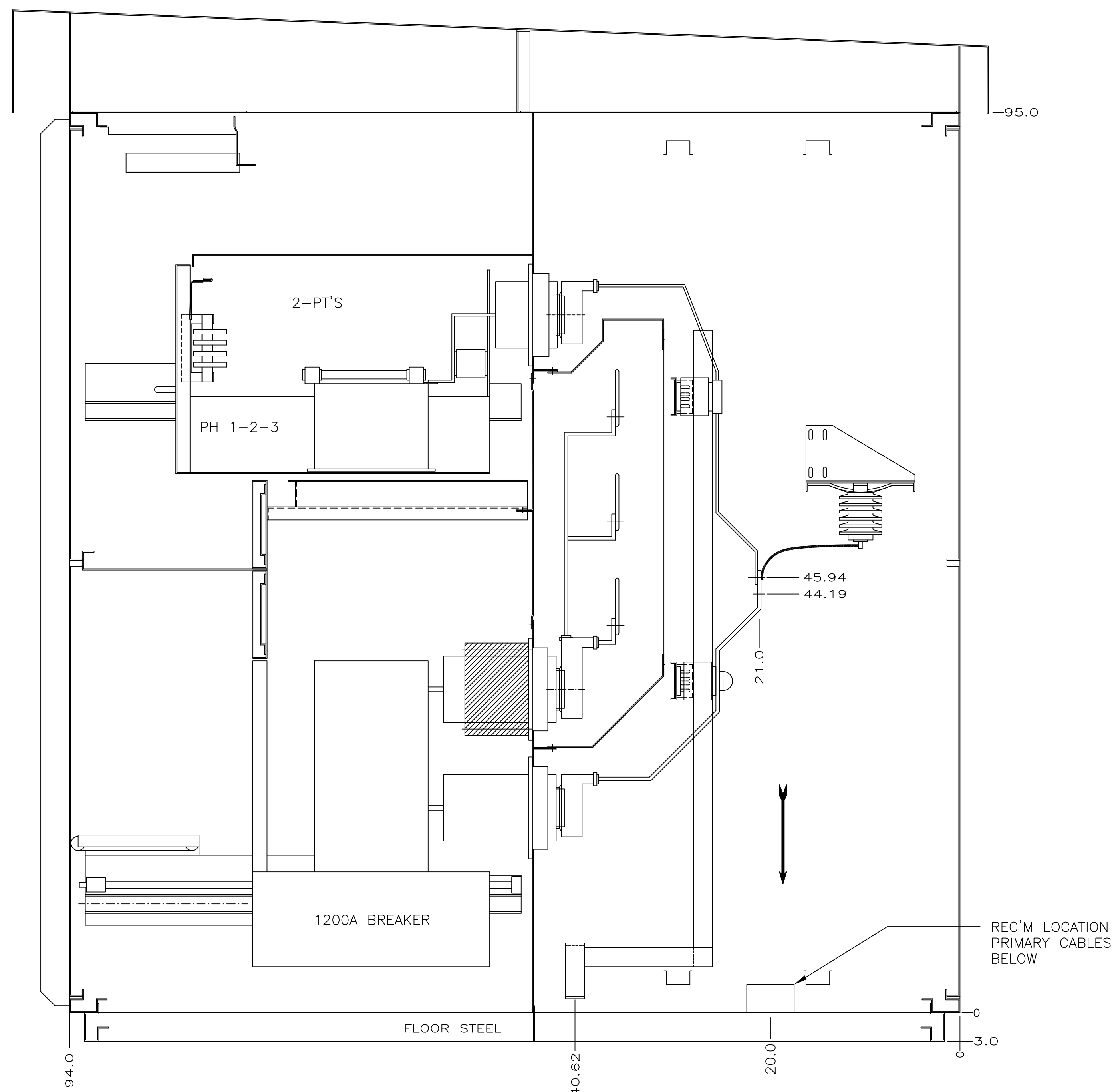
REV



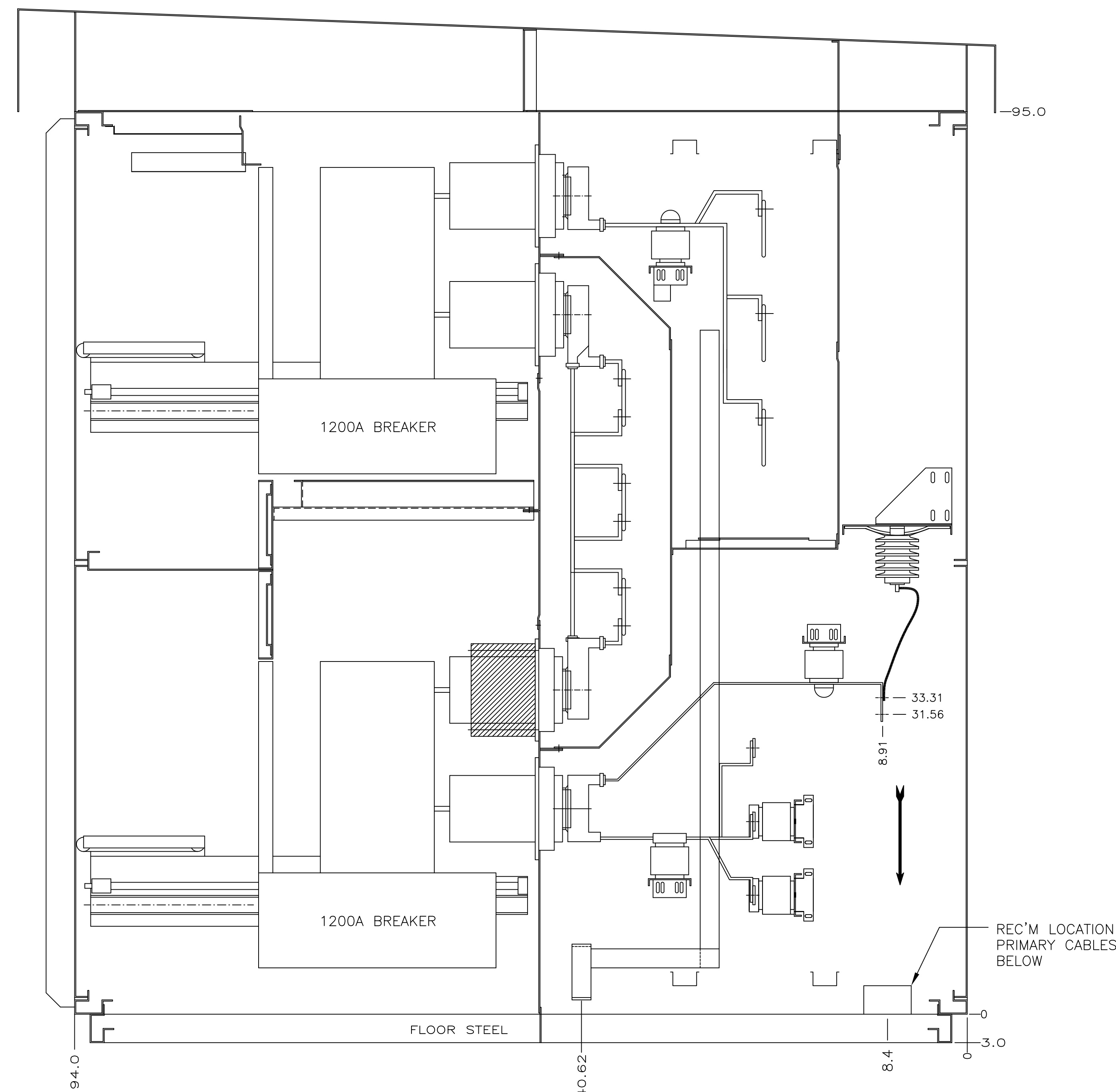
THIS DRAWING NOT TO SCALE

REV: 0
1024630101
SH.NO. 4

PowerVac Switchgear
SIDE VIEW - UNIT 103 AND 104
REQUISITION: 360-28256
DWG./DISK NO: 1024630101



UNIT 103



UNIT 104

Manufactured by **POWELL**



FOR APPROVAL ONLY
NOT FOR CONSTRUCTION

Confidential Information! Must not be used in any way detrimental to Powell Industries. In the event this drawing is lost, mail to:
Powell Electrical Systems, Inc.
12305 Kurland Dr.
Houston, Texas 77034
Tel: (713) 709-1700

PowerVac Switchgear
SIDE VIEW - UNIT 103 AND 104

DESIGNER:	GE PO: 0940000047
ENGINEER: Nguyen/Singh	REQ: 360-28256
DATE: 04/28/08	DWG./DISK NO: 1024630101
ISSUED:	HOUSTON, TX
	SH.NO. 4

4

3

2

1

REV



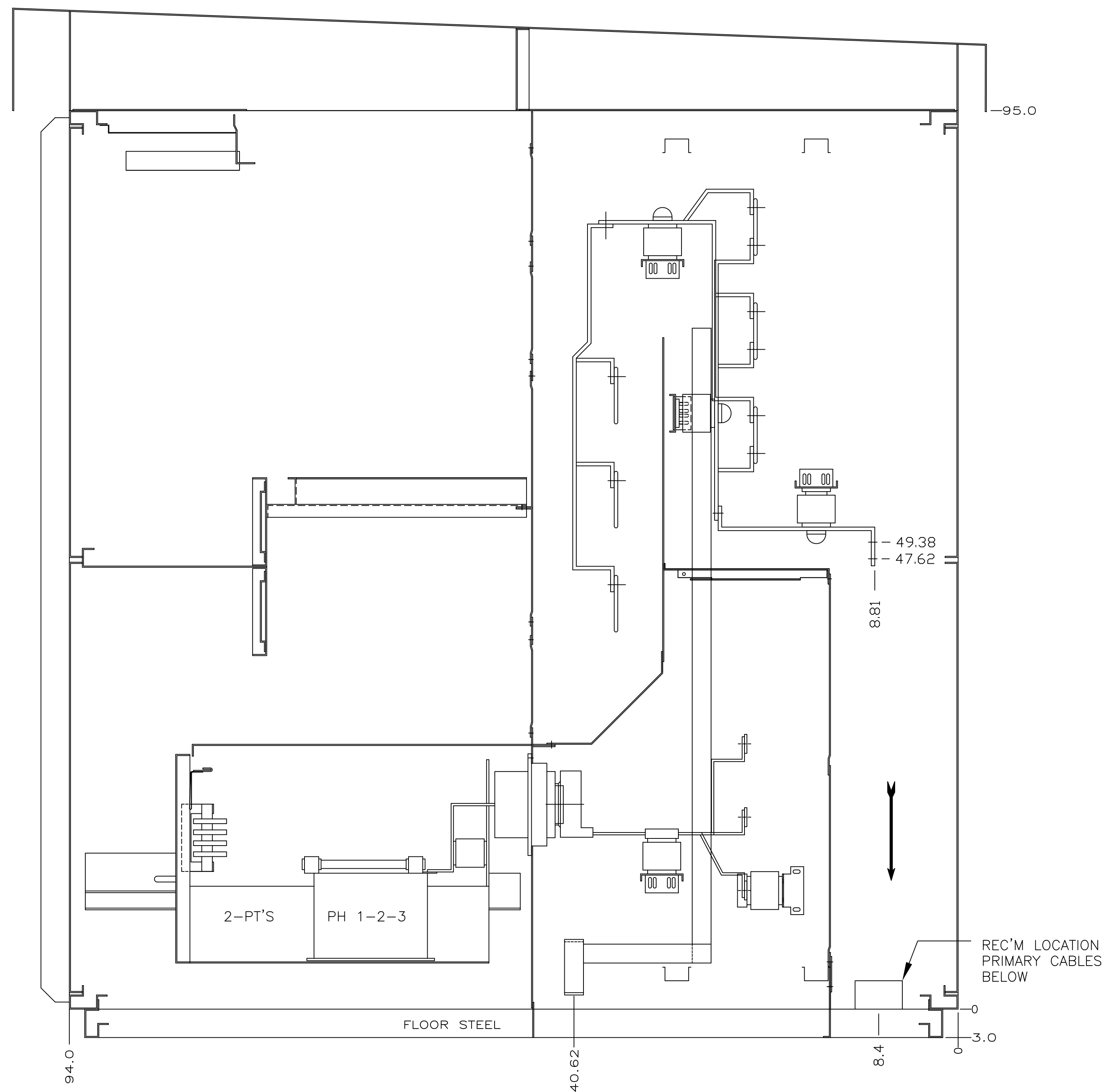
THIS DRAWING NOT TO SCALE

REV: 0

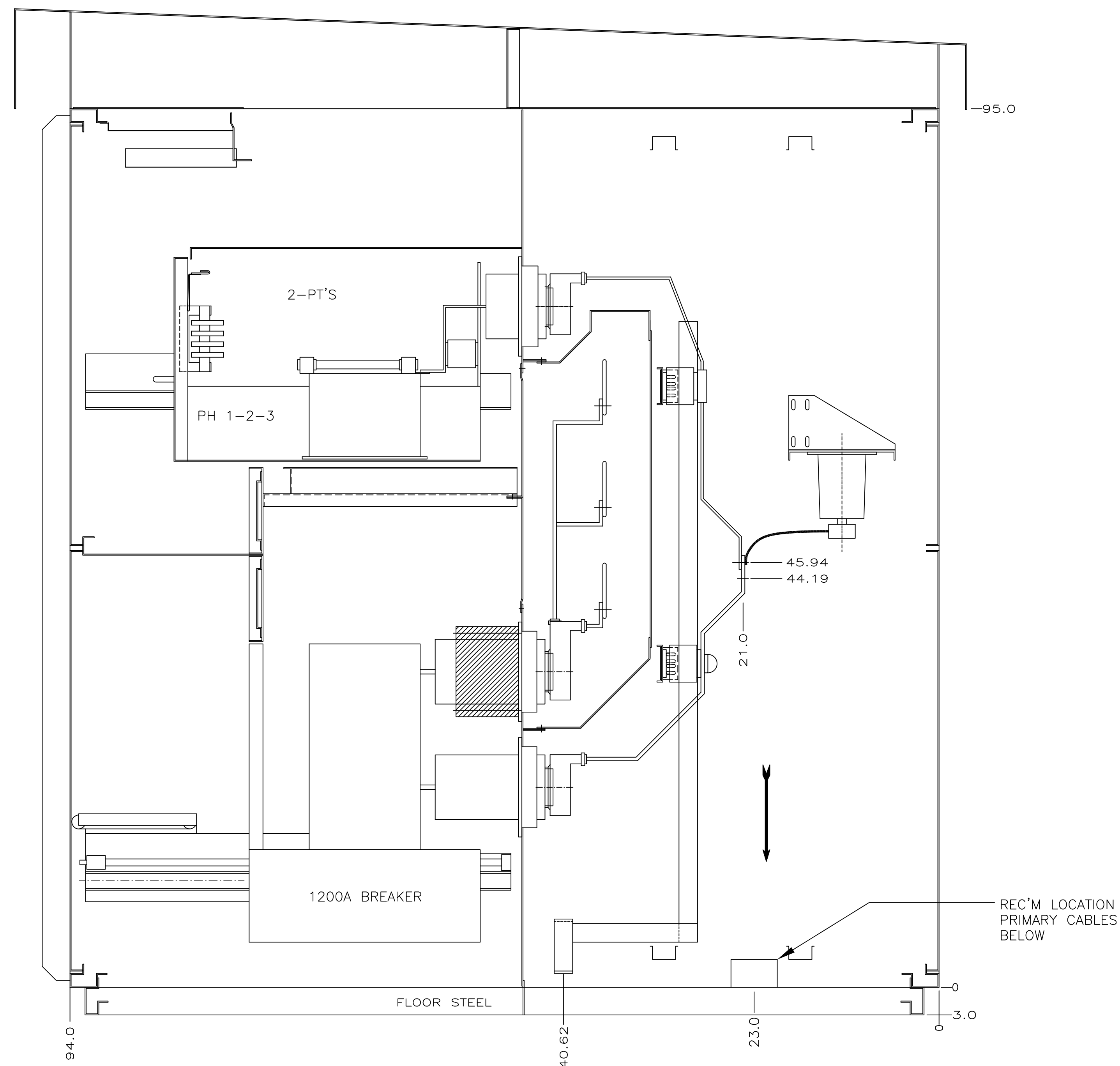
1024630101 SH.NO. 5

PowerVac Switchgear SIDE VIEW - UNIT 105 AND 106 REQUISITION: 360-28256

DWG./DISK NO: 1024630101



UNIT 105



UNIT 106

Manufactured by POWELL



FOR APPROVAL ONLY NOT FOR CONSTRUCTION

Confidential Information! Must not be used in any way detrimental to Powell Industries. In the event this drawing is lost, mail to: Powell Electrical Systems, Inc. 12305 Kurland Dr. Houston, Texas 77034 Tel: (713) 709-1700

PowerVac Switchgear SIDE VIEW - UNIT 105 AND 106

DESIGNER: GE PO: 0940000047 ENGINEER: Nguyen/Singh REQ: 360-28256 DATE: 04/28/08 ISSUED:

APPROVALS

HOUSTON, TX

SH.NO. 5

4

3

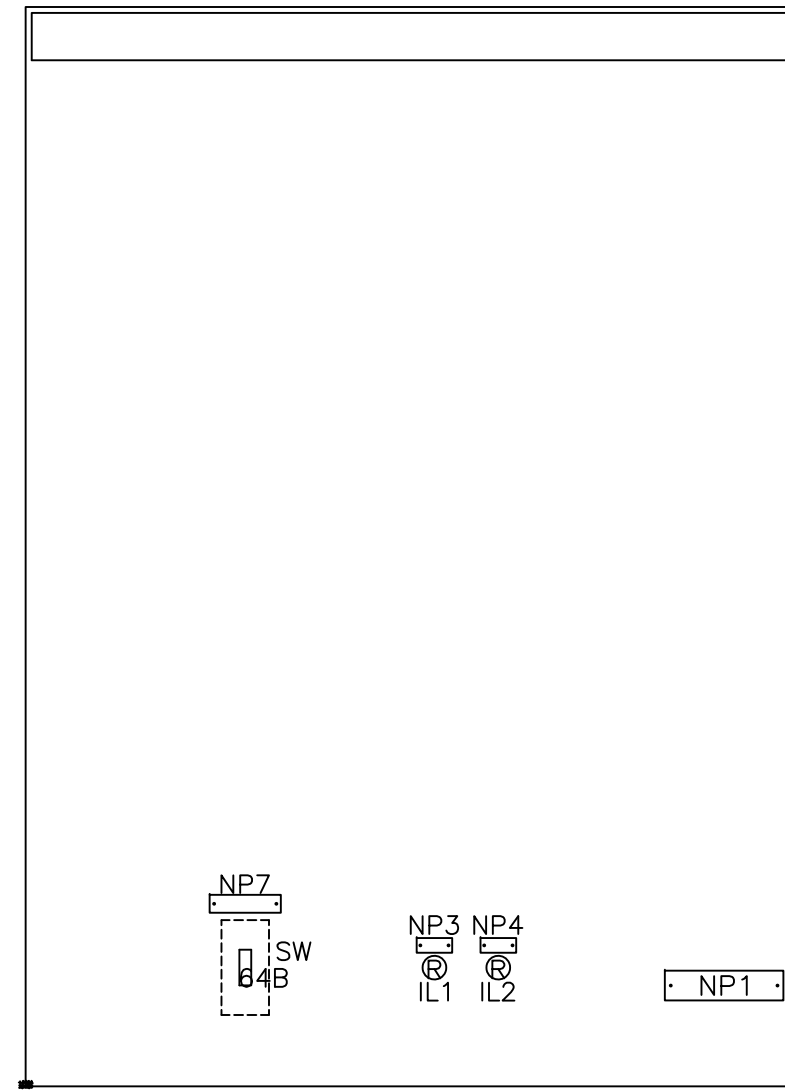
2

1

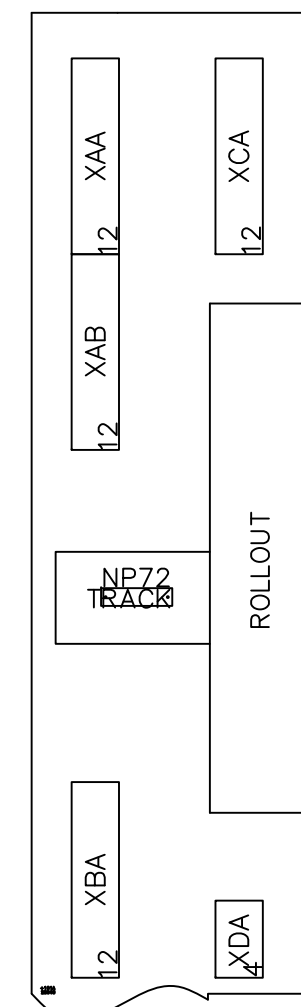
REV



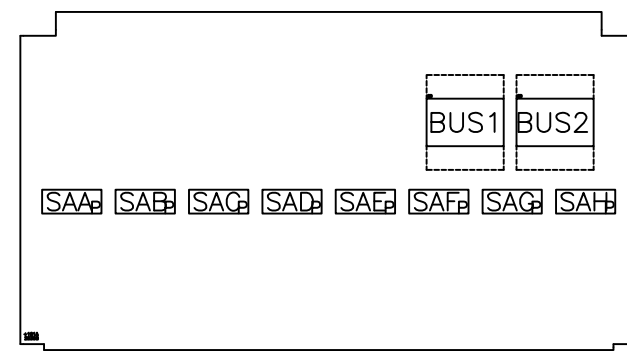
THIS DRAWING NOT TO SCALE	REV: 0	PowerVac Switchgear
	1024630101	PANEL LAYOUT - UNIT 101
	SH.NO. 6	REQUISITION: 360-28256
		DWG./DISK NO: 1024630101



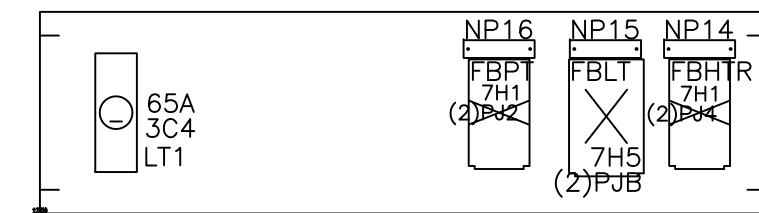
101A



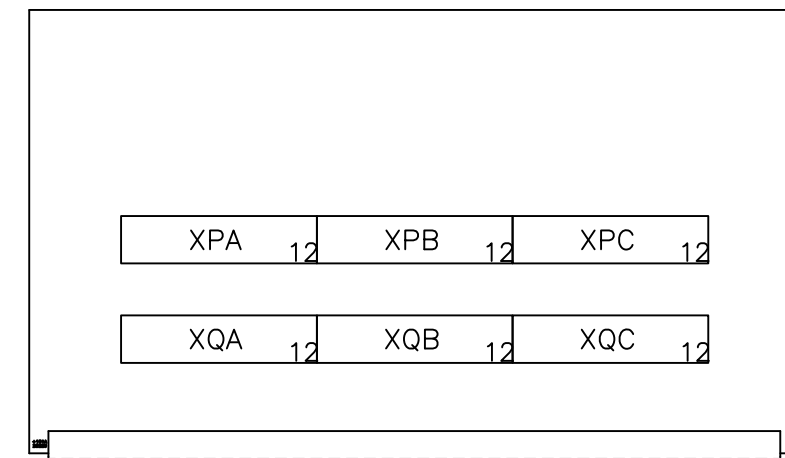
LEFT SIDE COMPT. SIDE SHEET UNIT - 101A



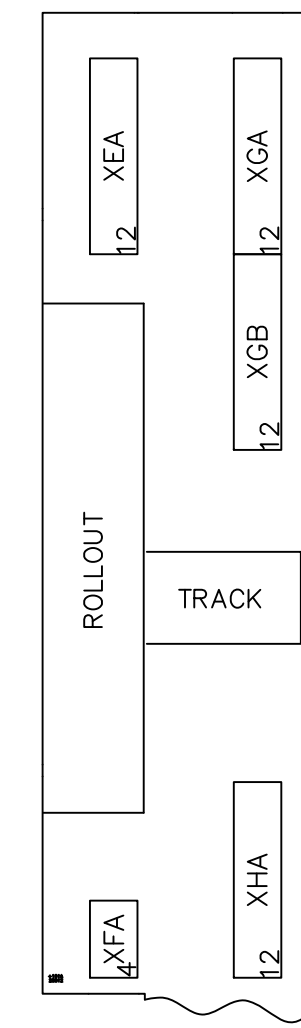
OVERHEAD PANEL UNIT - 101A



INTERNAL PANEL UNIT - 101A

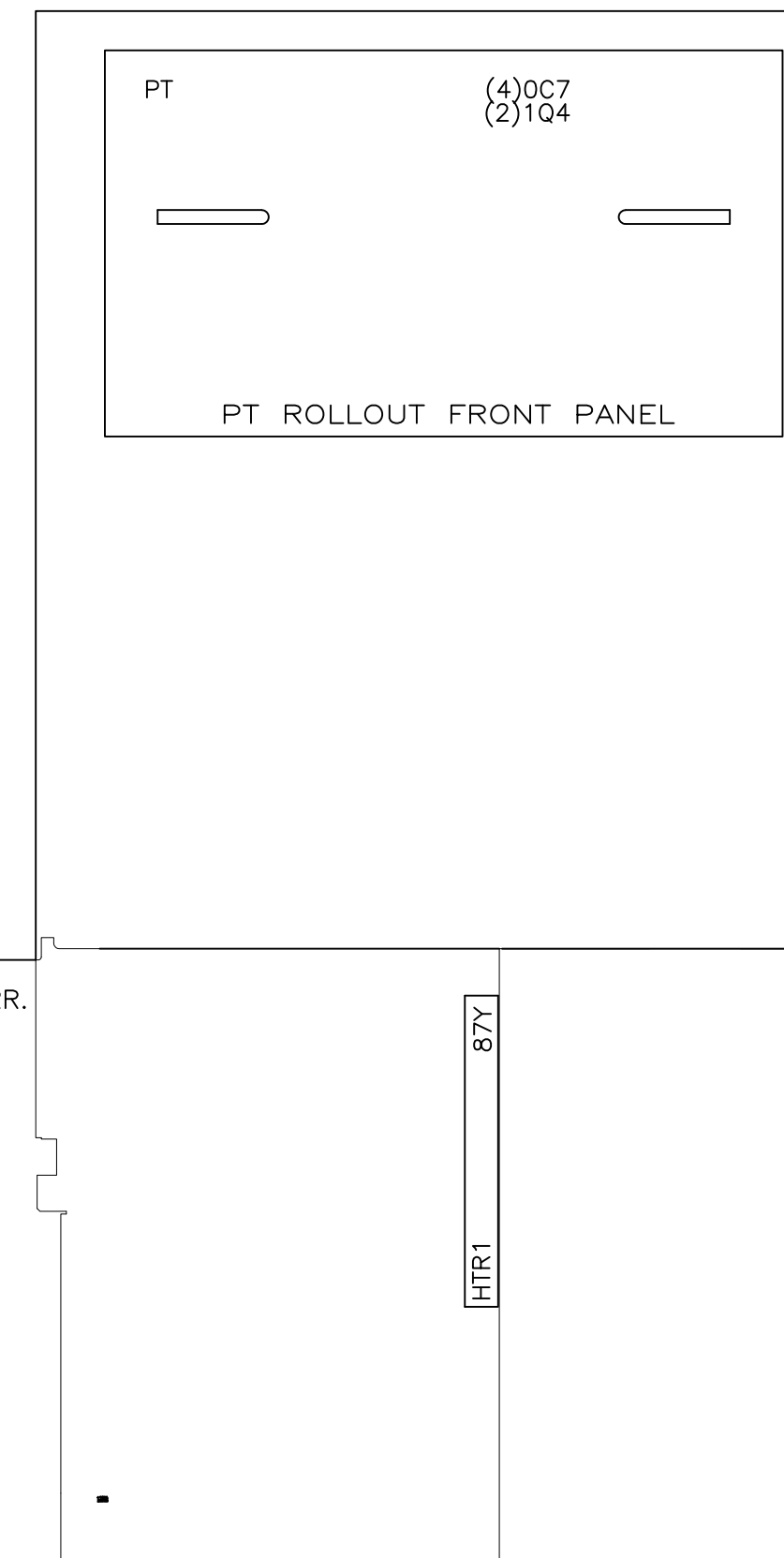


FRONT CROSS TROUGH UNIT - 101A

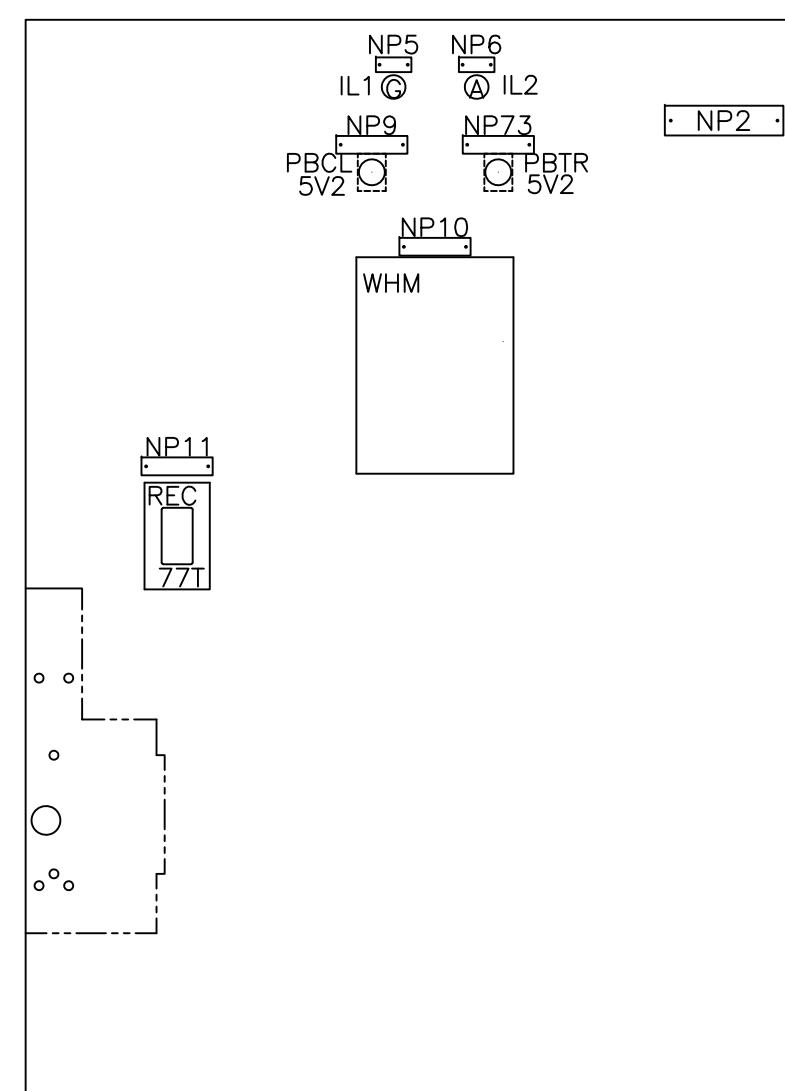


RIGHT SIDE COMPT. SIDE SHEET UNIT - 101A

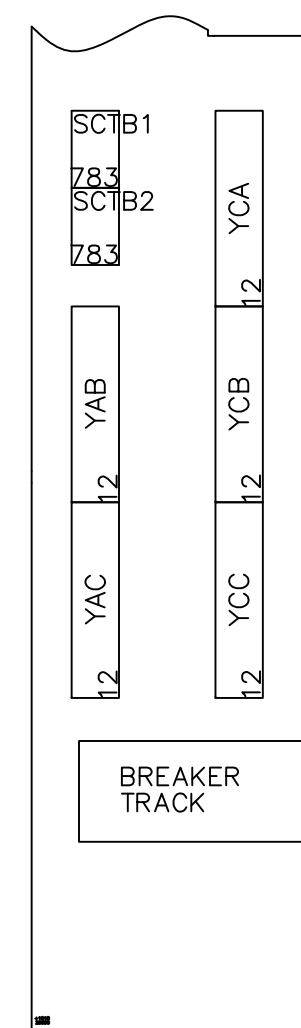
VERTICAL BARR.
HORIZONTAL BARR.



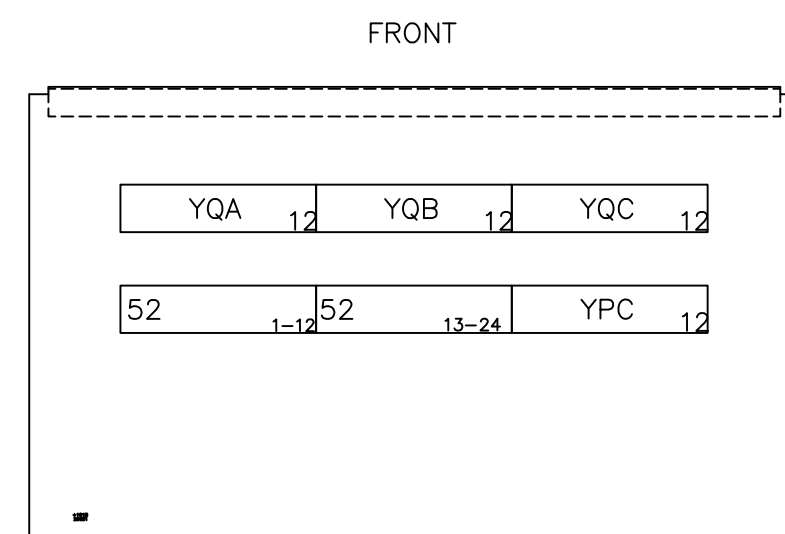
FRONT COMPARTMENT UNIT - 101A



101B



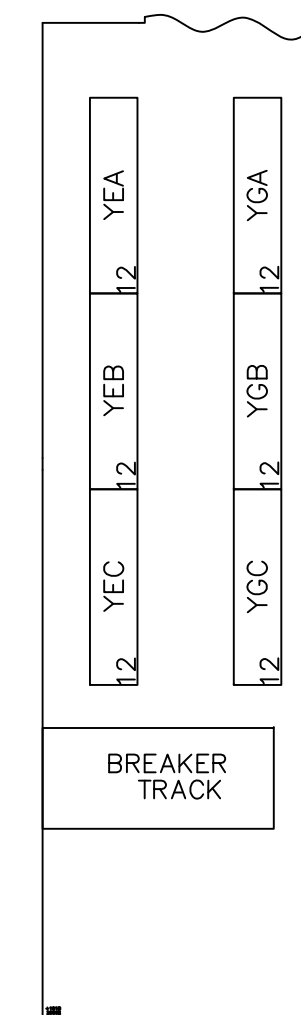
LEFT SIDE COMPT. SIDE SHEET UNIT - 101B



CROSS TROUGH UNIT - 101B

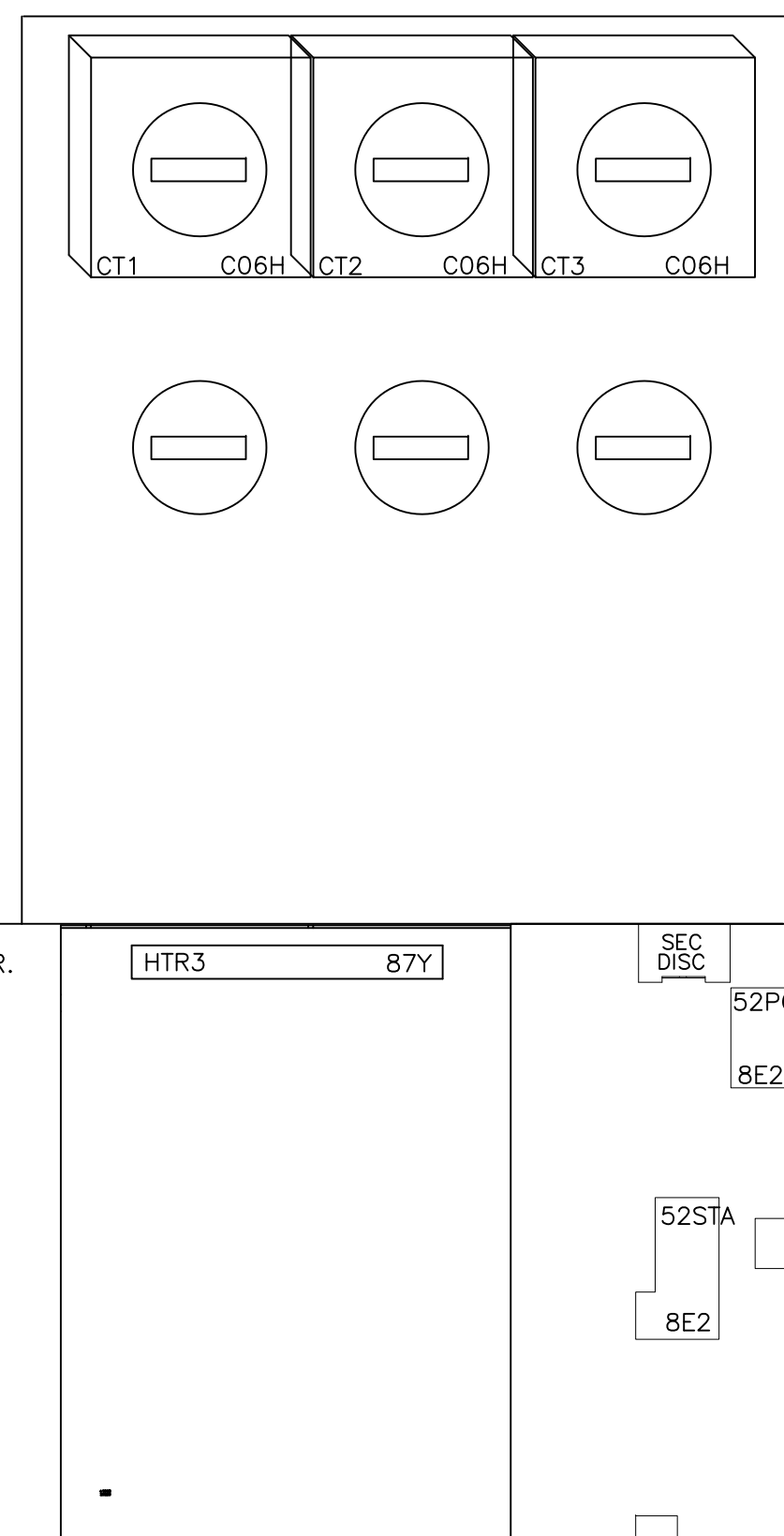


INTERNAL PANEL UNIT - 101B

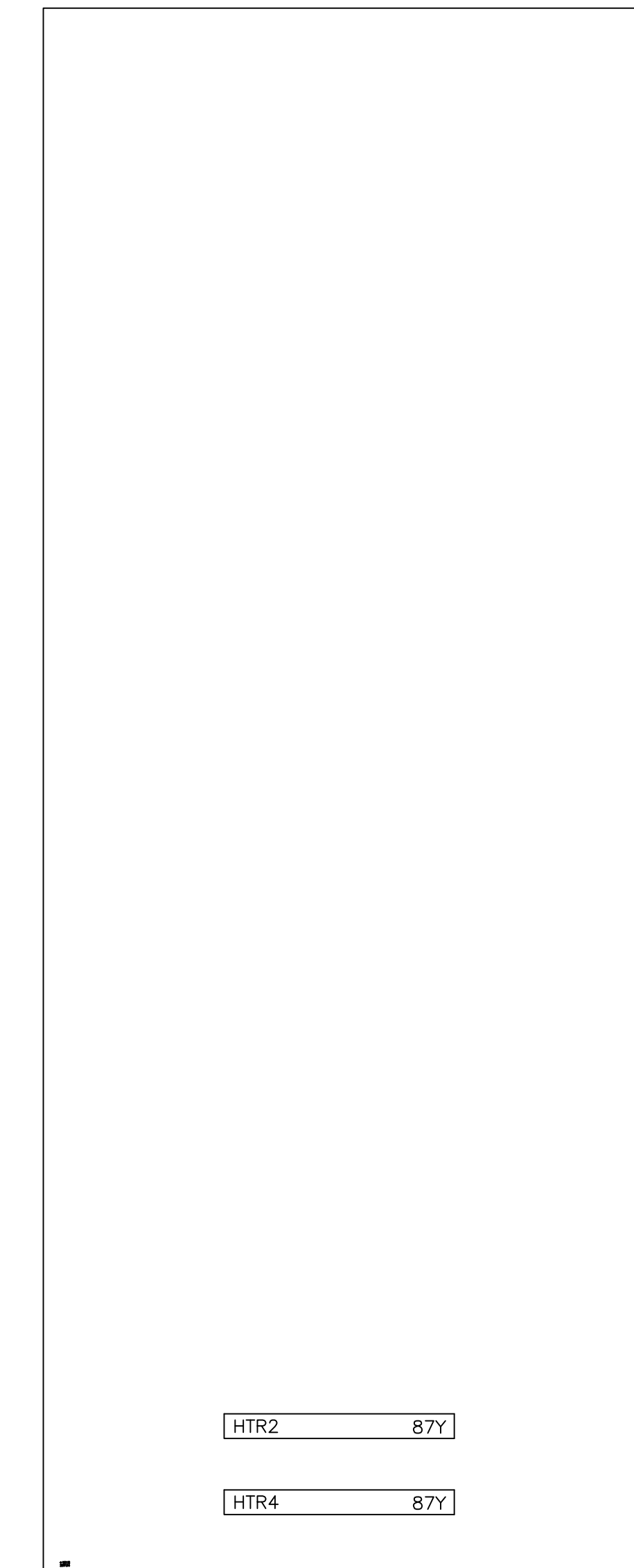


RIGHT SIDE COMPT. SIDE SHEET UNIT - 101B

VERTICAL BARR.
HORIZONTAL BARR.



FRONT COMPARTMENT UNIT - 101B



REAR VIEW UNIT 101S

Manufactured by POWELL



FOR APPROVAL ONLY NOT FOR CONSTRUCTION

Confidential Information! Must not be used in any way detrimental to Powell Industries. In the event this drawing is lost, mail to: Powell Electrical Systems, Inc. 12305 Kurland Dr., Houston, Texas 77034 Tel: (713) 709-1700		PowerVac Switchgear PANEL LAYOUT - UNIT 101	
DESIGNER:	GE PO: 0940000047	ENGINEER: Nguyen/Singh	REQ: 360-28256
DATE: 04/18/08	APPROVALS	ISSUED:	DWG./DISK NO: 1024630101
		HOUSTON, TX	SH.NO. 6

4

3

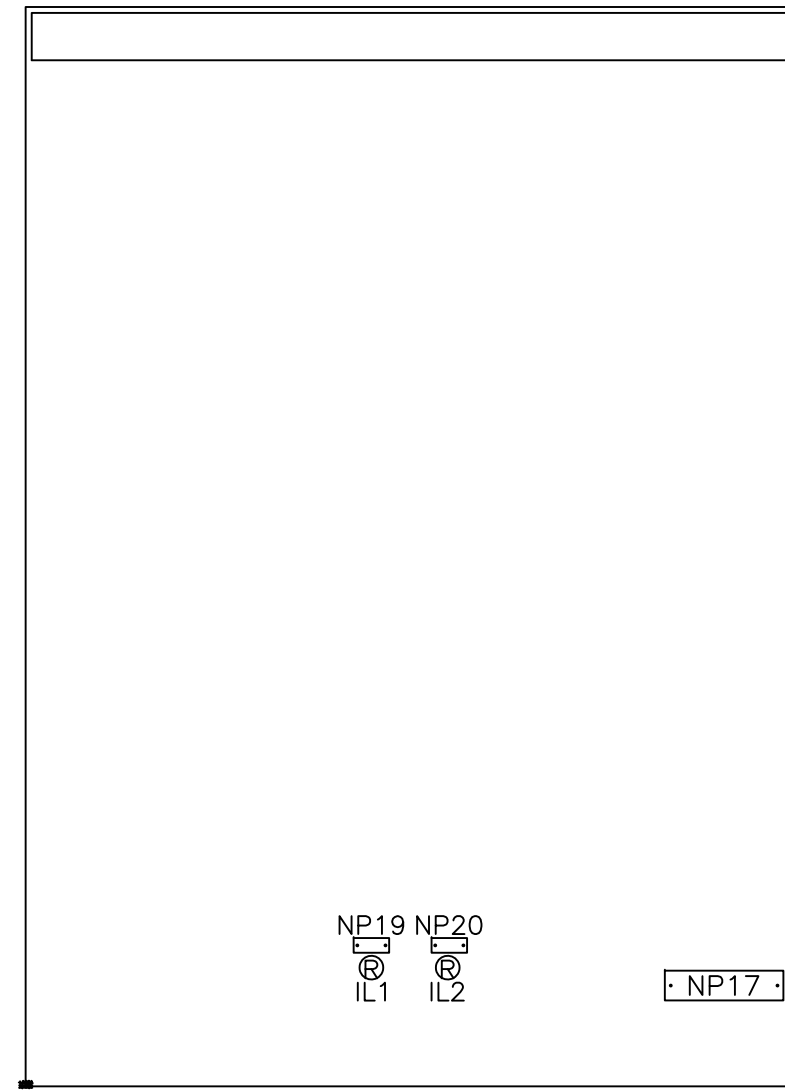
2

1

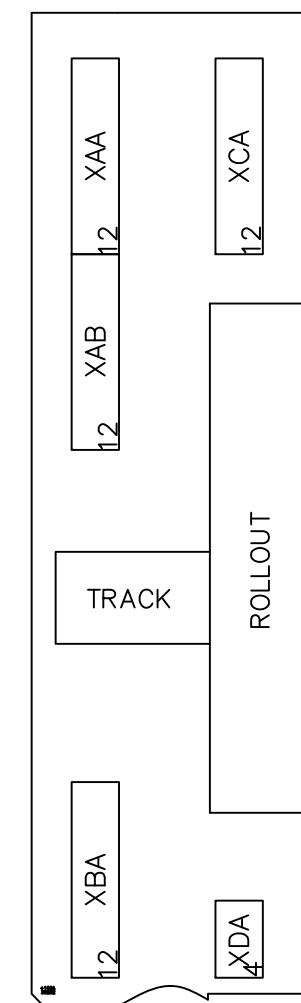
REV



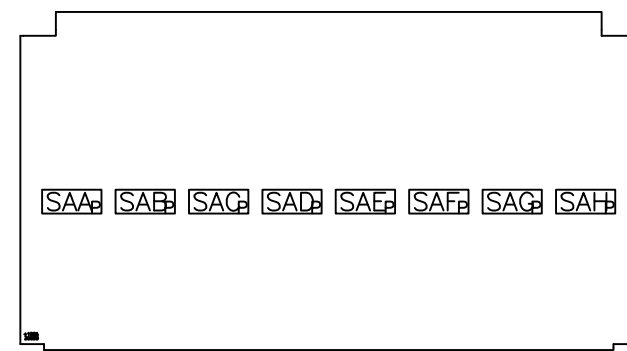
THIS DRAWING NOT TO SCALE	REV: 0 1024630101 SH.NO. 7	PowerVac Switchgear PANEL LAYOUT - UNIT 102 REQUISITION: 360-28256 DWG./DISK NO: 1024630101
---------------------------	----------------------------------	--



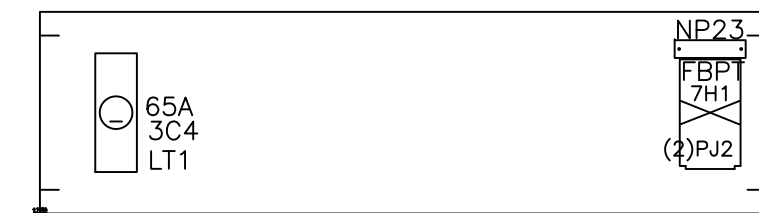
102A



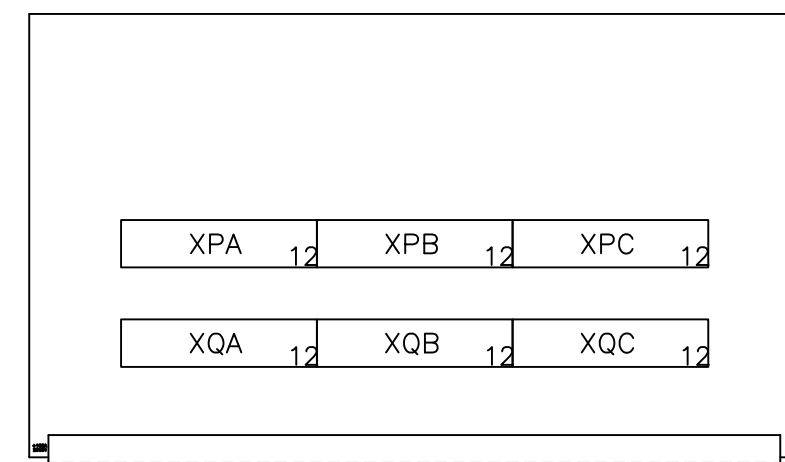
LEFT SIDE COMPT. SIDE SHEET UNIT - 102A



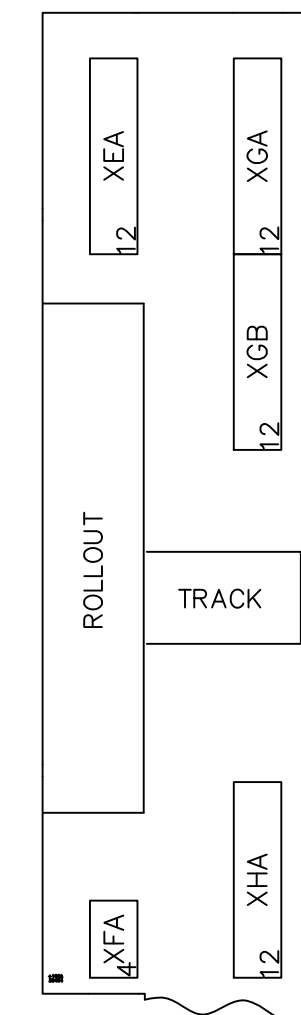
OVERHEAD PANEL UNIT - 102A



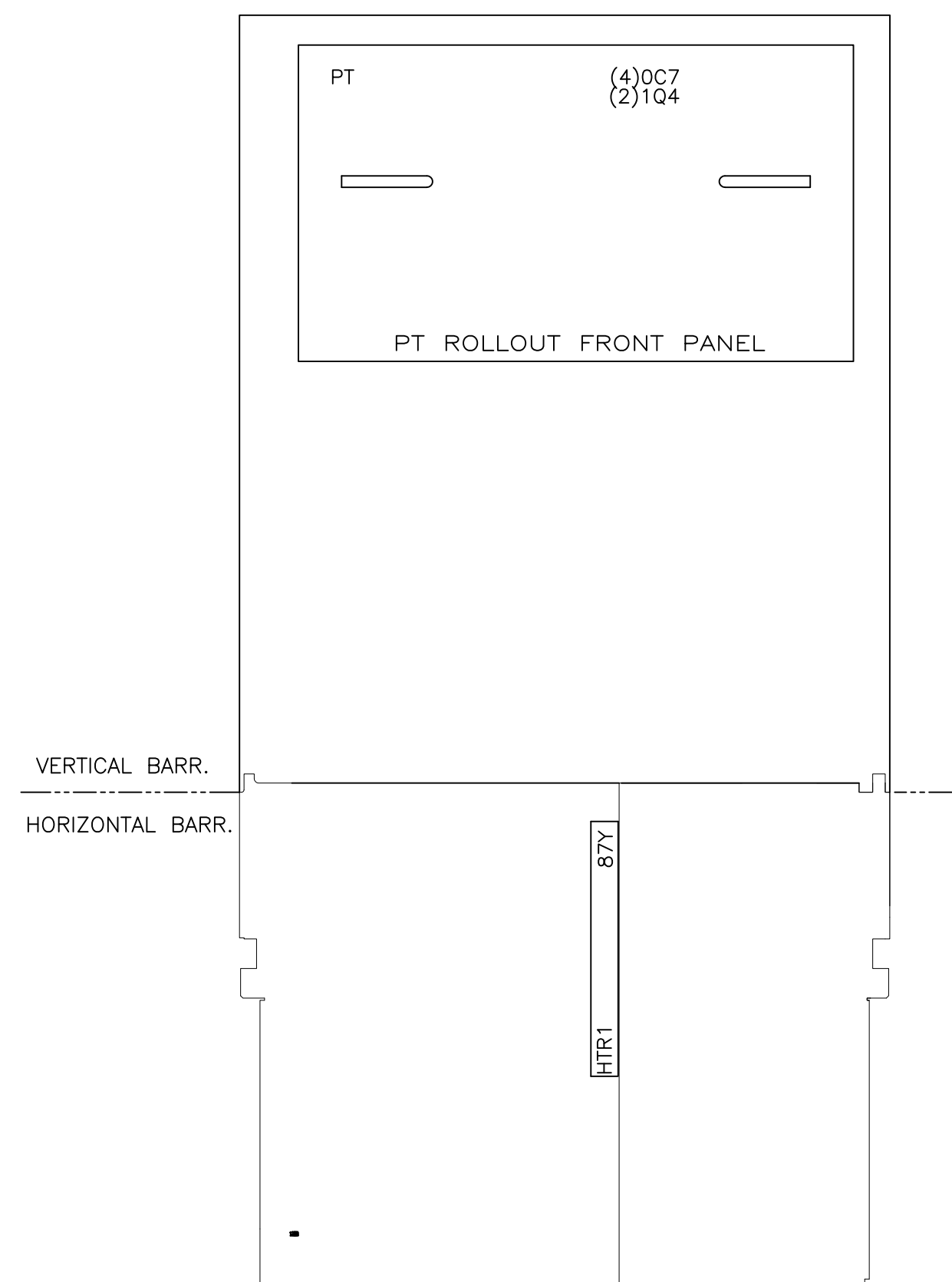
INTERNAL PANEL UNIT - 102A



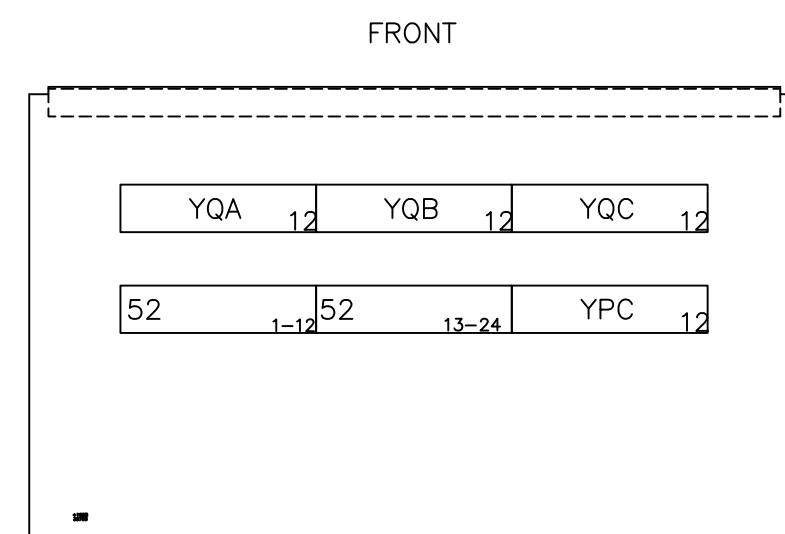
FRONT CROSS TROUGH UNIT - 102A



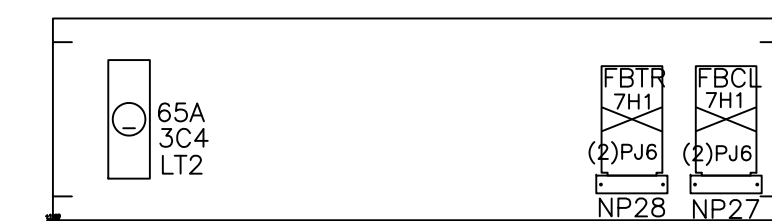
RIGHT SIDE COMPT. SIDE SHEET UNIT - 102A



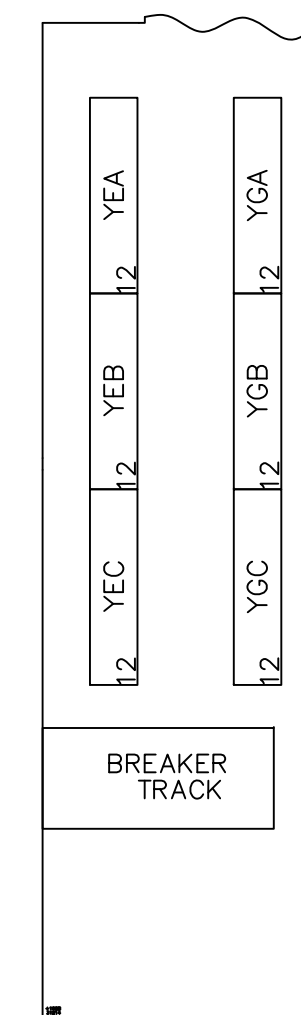
FRONT COMPARTMENT UNIT - 102A



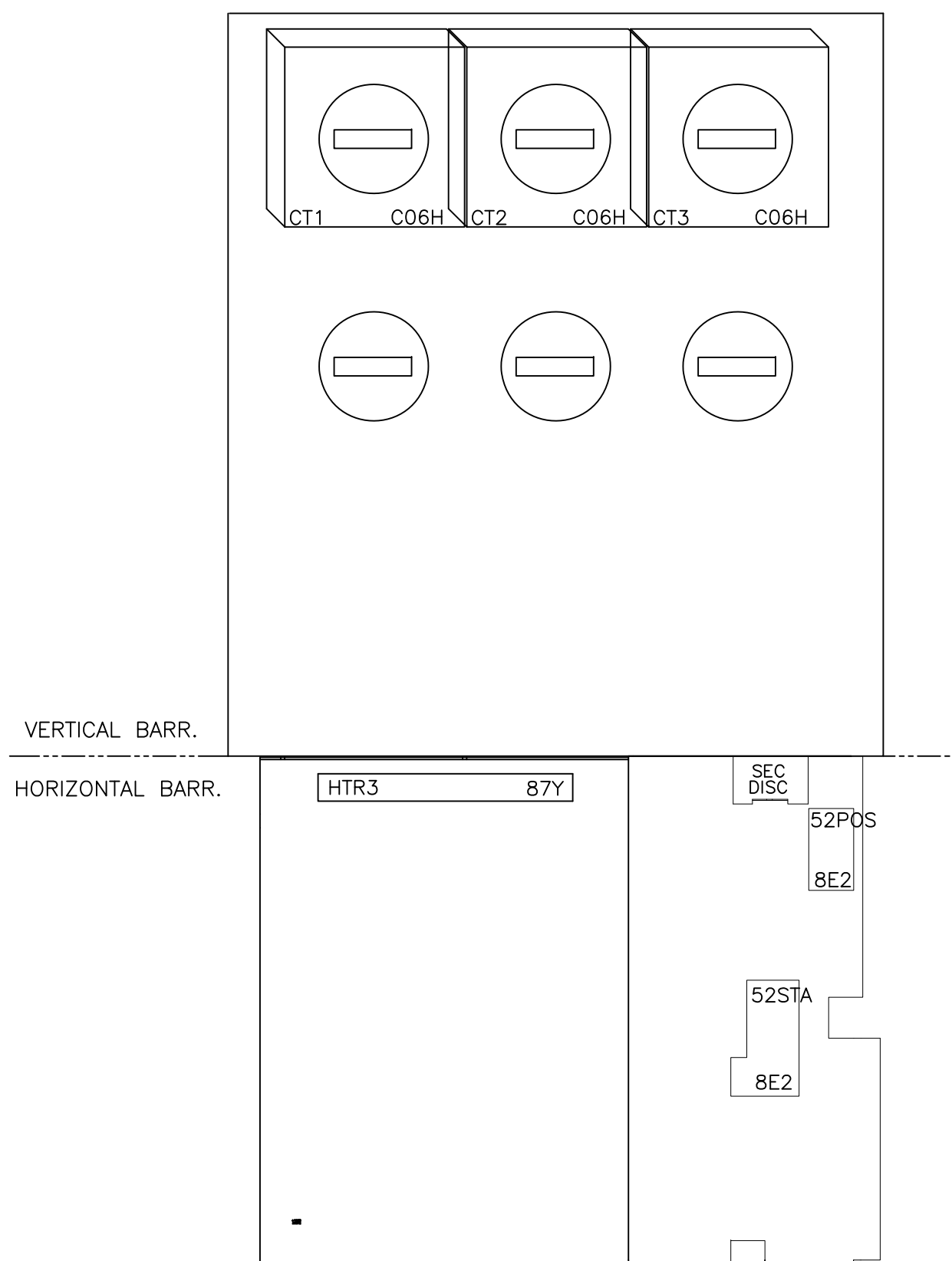
CROSS TROUGH UNIT - 102B



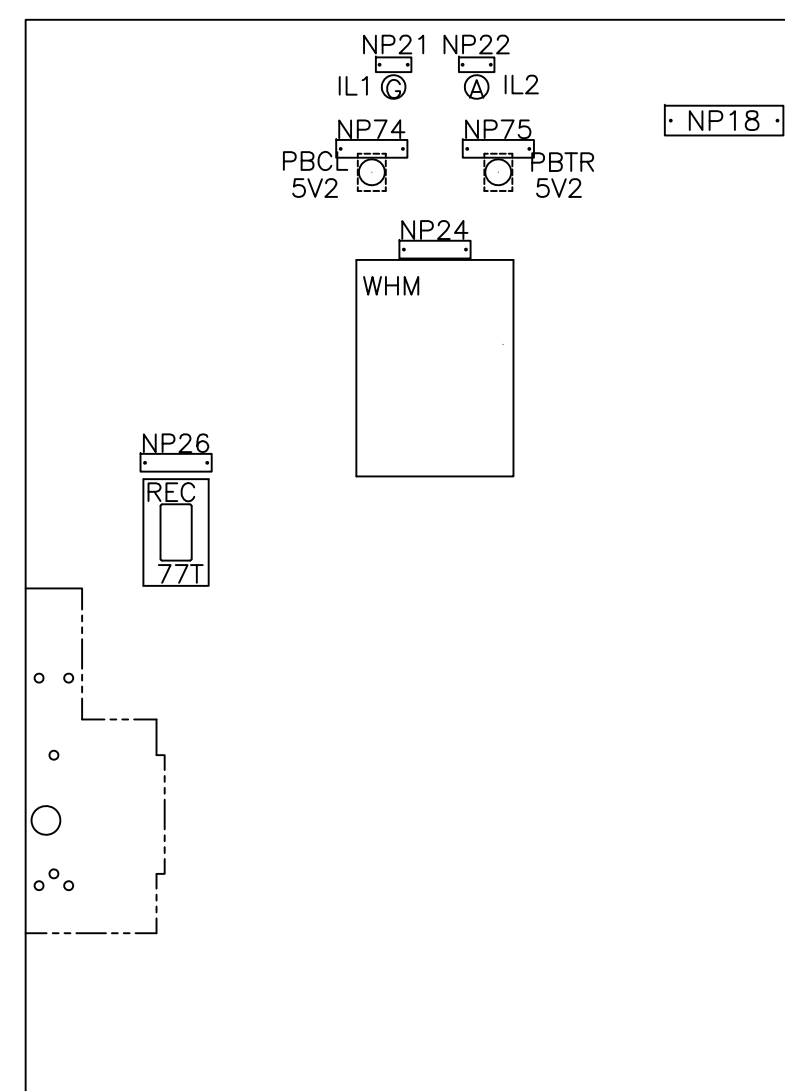
INTERNAL PANEL UNIT - 102B



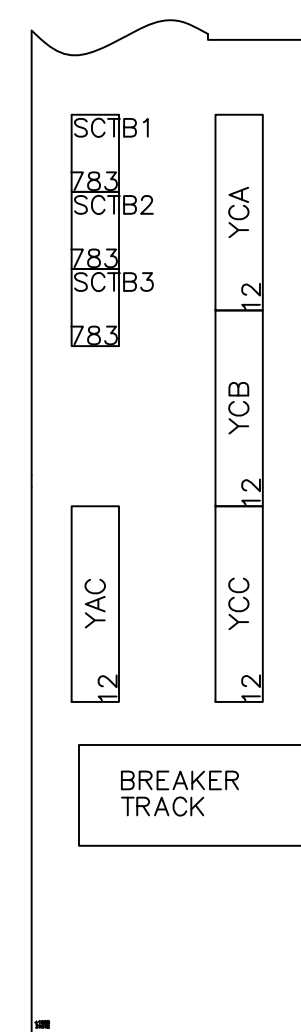
RIGHT SIDE COMPT. SIDE SHEET UNIT - 102B



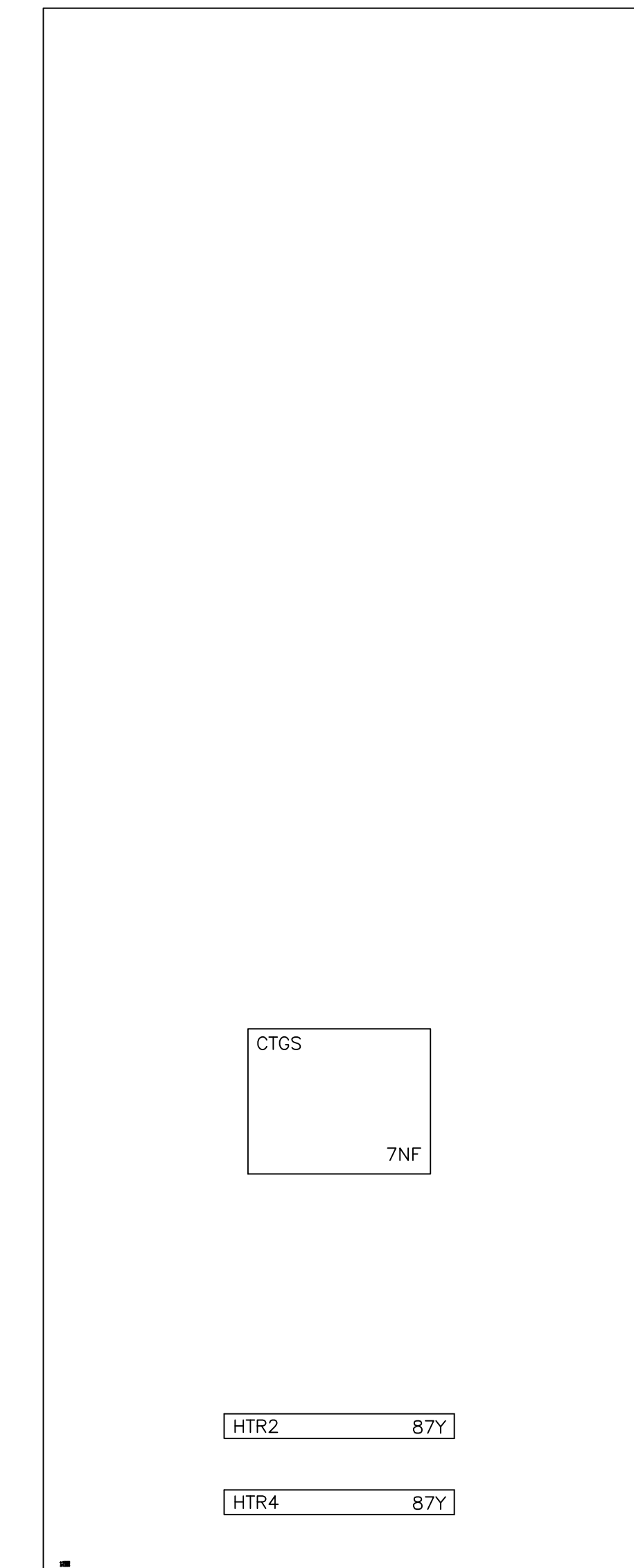
FRONT COMPARTMENT UNIT - 102B



102B



LEFT SIDE COMPT. SIDE SHEET UNIT - 102B



REAR VIEW UNIT 102B

Manufactured by **POWELL**

FOR APPROVAL ONLY
NOT FOR CONSTRUCTION

PowerVac Switchgear PANEL LAYOUT - UNIT 102	
DESIGNER:	GE PO: 0940000047
ENGINEER: Nguyen/Singh	REQ: 360-28256
DATE: 04/18/08	DWG./DISK NO: 1024630101
ISSUED:	HOUSTON, TX
	SH.NO. 7

Confidential Information! Must not be used in any way detrimental to Powell Industries. In the event this drawing is lost, mail to: Powell Electrical Systems, Inc. 12305 Kurland Dr., Houston, Texas 77034 Tel: (713) 709-1700

4

3

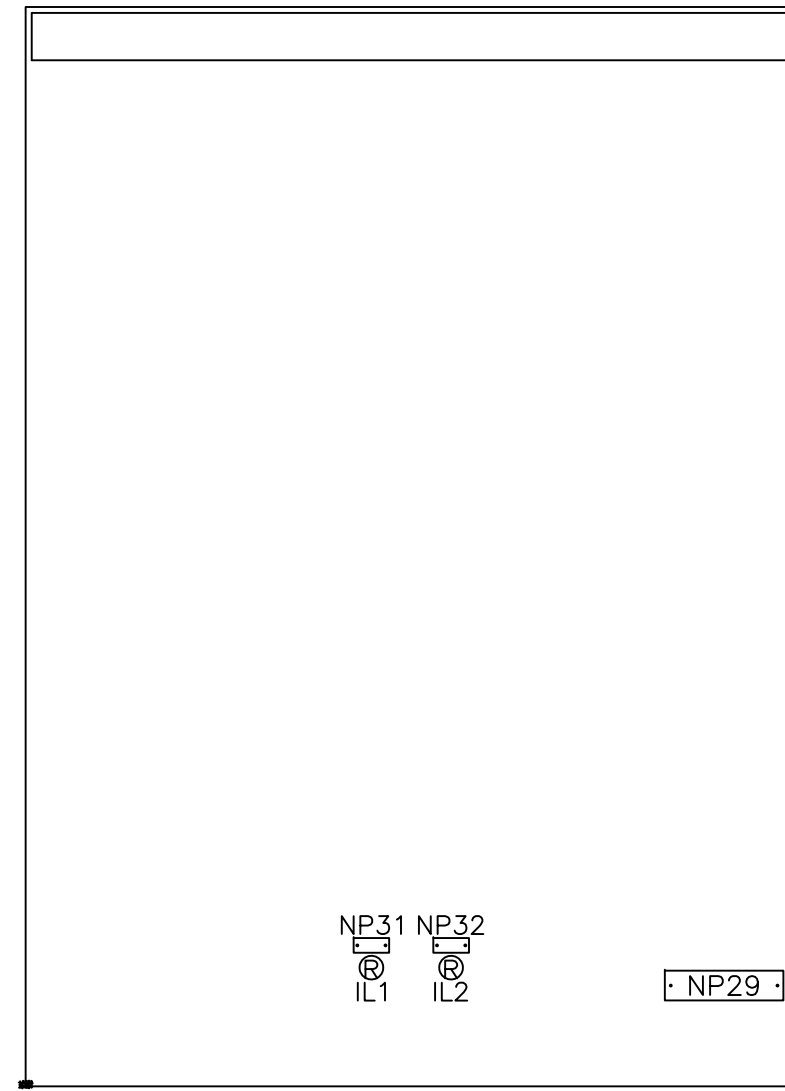
2

1

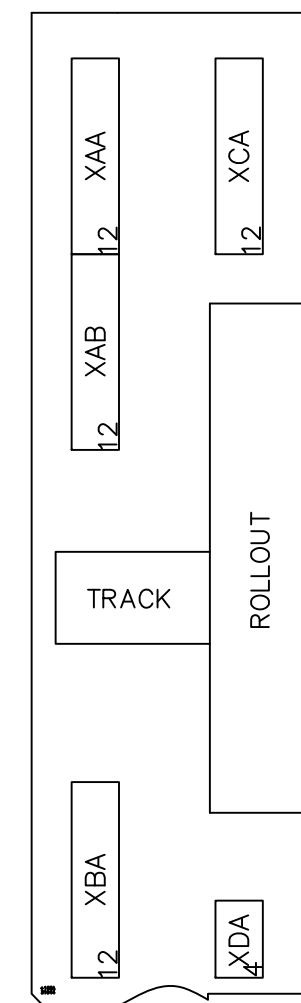
REV



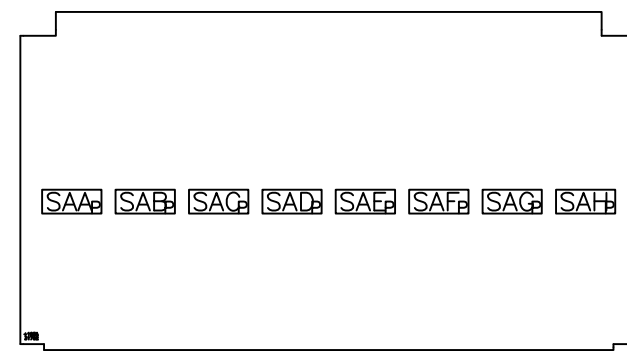
THIS DRAWING NOT TO SCALE	REV: 0 1024630101 SH.NO. 8	PowerVac Switchgear PANEL LAYOUT - UNIT 103 REQUISITION: 360-28256 DWG./DISK NO: 1024630101
---------------------------	----------------------------------	--



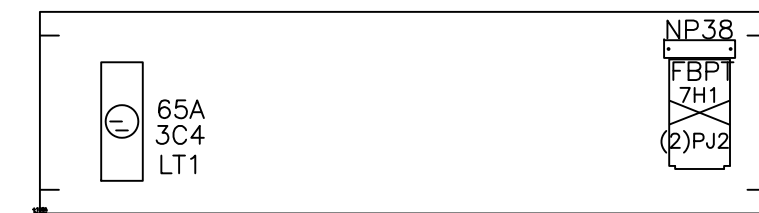
103A



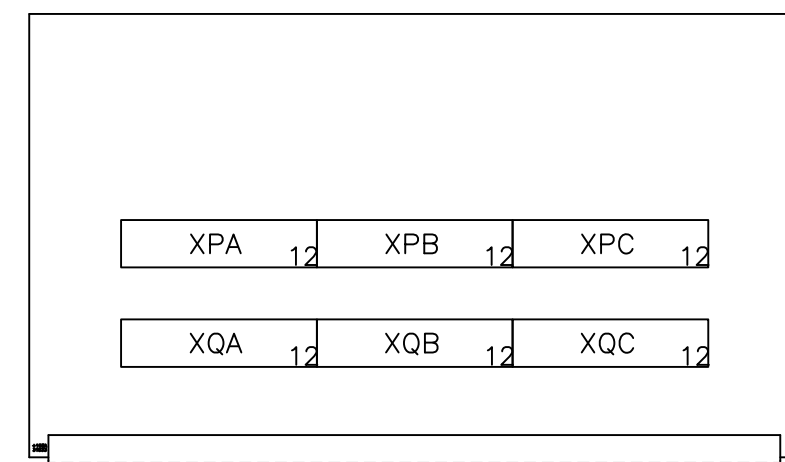
LEFT SIDE COMPT. SIDE SHEET UNIT - 103A



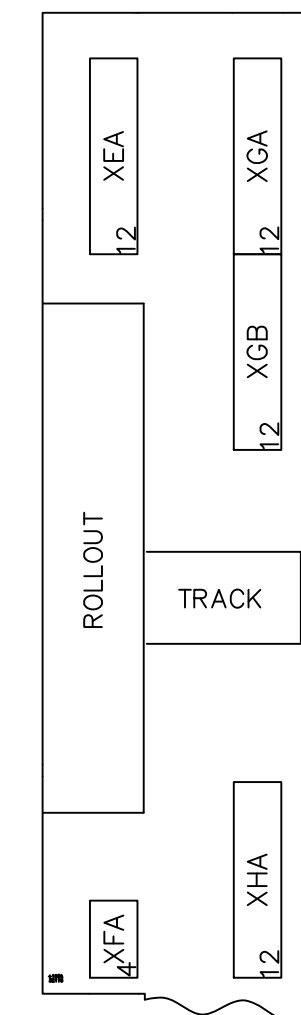
OVERHEAD PANEL UNIT - 103A



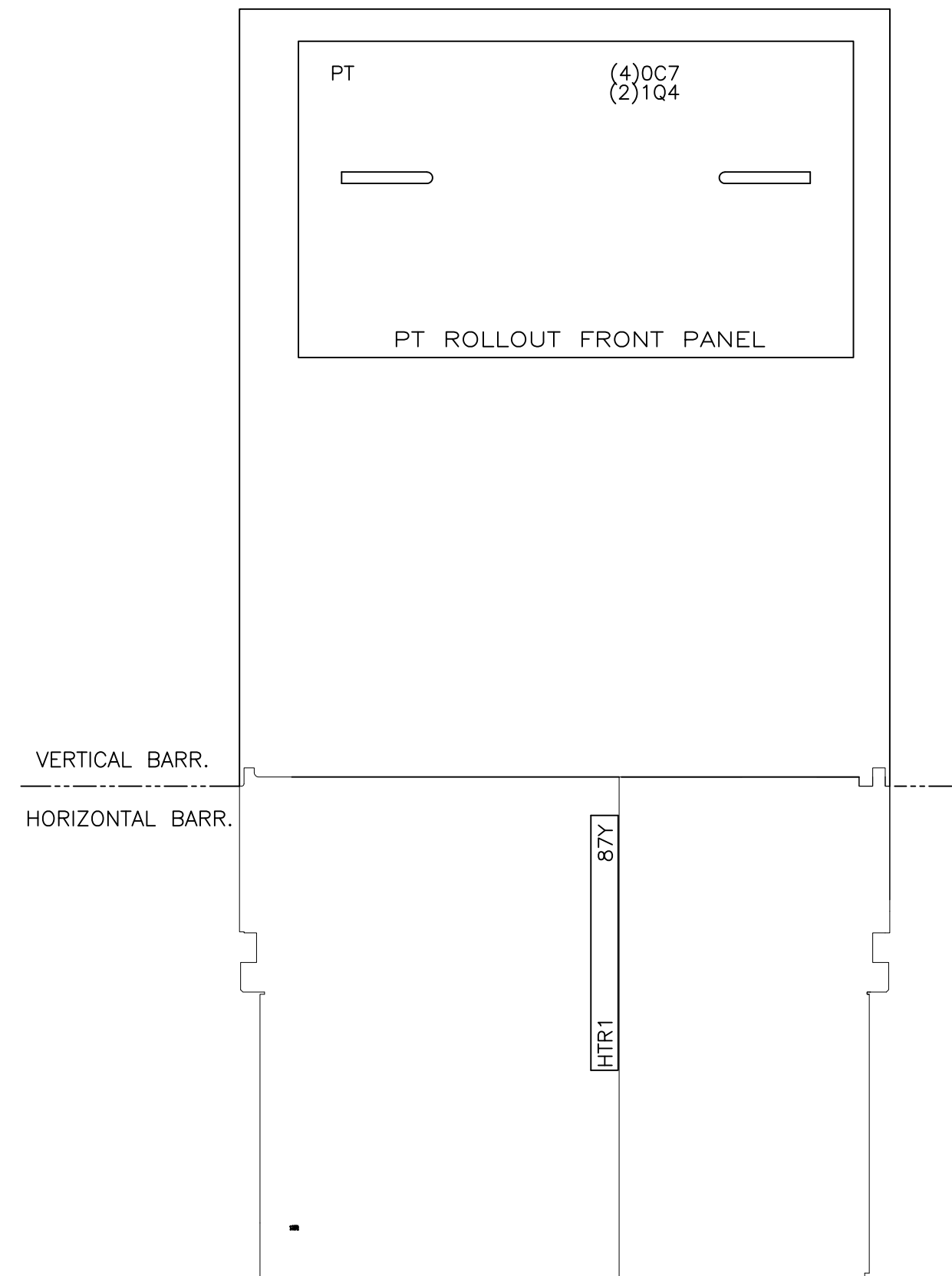
INTERNAL PANEL UNIT - 103A



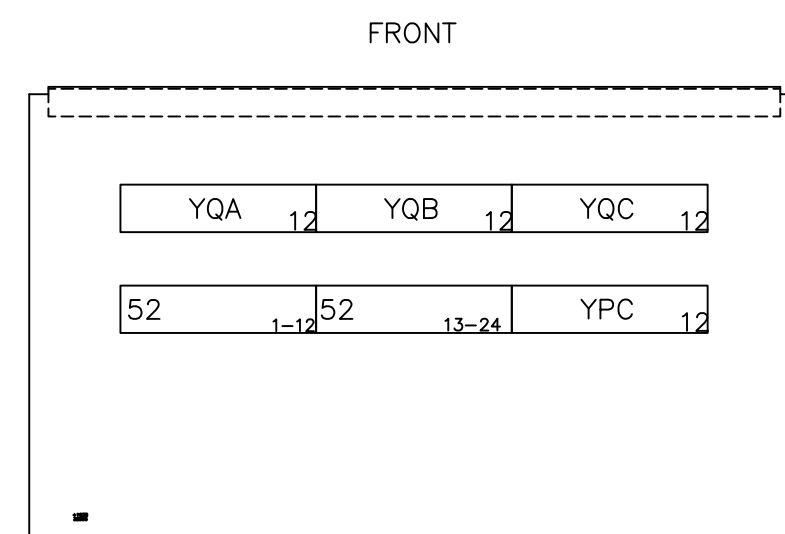
FRONT CROSS TROUGH UNIT - 103A



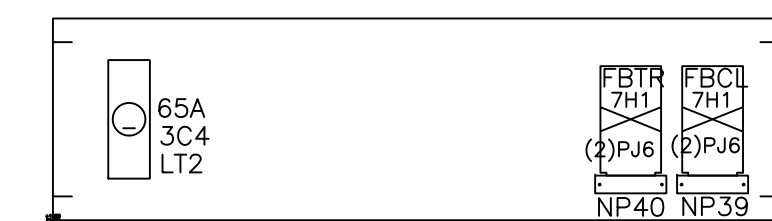
RIGHT SIDE COMPT. SIDE SHEET UNIT - 103A



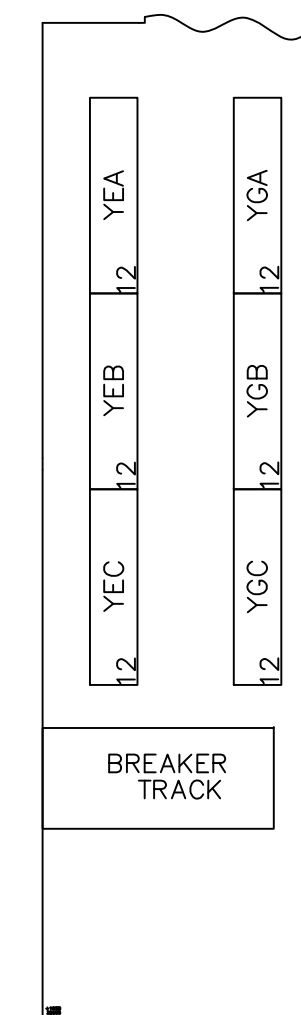
FRONT COMPARTMENT UNIT - 103A



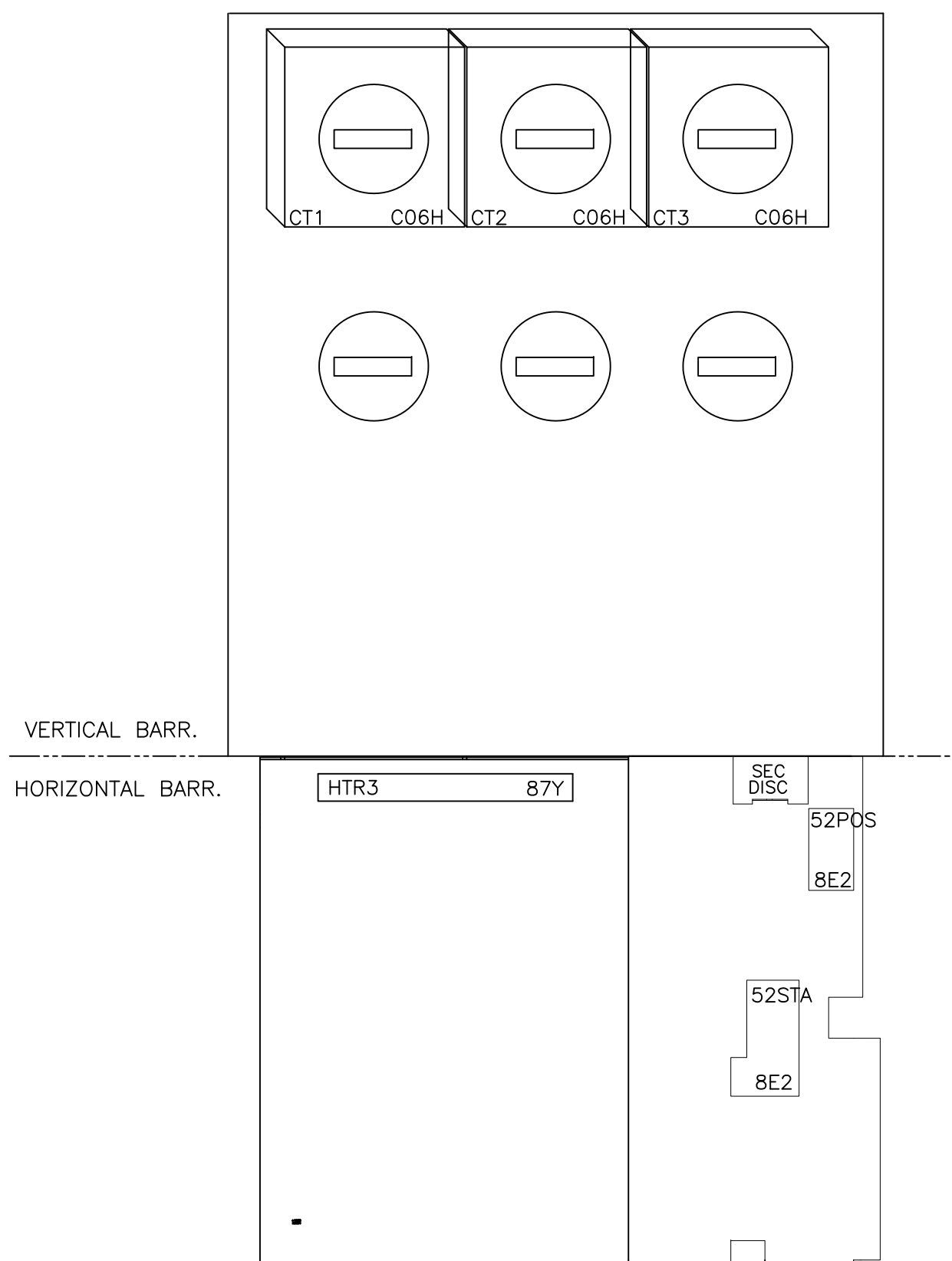
CROSS TROUGH UNIT - 103B



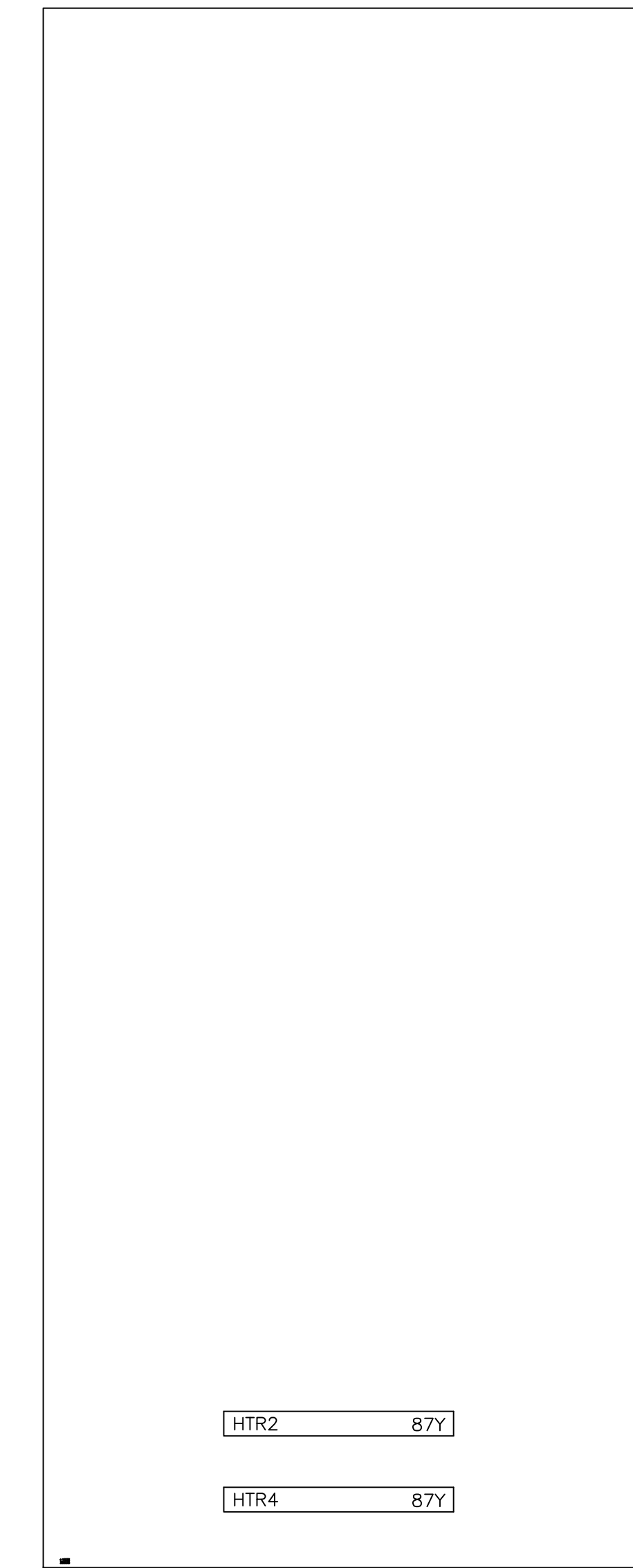
INTERNAL PANEL UNIT - 103B



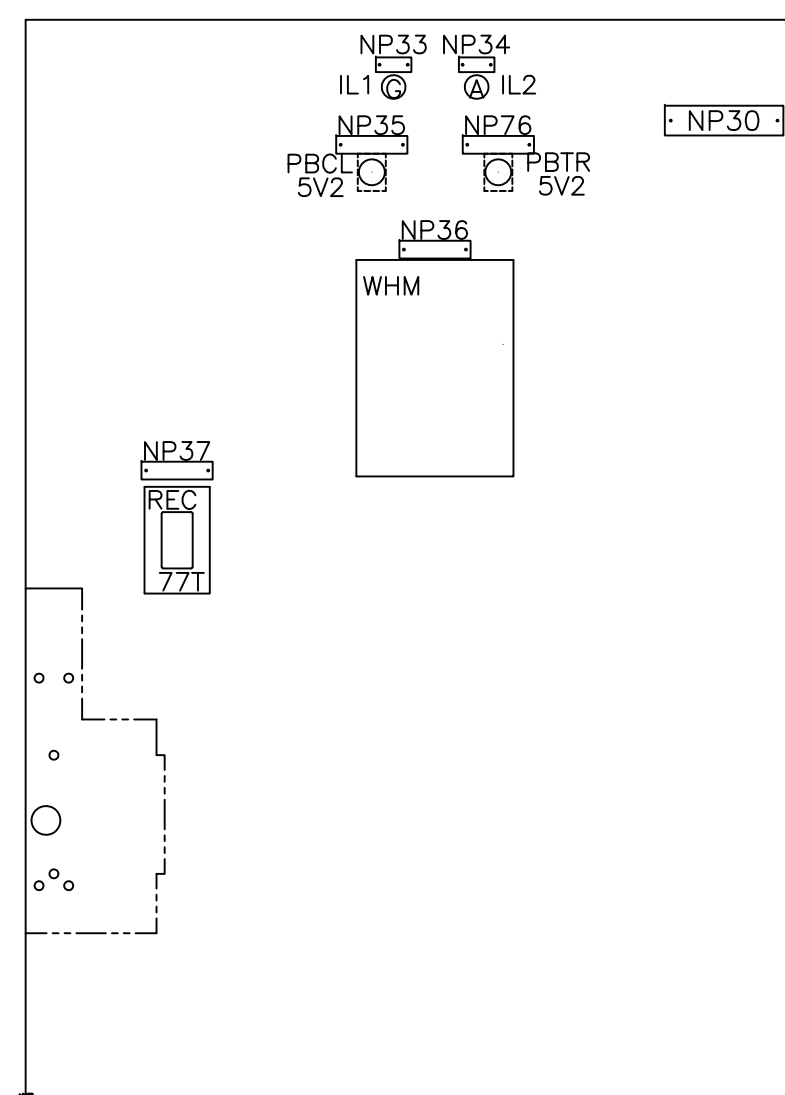
RIGHT SIDE COMPT. SIDE SHEET UNIT - 103B



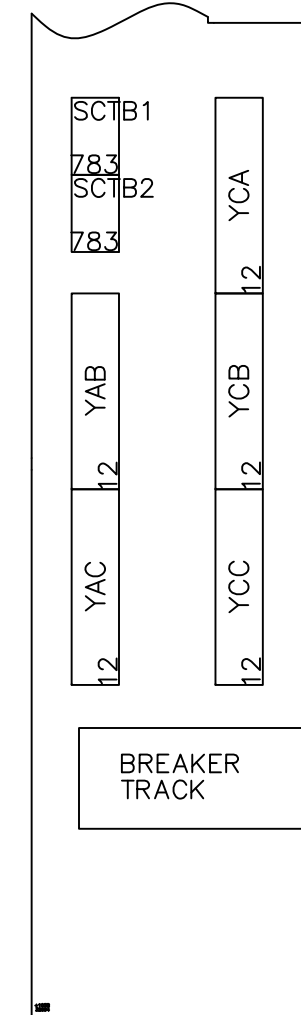
FRONT COMPARTMENT UNIT - 103B



REAR VIEW 103S



103B



LEFT SIDE COMPT. SIDE SHEET UNIT - 103B

Manufactured by **POWELL**

FOR APPROVAL ONLY
NOT FOR CONSTRUCTION

Confidential Information! Must not be used in any way detrimental to Powell Industries. In the event this drawing is lost, mail to: Powell Electrical Systems, Inc. 12305 Kurland Dr., Houston, Texas 77034 Tel: (713) 709-1700

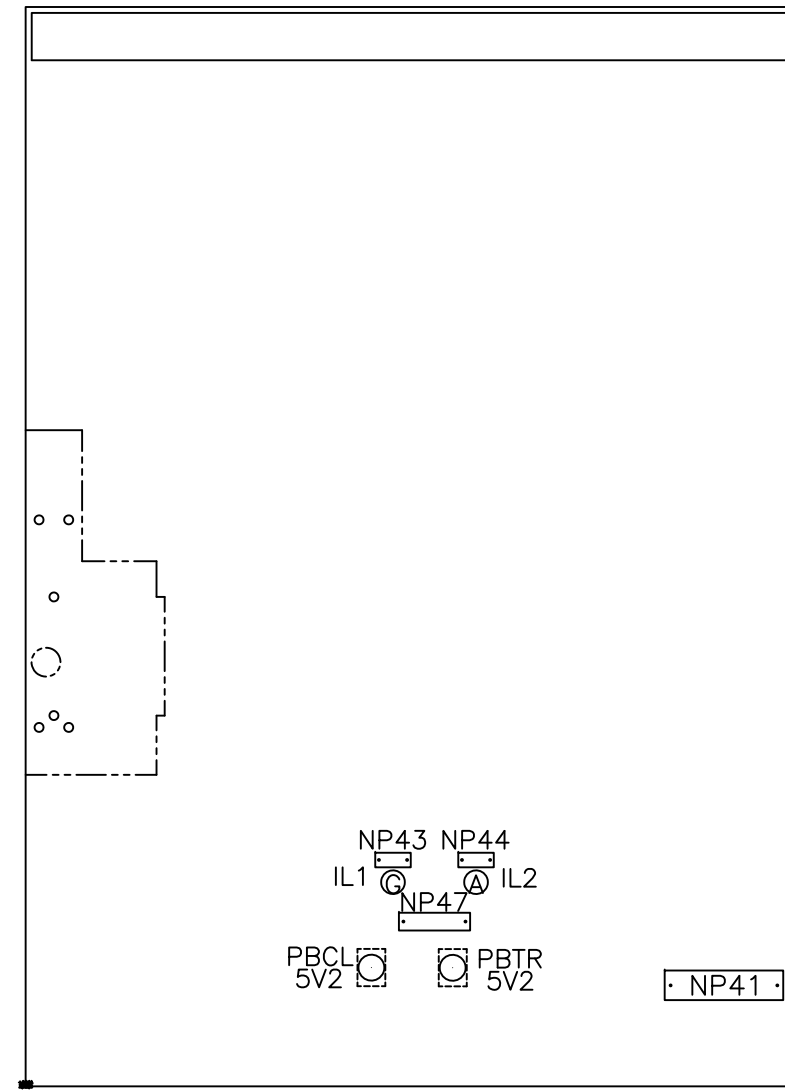
PowerVac Switchgear
PANEL LAYOUT - UNIT 103

DESIGNER:	GE PO: 0940000047
ENGINEER: Nguyen/Singh	REQ: 360-28256
DATE: 04/18/08	DWG./DISK NO: 1024630101
ISSUED:	HOUSTON, TX
APPROVALS:	SH.NO. 8

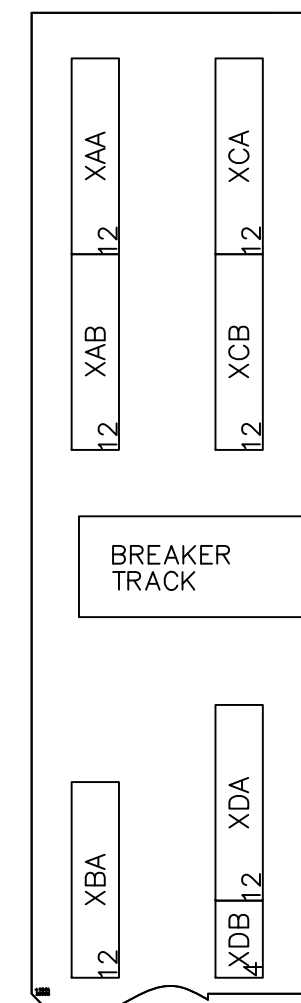
4
3
2
1
REV



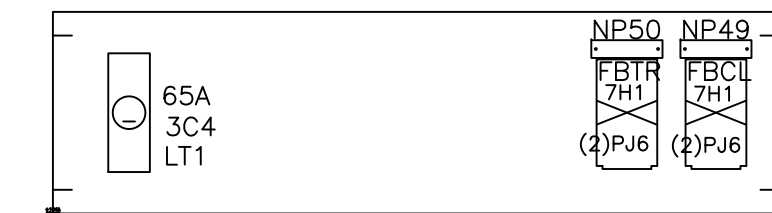
THIS DRAWING NOT TO SCALE	REV: 0	PowerVac Switchgear
	1024630101	PANEL LAYOUT - UNIT 104
	SH.NO. 9	REQUISITION: 360-28256
		DWG./DISK NO: 1024630101



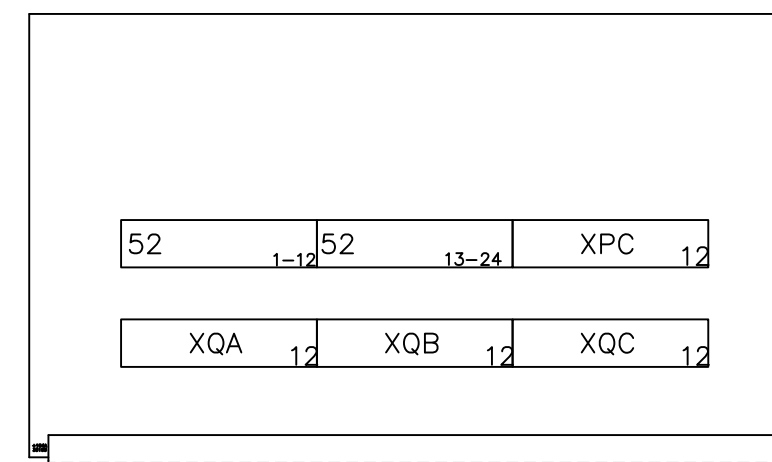
104A



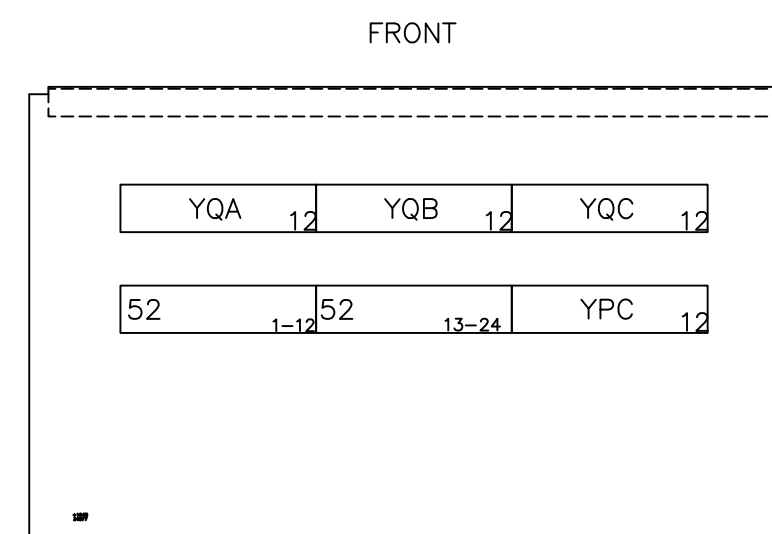
LEFT SIDE COMPT. SIDE SHEET UNIT - 104A



INTERNAL PANEL UNIT - 104A



FRONT CROSS TROUGH UNIT - 104A

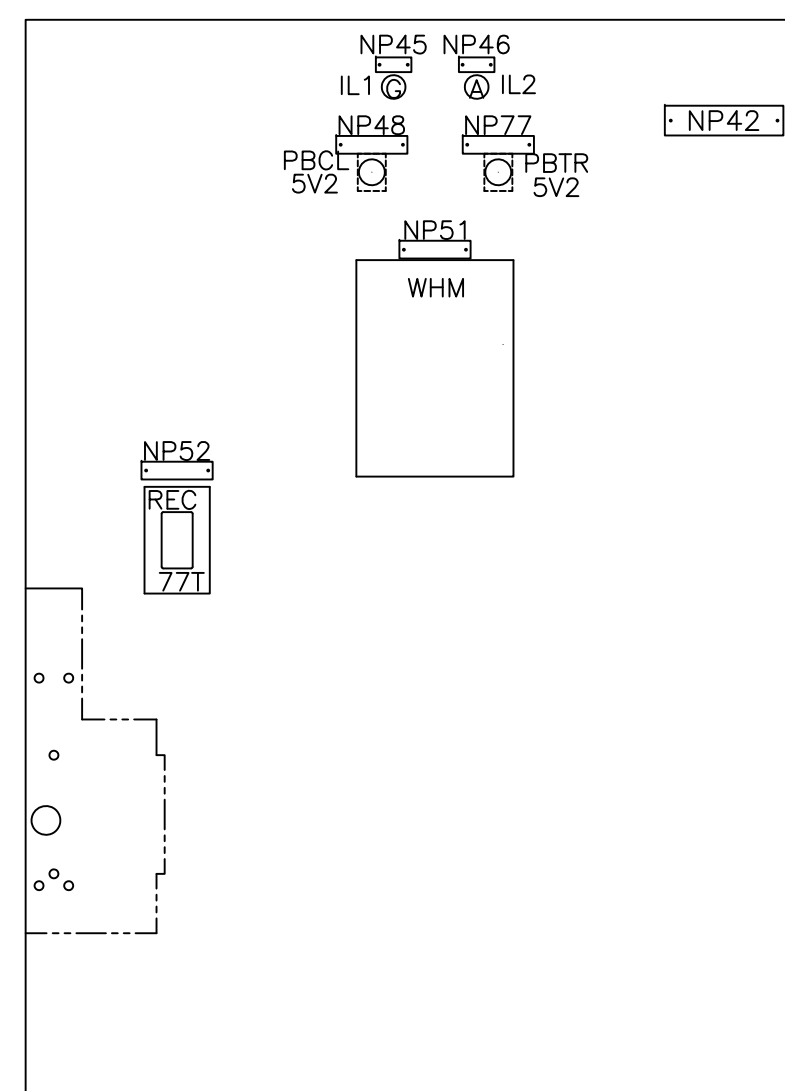


FRONT

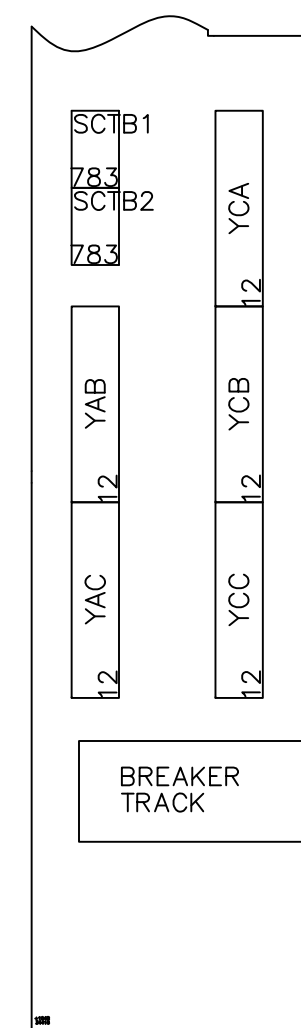
CROSS TROUGH UNIT - 104B



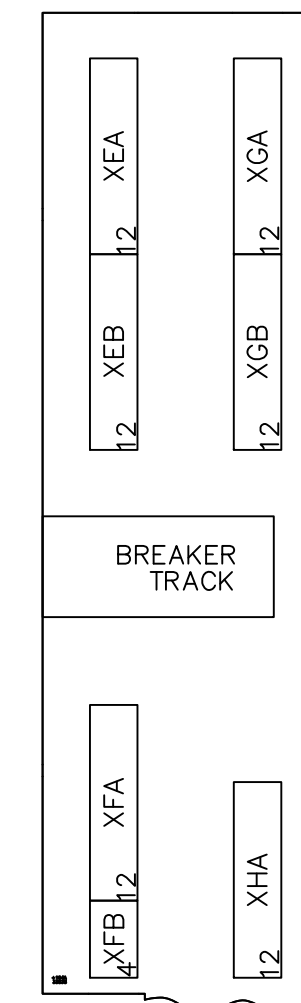
INTERNAL PANEL UNIT - 104B



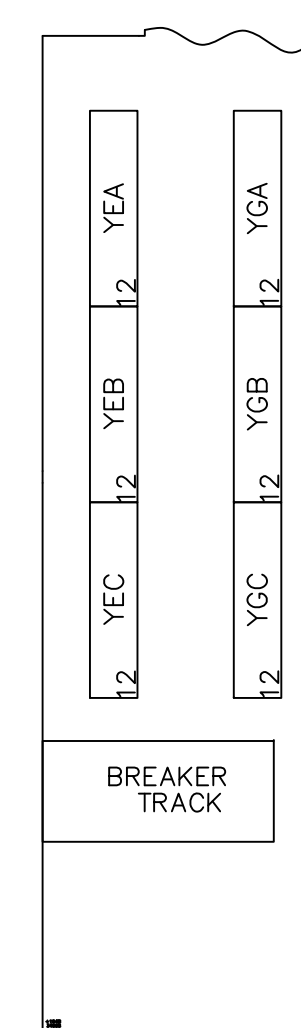
104B



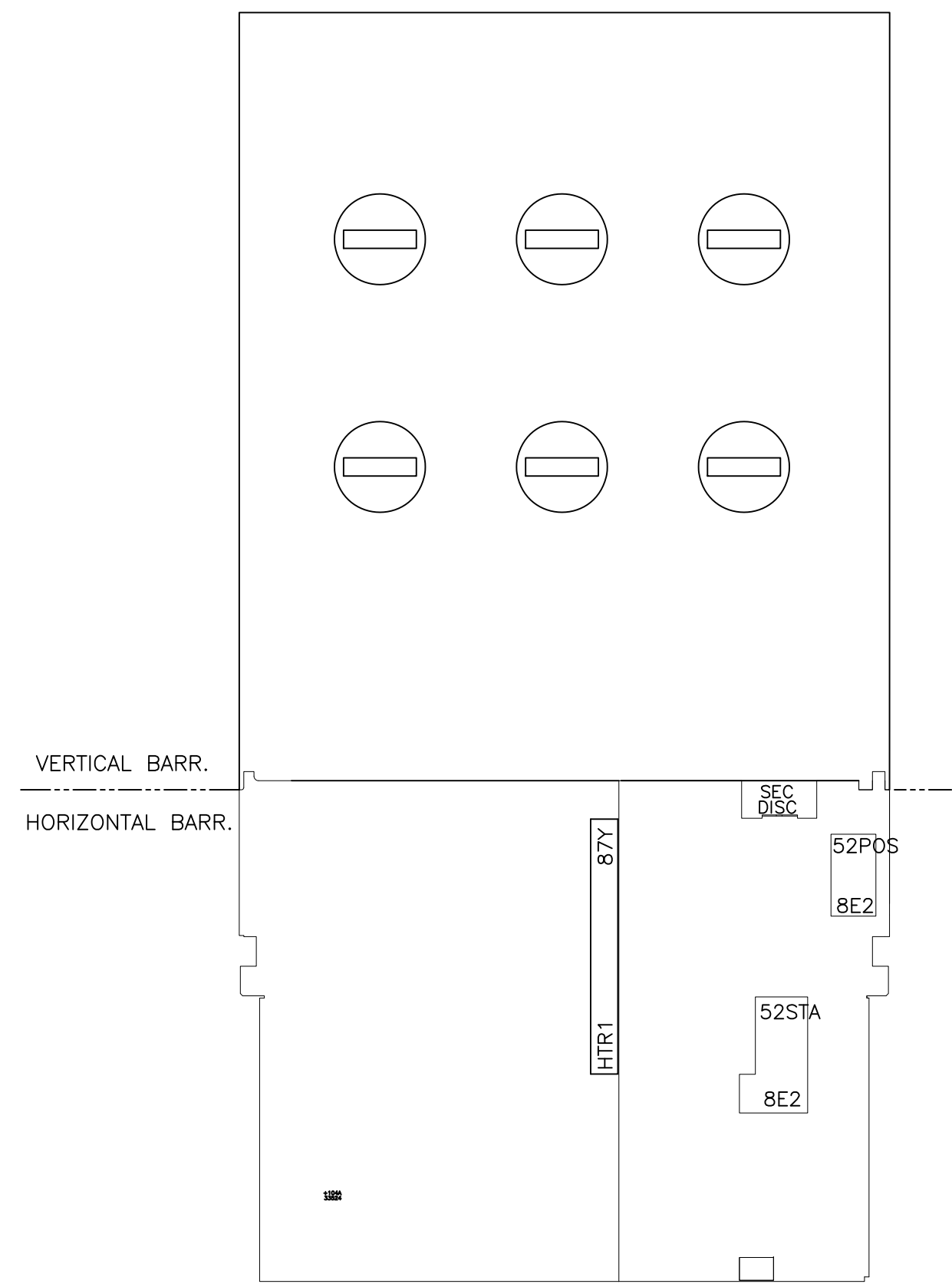
LEFT SIDE COMPT. SIDE SHEET UNIT - 104B



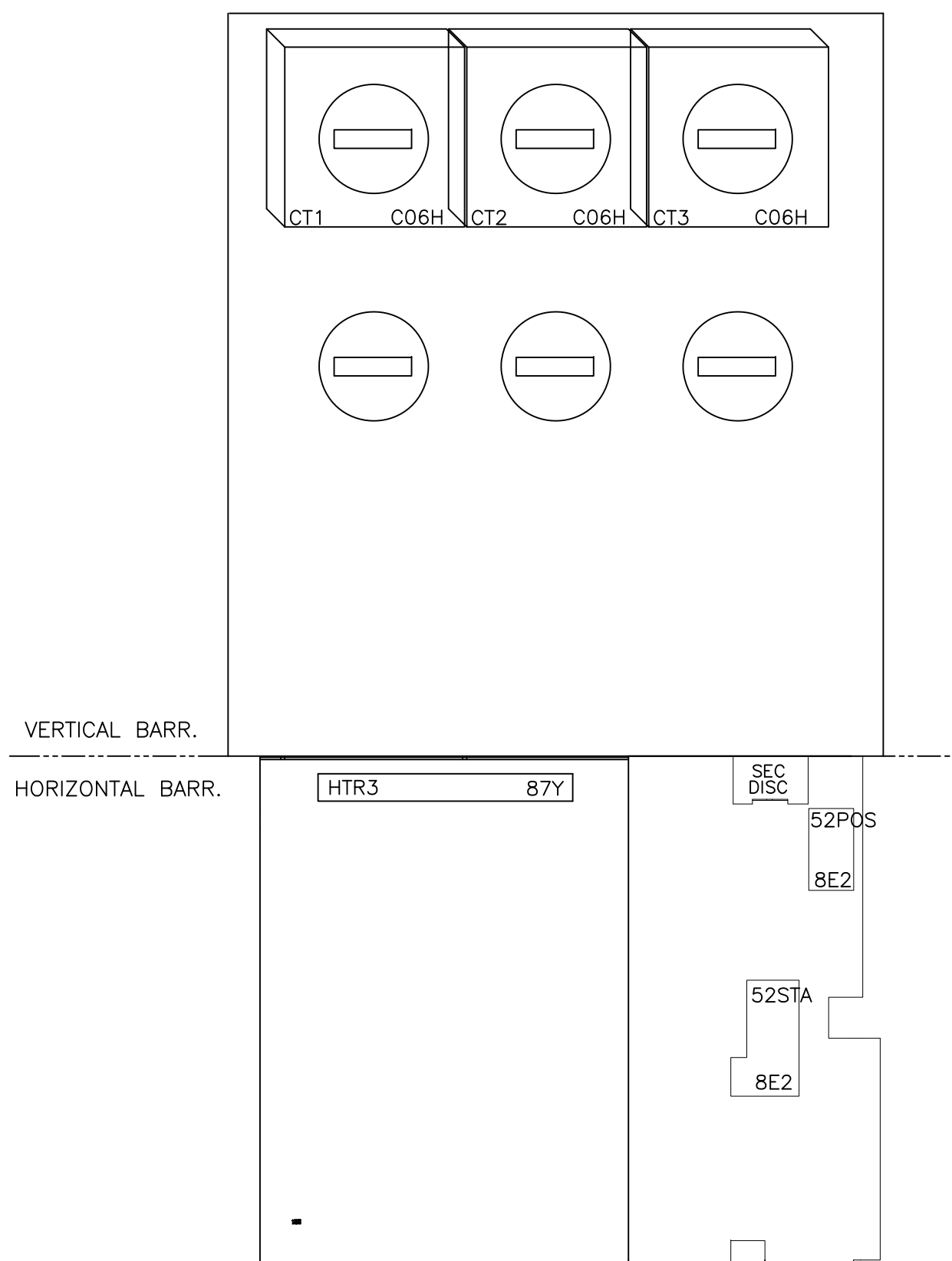
RIGHT SIDE COMPT. SIDE SHEET UNIT - 104A



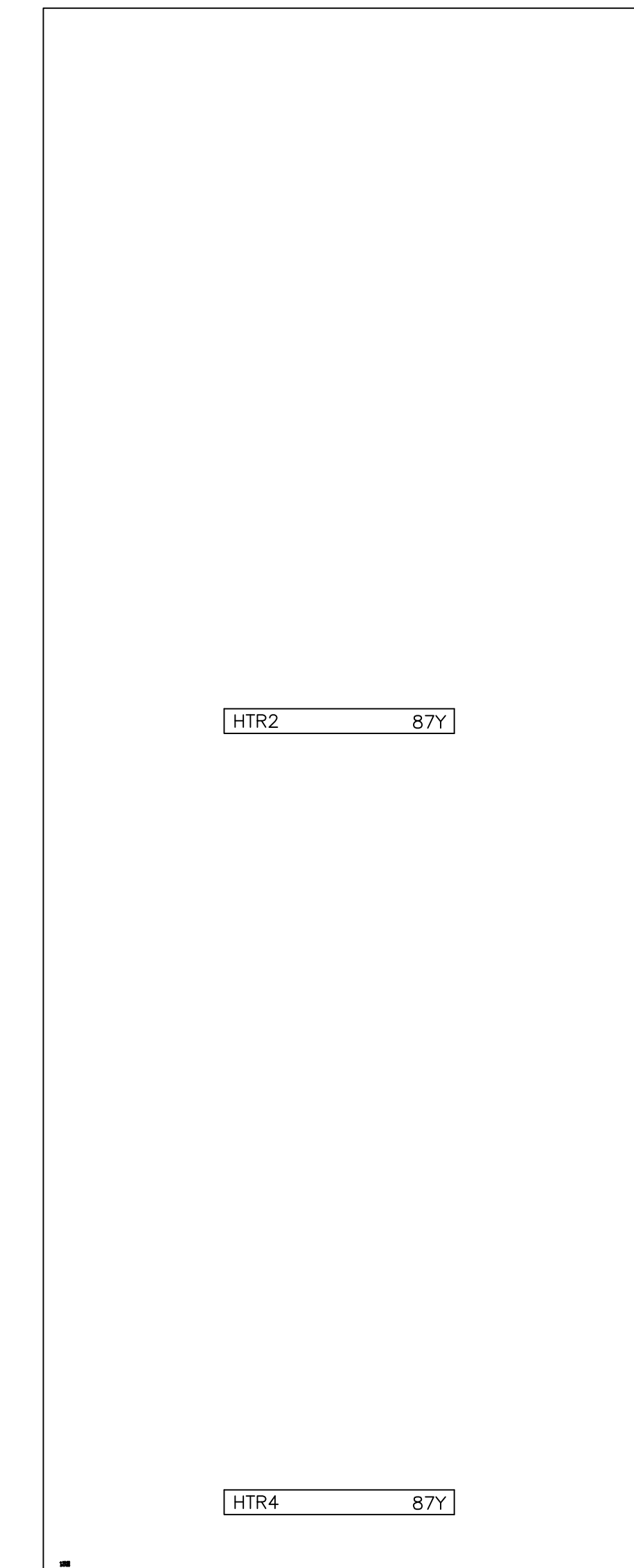
RIGHT SIDE COMPT. SIDE SHEET UNIT - 104B



FRONT COMPARTMENT UNIT - 104A



FRONT COMPARTMENT UNIT - 104B



REAR VIEW 104S

Manufactured by POWELL



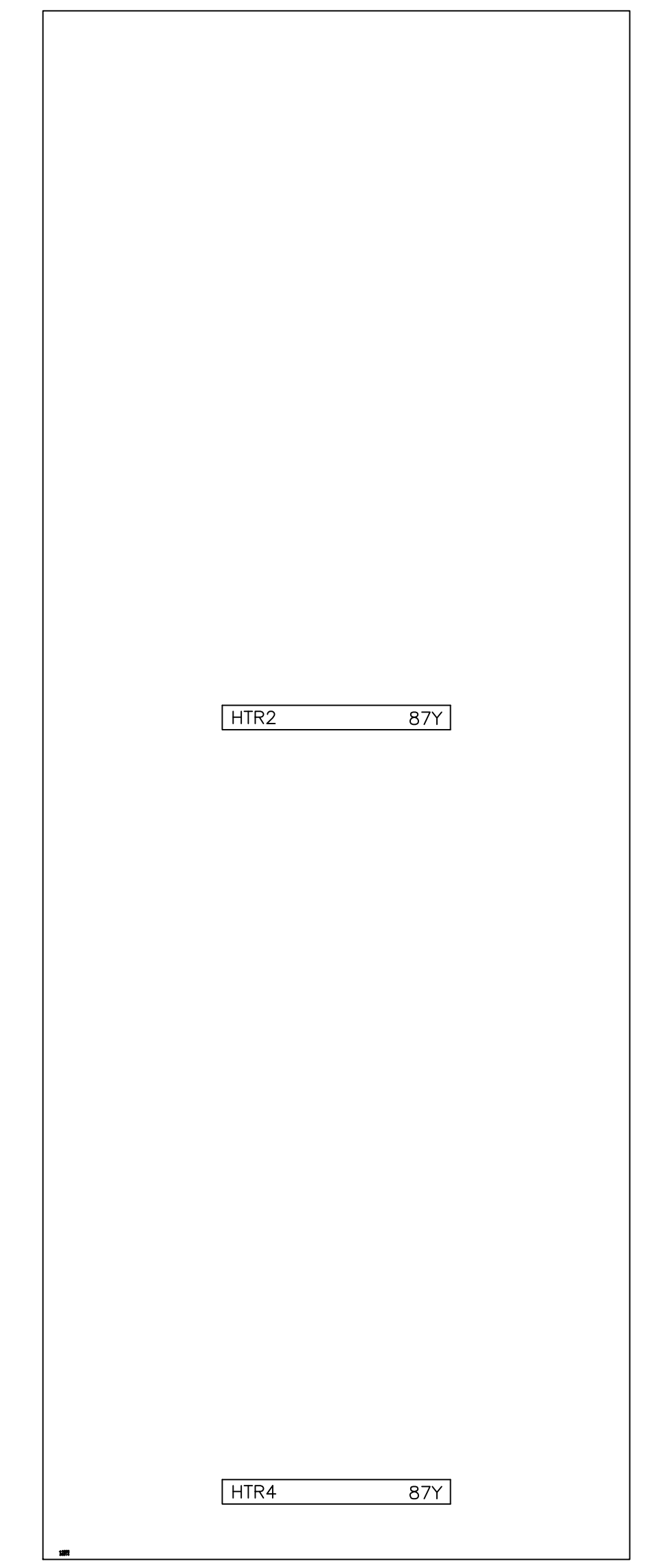
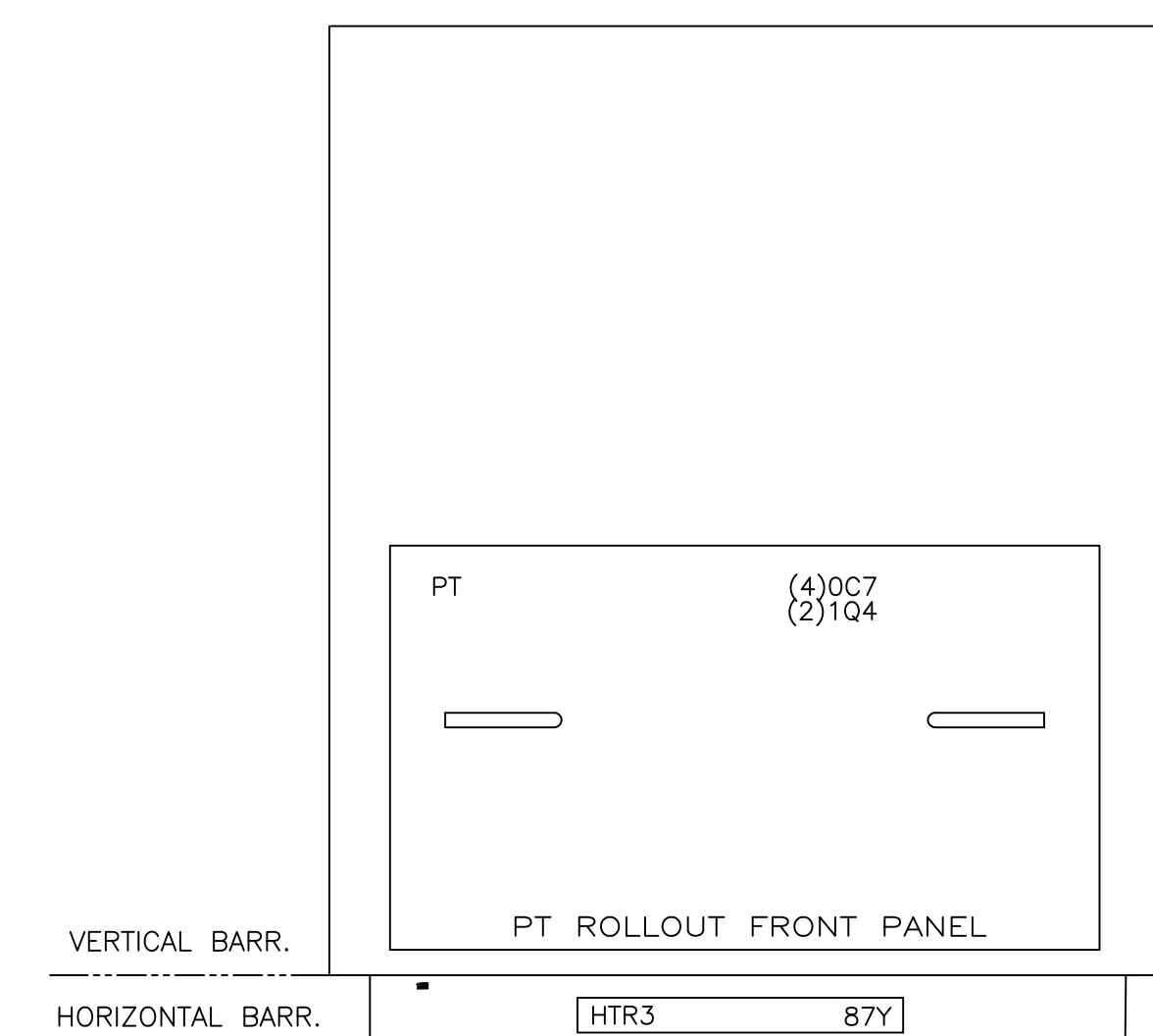
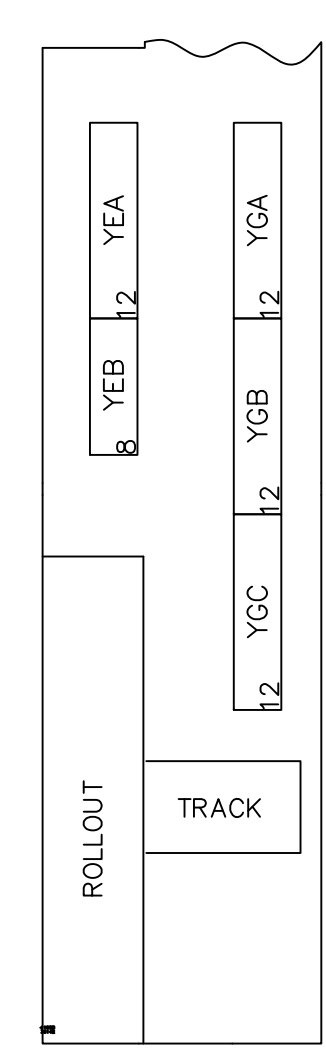
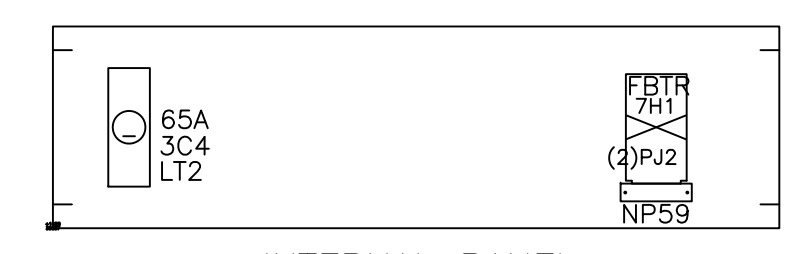
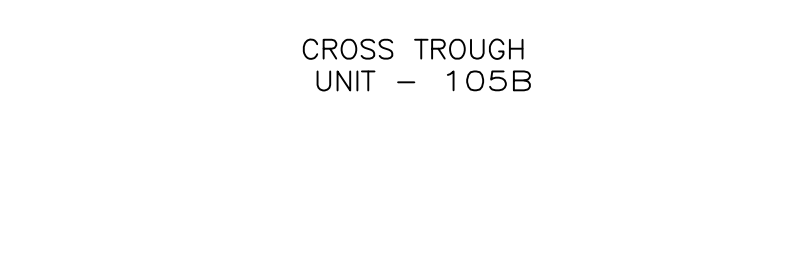
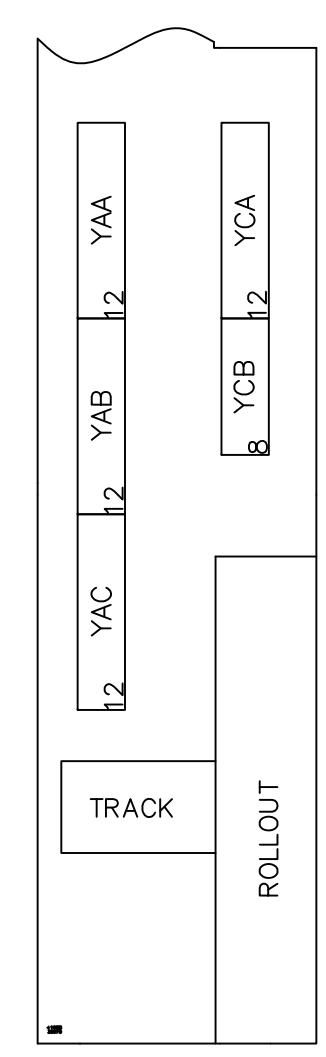
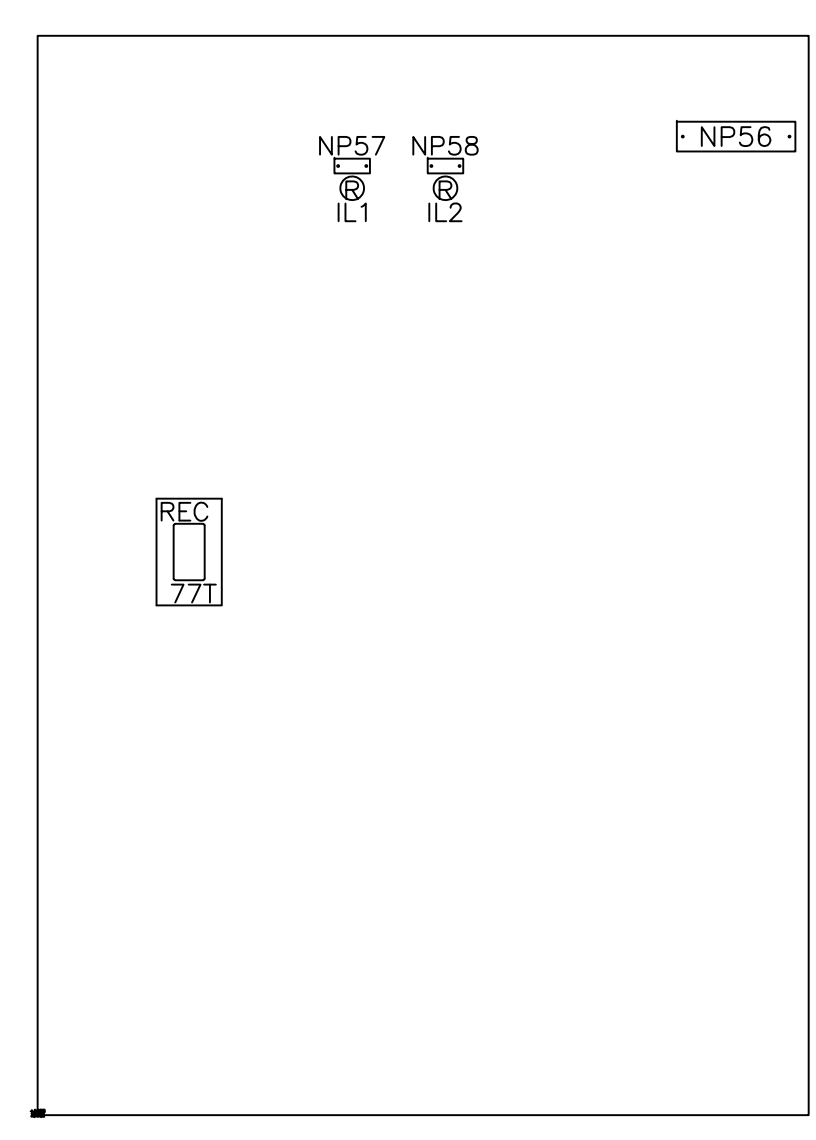
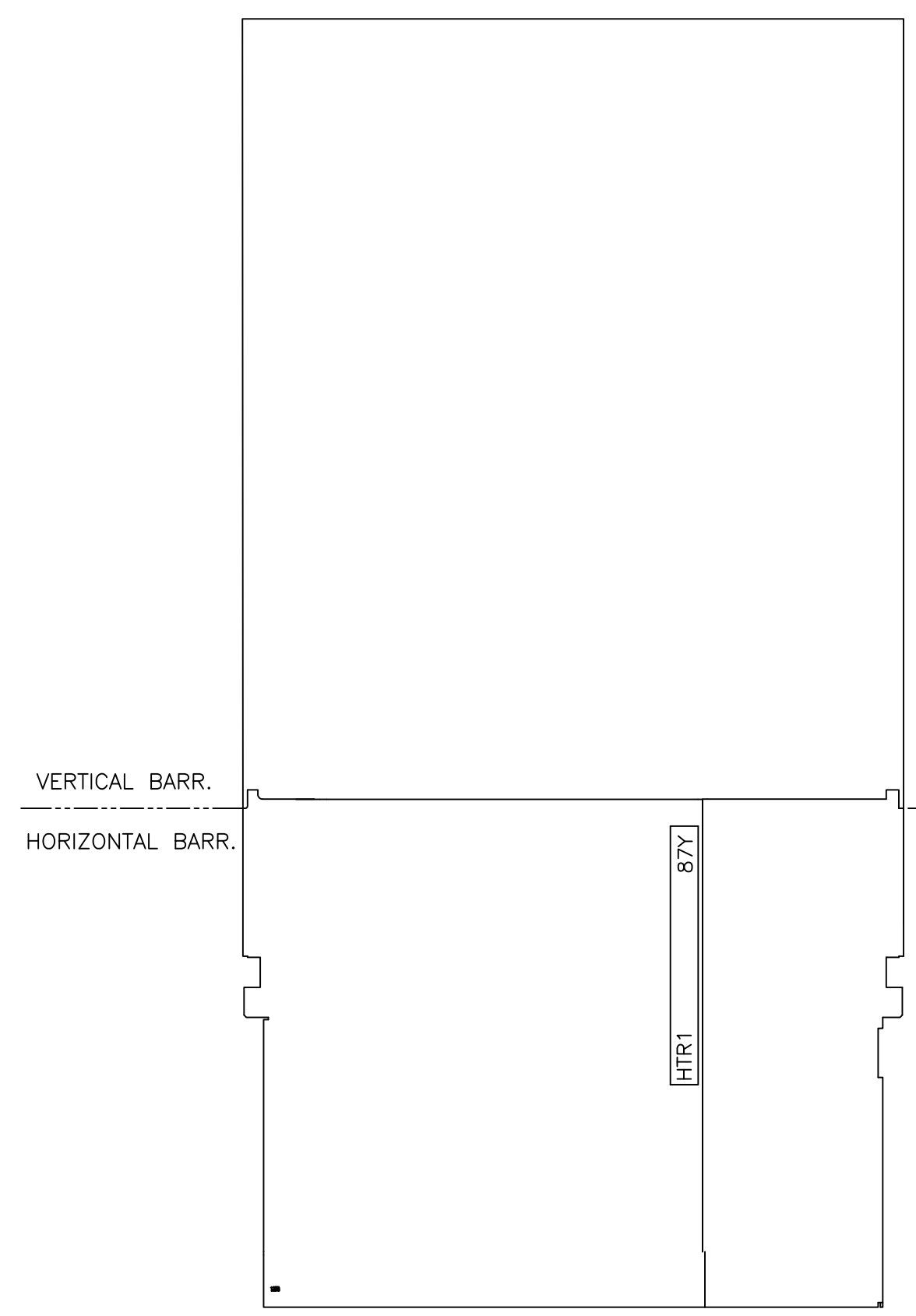
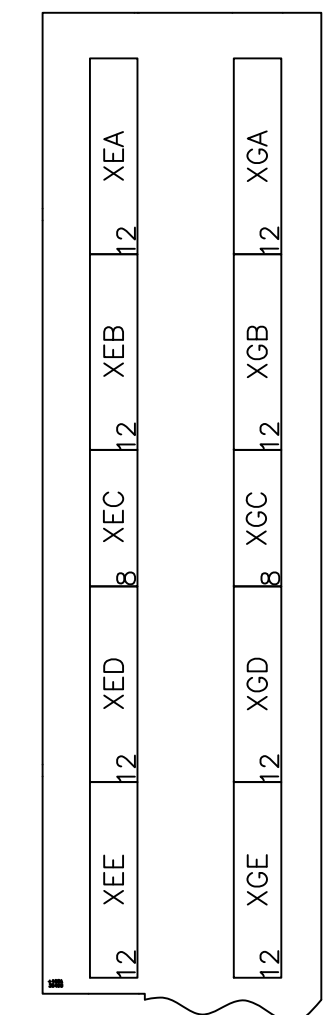
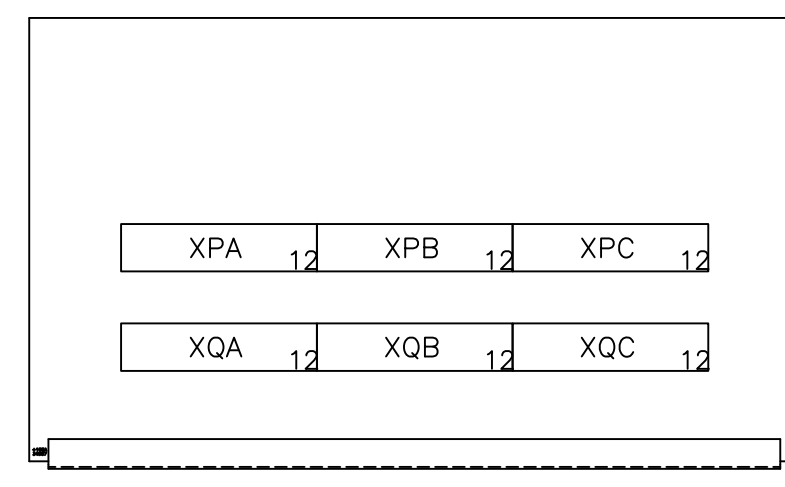
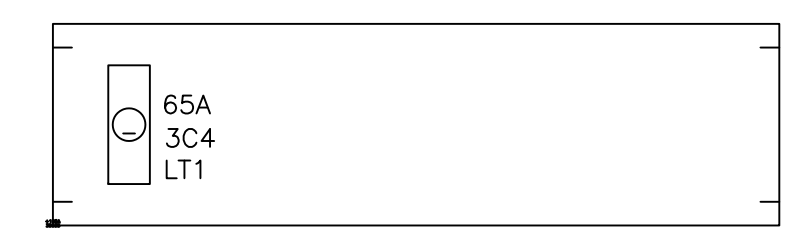
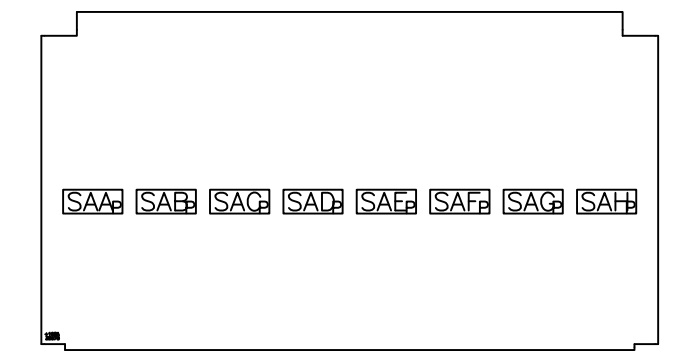
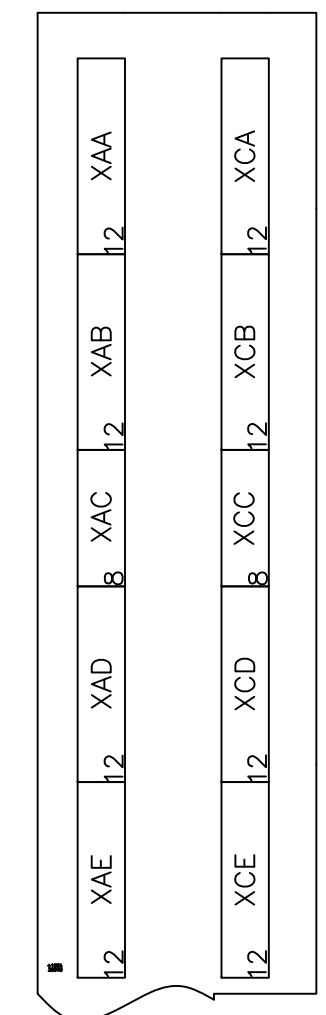
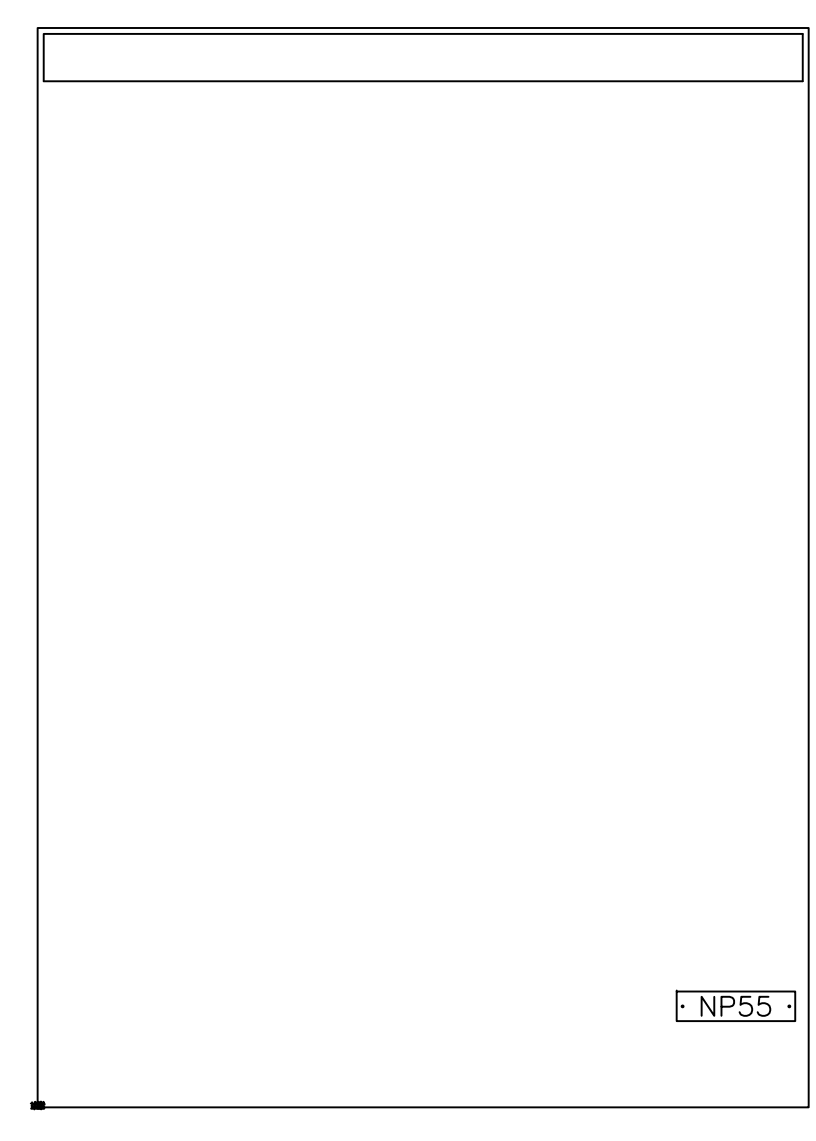
FOR APPROVAL ONLY NOT FOR CONSTRUCTION

Confidential Information! Must not be used in any way detrimental to Powell Industries. In the event this drawing is lost, mail to: Powell Electrical Systems, Inc. 12305 Kurland Dr., Houston, Texas 77034 Tel: (713) 709-1700		PowerVac Switchgear PANEL LAYOUT - UNIT 104	
DESIGNER:	GE PO: 0940000047	ENGINEER: Nguyen/Singh	REQ: 360-28256
DATE: 04/18/08	APPROVALS	ISSUED:	DWG./DISK NO: 1024630101
		HOUSTON, TX	SH.NO. 9

4
3
2
1
REV



THIS DRAWING NOT TO SCALE	REV: 0 1024630101 SH.NO. 10	PowerVac Switchgear PANEL LAYOUT - UNIT 105 REQUISITION: 360-28256 DWG./DISK NO: 1024630101
---------------------------	-----------------------------------	--



Manufactured by POWELL

FOR APPROVAL ONLY
NOT FOR CONSTRUCTION

PowerVac Switchgear
PANEL LAYOUT - UNIT 105

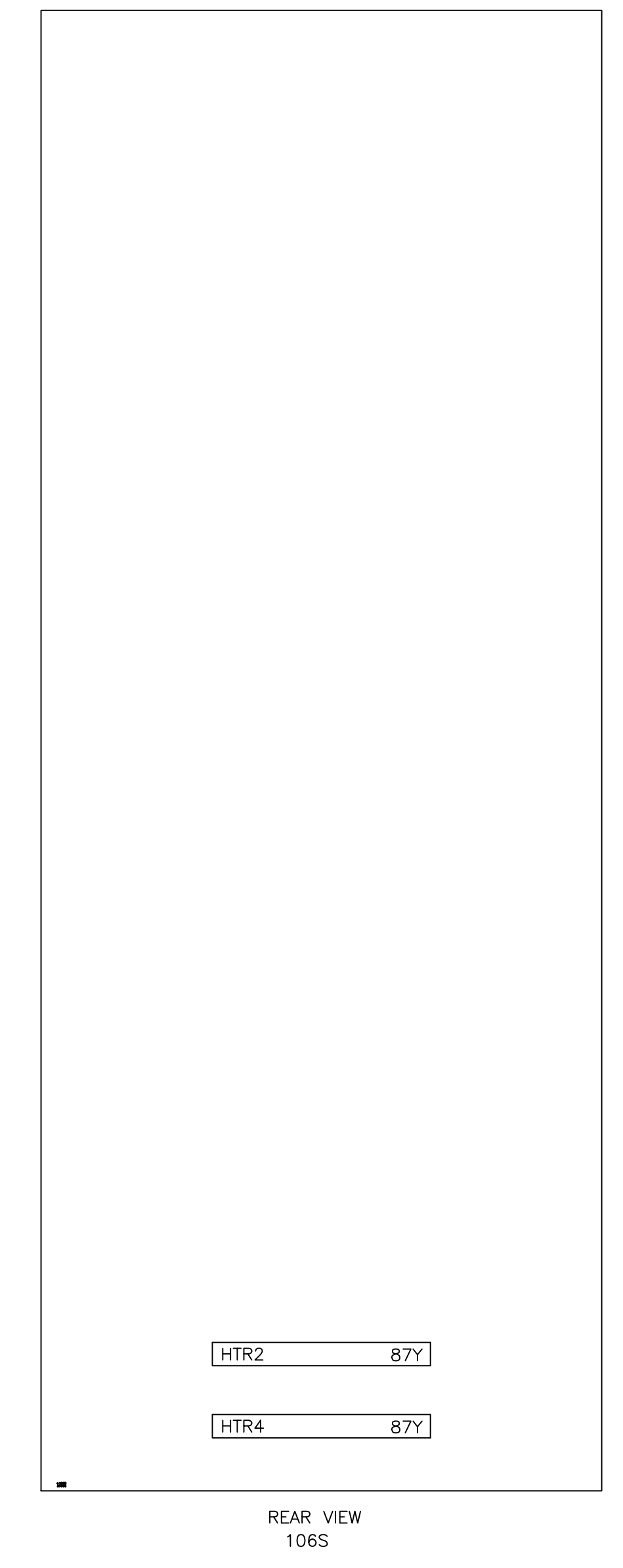
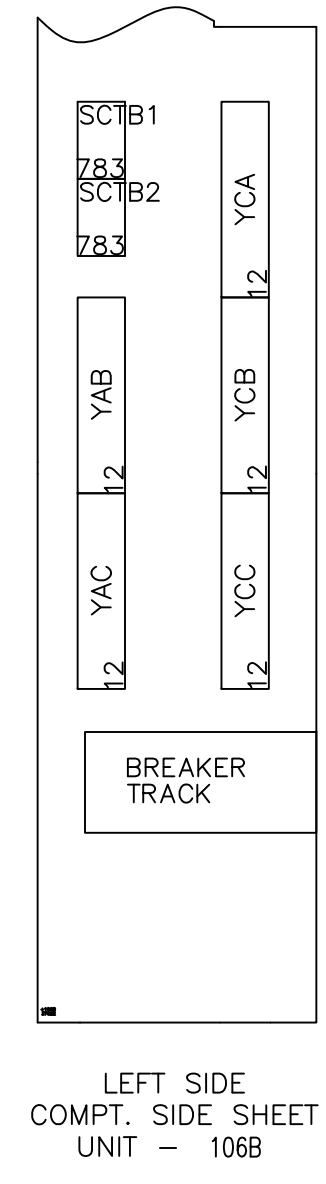
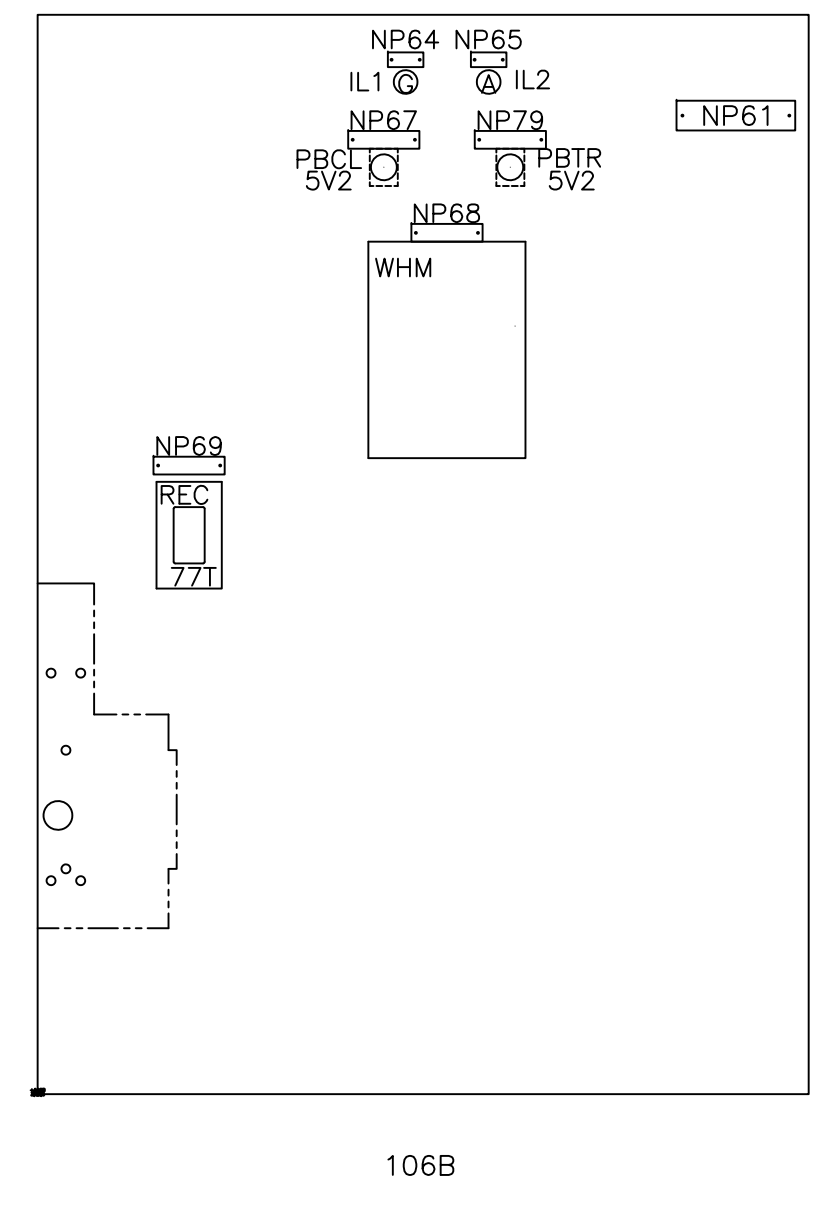
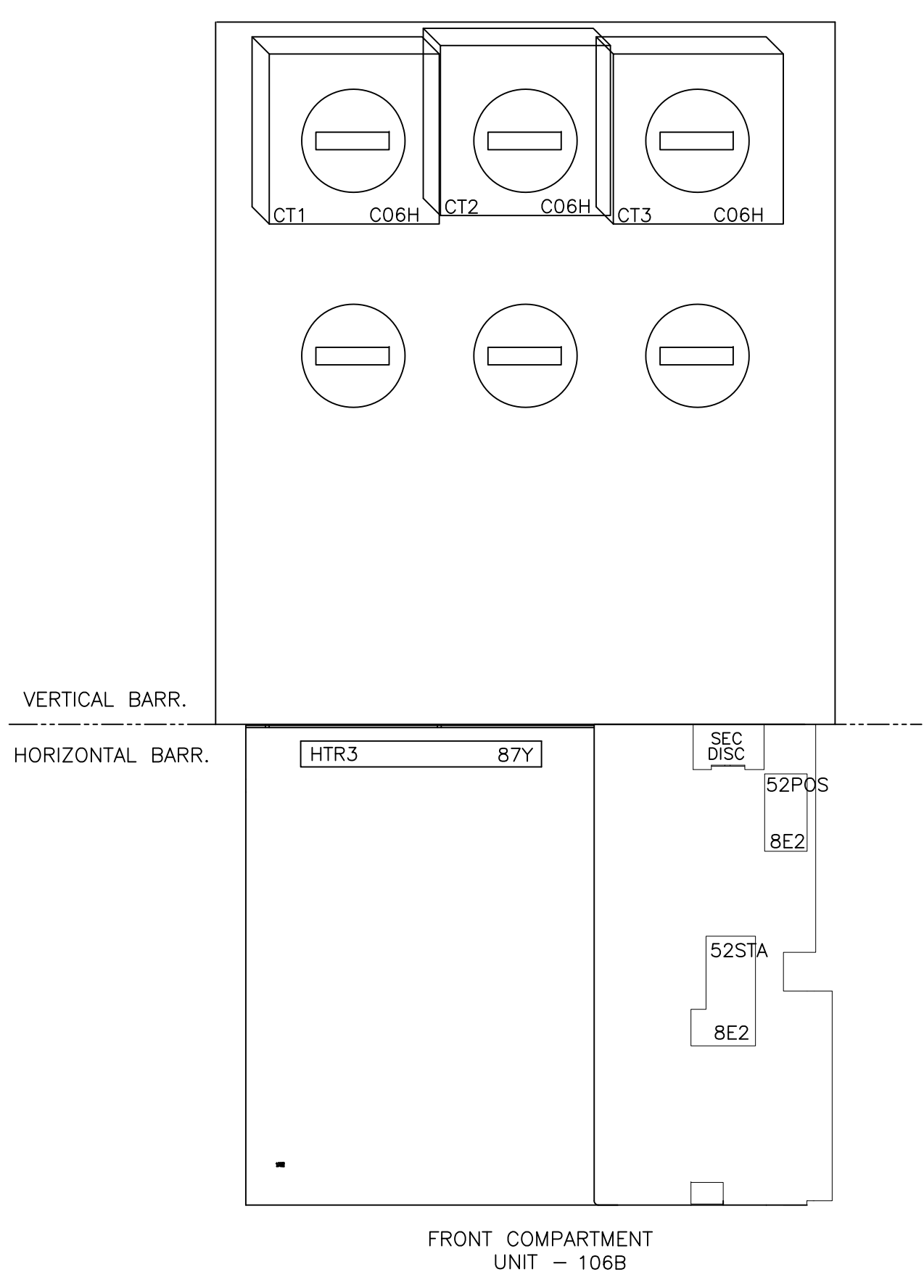
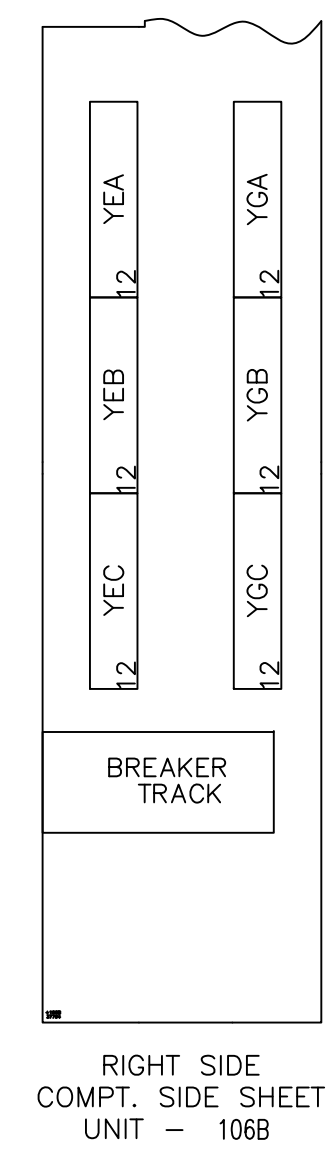
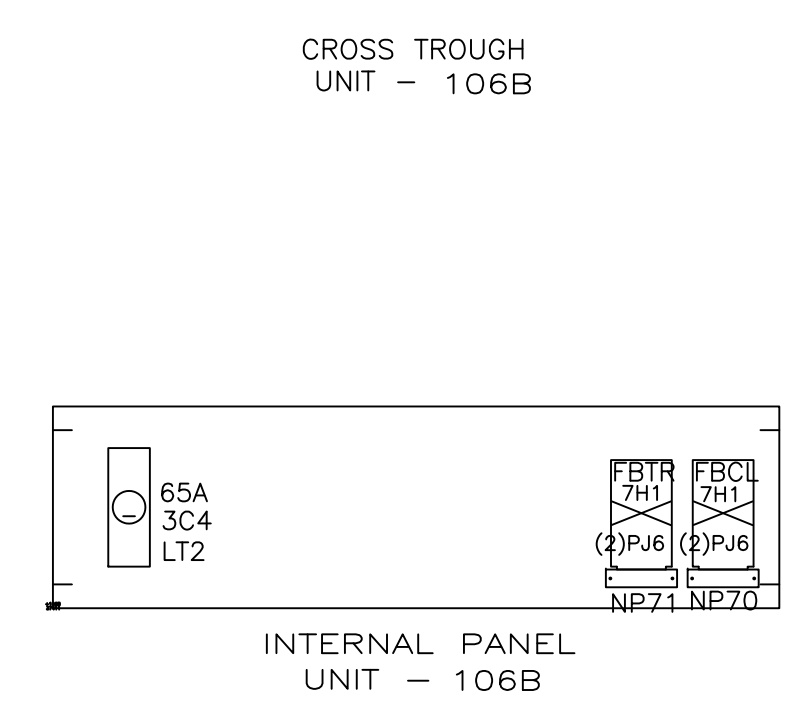
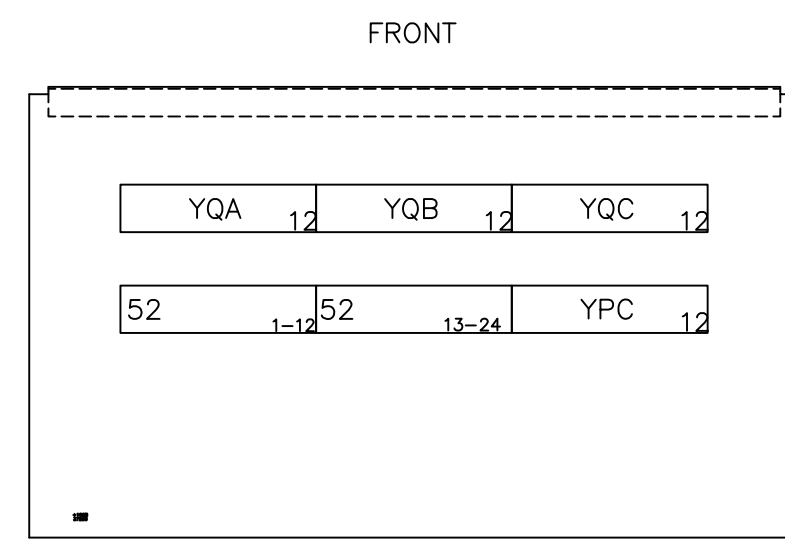
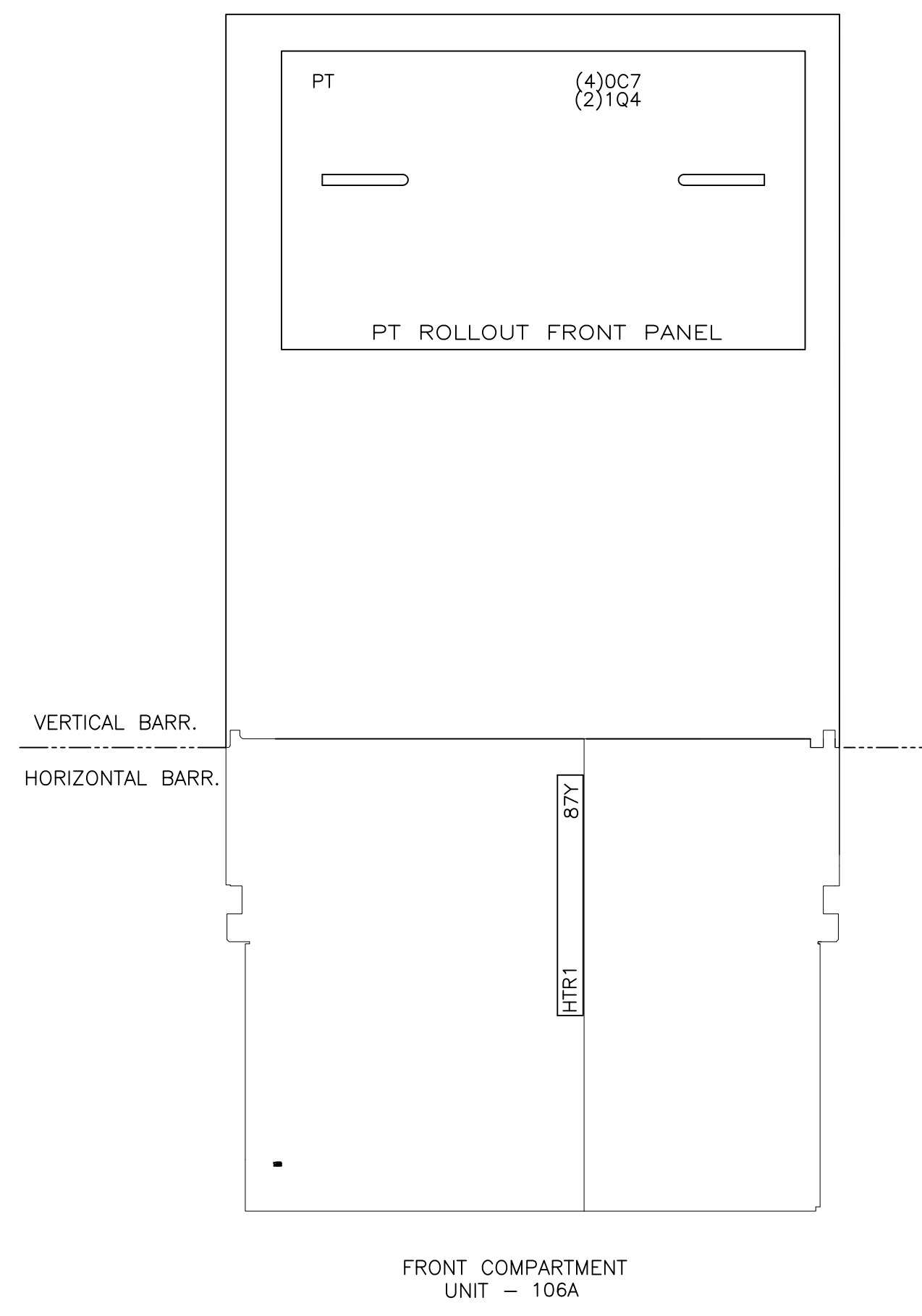
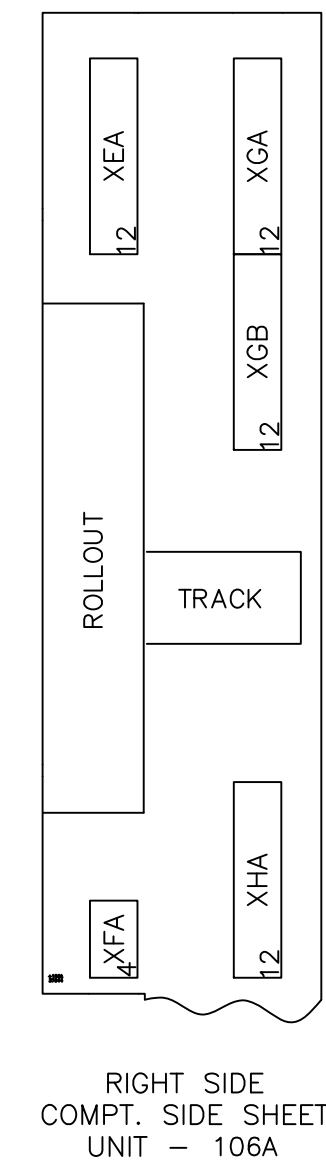
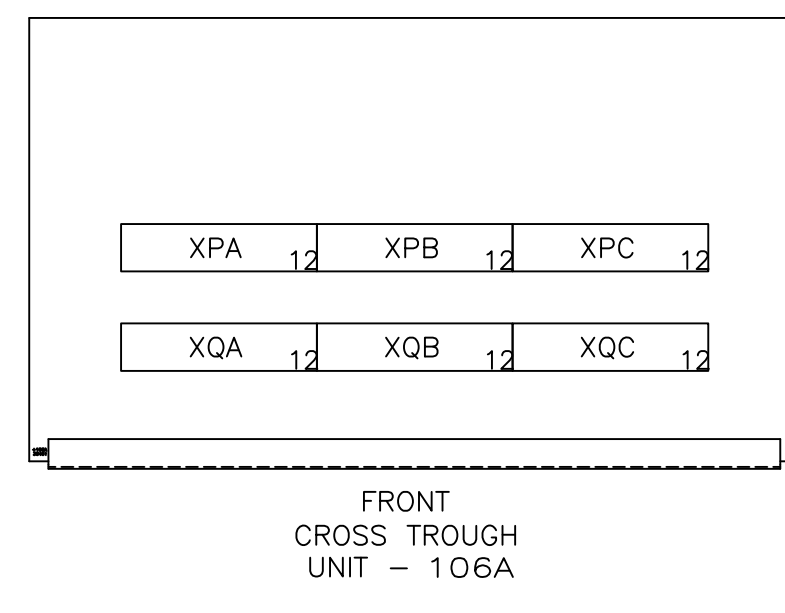
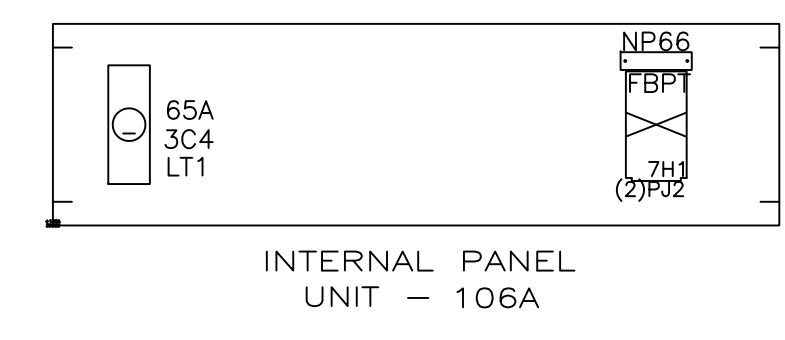
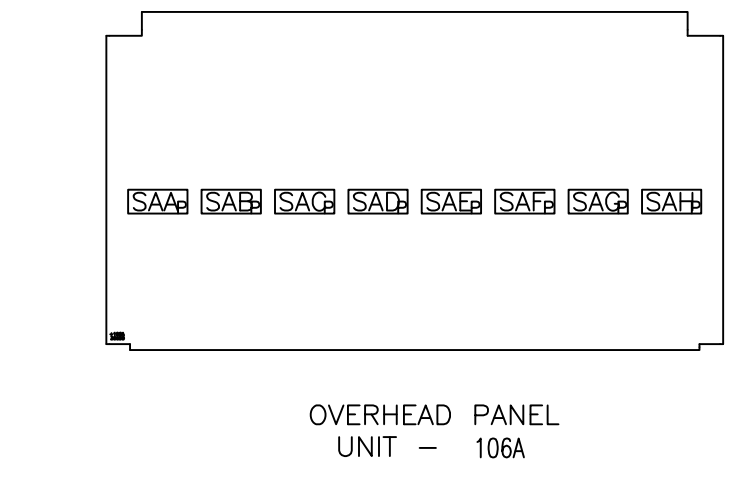
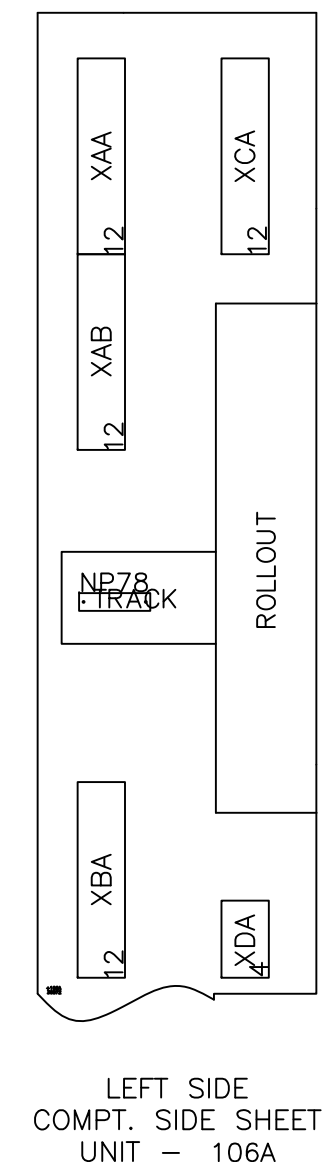
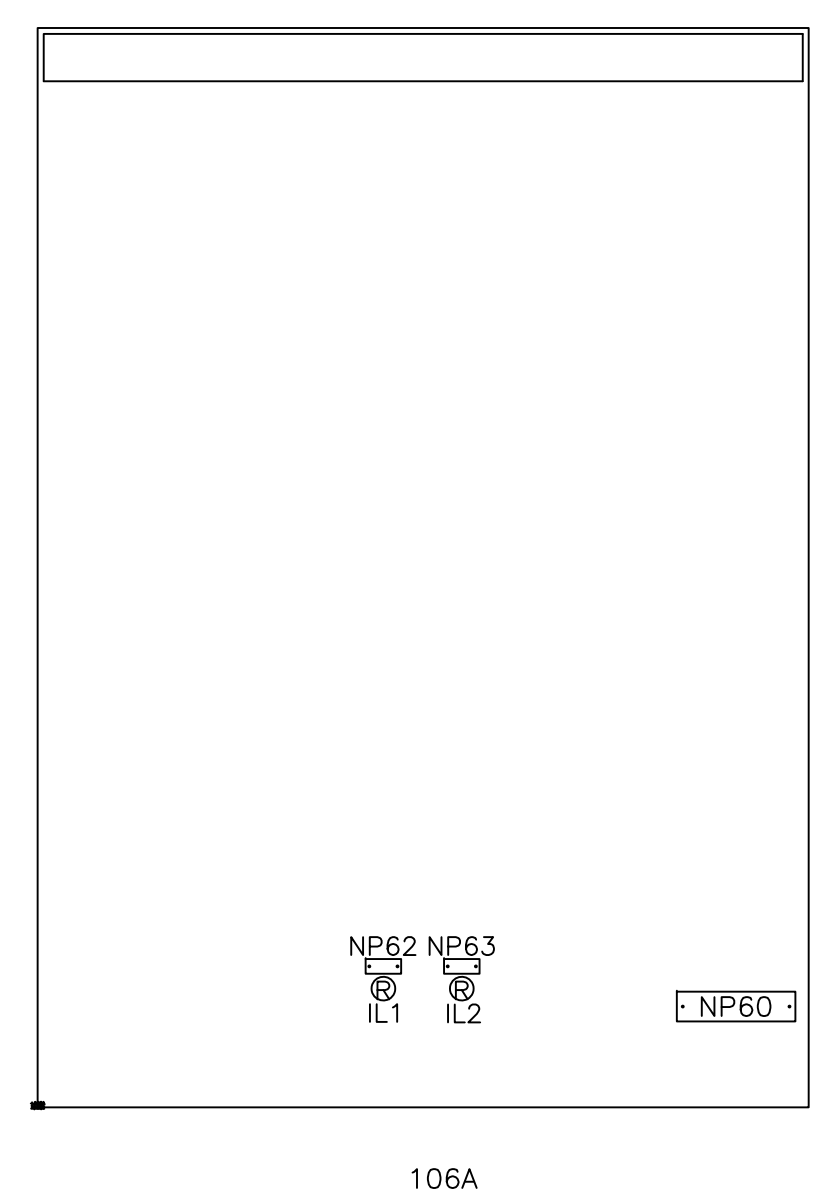
DESIGNER:	GE PO: 0940000047
ENGINEER: Nguyen/Singh	REQ: 360-28256
DATE: 04/18/08	DWG./DISK NO: 1024630101
ISSUED:	HOUSTON, TX
	SH.NO. 10

Confidential Information! Must not be used in any way detrimental to Powell Industries. In the event this drawing is lost, mail to: Powell Electrical Systems, Inc. 12305 Kurland Dr. Houston, Texas 77034 Tel: (713) 709-1700

4
3
2
REV



THIS DRAWING NOT TO SCALE	REV: 0 1024630101 SH.NO. 11	PowerVac Switchgear PANEL LAYOUT - UNIT 106 REQUISITION: 360-28256 DWG./DISK NO: 1024630101
---------------------------	-----------------------------------	--



Manufactured by **POWELL**

FOR APPROVAL ONLY
NOT FOR CONSTRUCTION

PowerVac Switchgear PANEL LAYOUT - UNIT 106	DESIGNER:	GE PO: 0940000047
ENGINEER: Nguyen/Singh	REQ: 360-28256	DWG./DISK NO: 1024630101
DATE: 04/18/08	APPROVALS:	HOUSTON, TX
ISSUED:		SH.NO. 11

Confidential Information! Must not be used in any way detrimental to Powell Industries. In the event this drawing is lost, mail to: Powell Electrical Systems, Inc. 12305 Kurland Dr., Houston, Texas 77034 Tel: (713) 709-1700

4
3
2
1

NOTES
1. WIRE SIZE WILL BE #14 SIS VULKENE UNLESS OTHERWISE SPECIFIED.

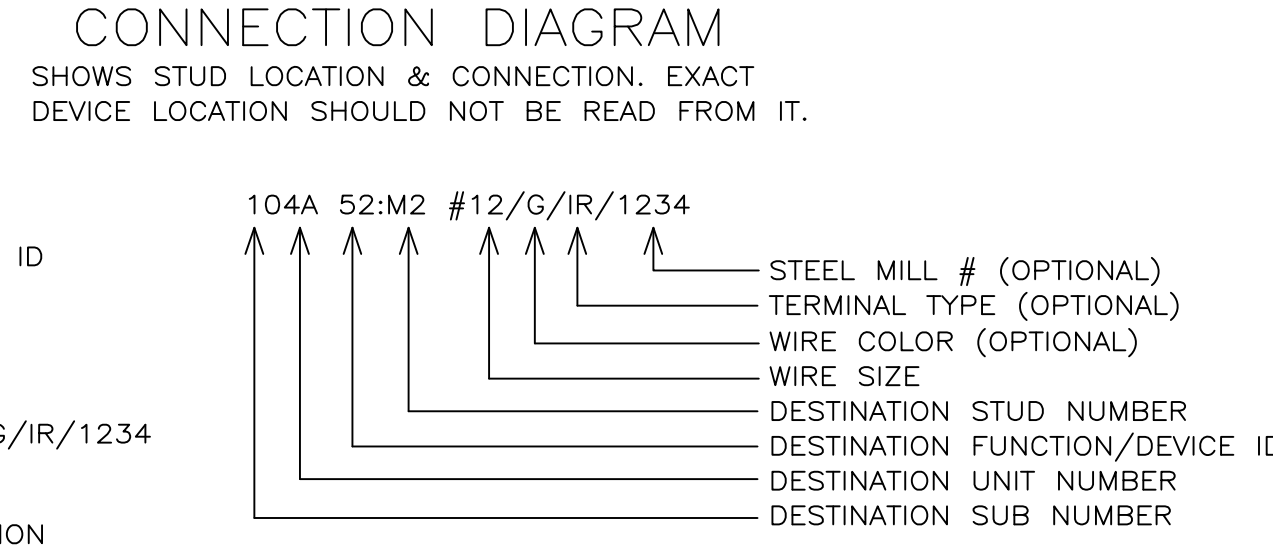
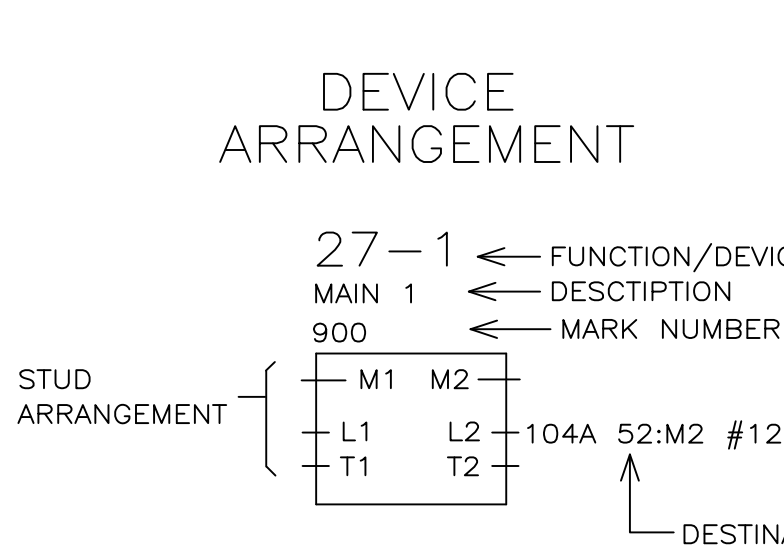
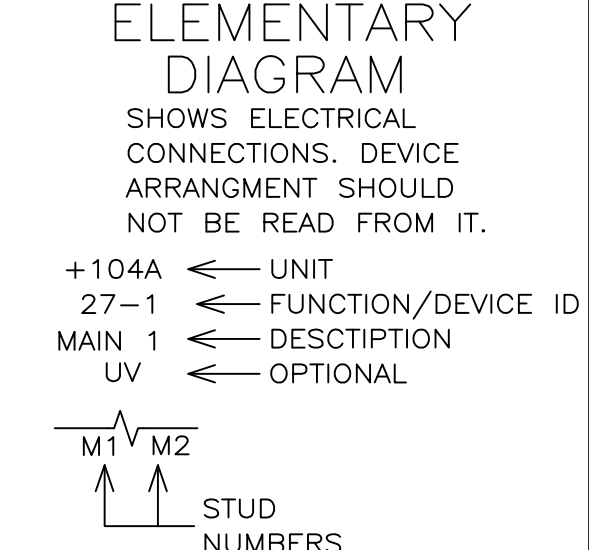
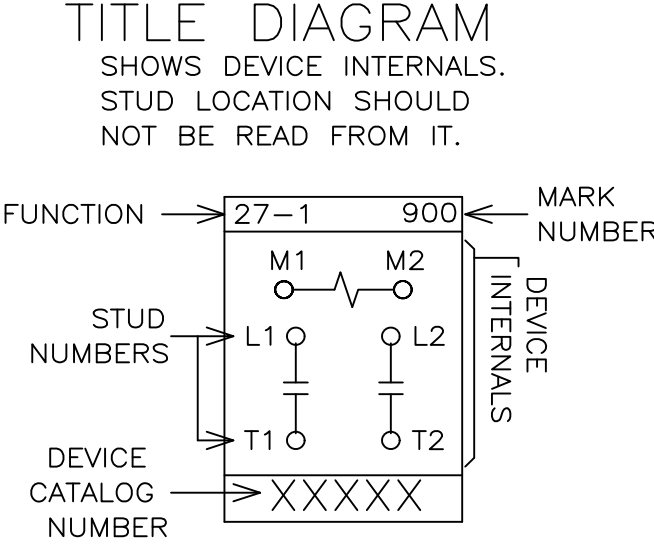


Table with drawing number 1024630101, title sheet, and customer information for Sewage and Water Board of New Orleans.

WIRE CODES & ABBREVIATIONS table listing wire colors and their corresponding abbreviations like A for Armored Wire, G for Green Wire, etc.

DIAGRAM ABBREVIATIONS table listing various electrical symbols and their corresponding abbreviations such as DIR for Disconnect, SWBD for Switchboard, and many others.

Table containing detailed customer information, station name (Bus Tie Unit 5-6-7), contractor details, and equipment specifications.

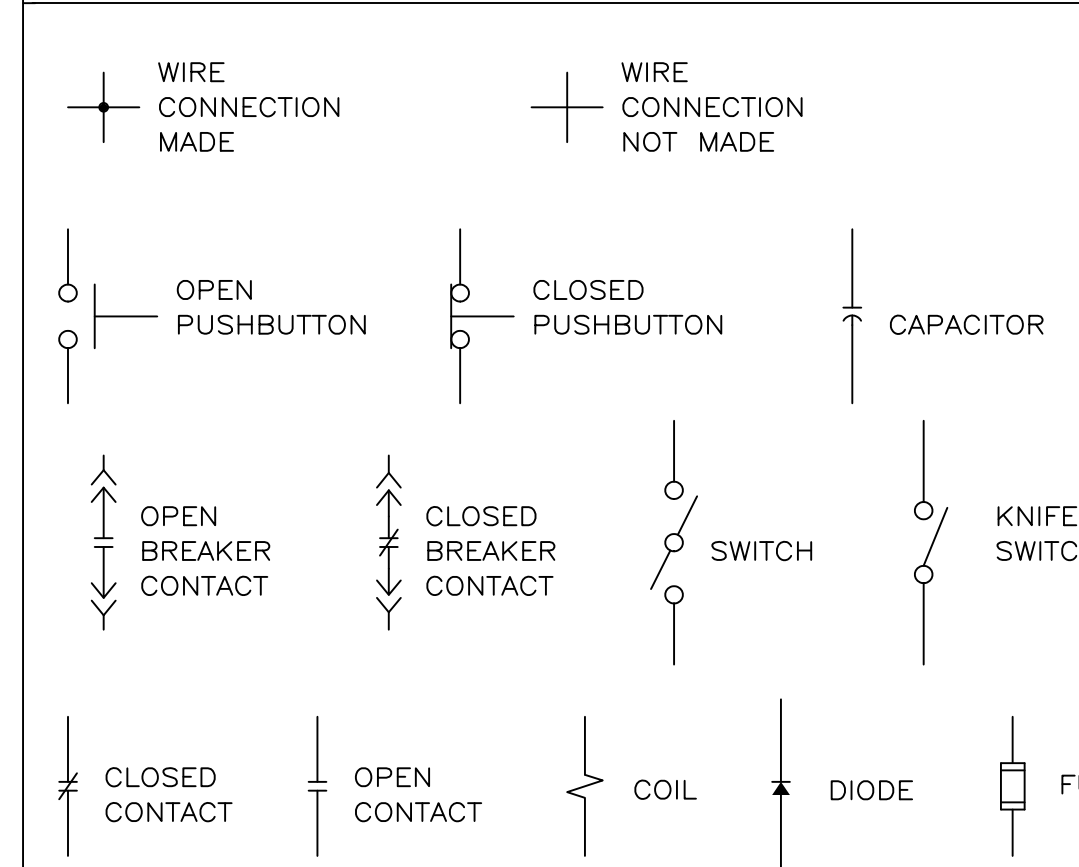
TWISTED WIRE CODES table defining codes for different wire types and sizes, such as ZP for #16 AWG twisted pair wire.

BELDEN CABLE CODES table listing codes for various Belden cable types, including BT for Belden Cable #9841 and others.

LEGEND table defining symbols for various components and their meanings, such as 33 for position switch, 52 for breaker auxiliary switch, etc.

ANSI (IEEE) STANDARD DEVICE FUNCTION NUMBERS table listing standard symbols and their functions, ranging from 1 (Master Element) to 99 (Potential Throwover).

Table for equipment specifications, including PowerVac Switchgear, and a section for approvals.



FOR APPROVAL ONLY NOT FOR CONSTRUCTION

Table for approvals and manufacturing information, including Powell Electrical Systems, Inc. and PowerVac Switchgear details.



52POS				MK # 8E2			
CONTACTS		POSITIONS		CONTACTS		POSITIONS	
HANDLE END	NO	BKR IN	BKR OUT	HANDLE END	NO	BKR OPEN	BKR CLOSE
1 2 3 4	1-2		X	1 2 3 4	1-2	X	
OH/O OH/O	3-4	X		OH/O OH/O	3-4		X
5 6 7 8	5-6		X	5 6 7 8	5-6	X	
OH/O OH/O	7-8	X		OH/O OH/O	7-8		X
9 10 11 12	9-10		X	9 10 11 12	9-10	X	
OH/O OH/O	11-12	X		OH/O OH/O	11-12		X
13 14 15 16	13-14		X	13 14 15 16	13-14	X	
OH/O OH/O	15-16	X		OH/O OH/O	15-16		X
17 18 19 20	17-18		X	17 18 19 20	17-18	X	
OH/O OH/O	19-20	X		OH/O OH/O	19-20		X
21 22 23 24	21-22		X	21 22 23 24	21-22	X	
OH/O OH/O	23-24	X		OH/O OH/O	23-24		X

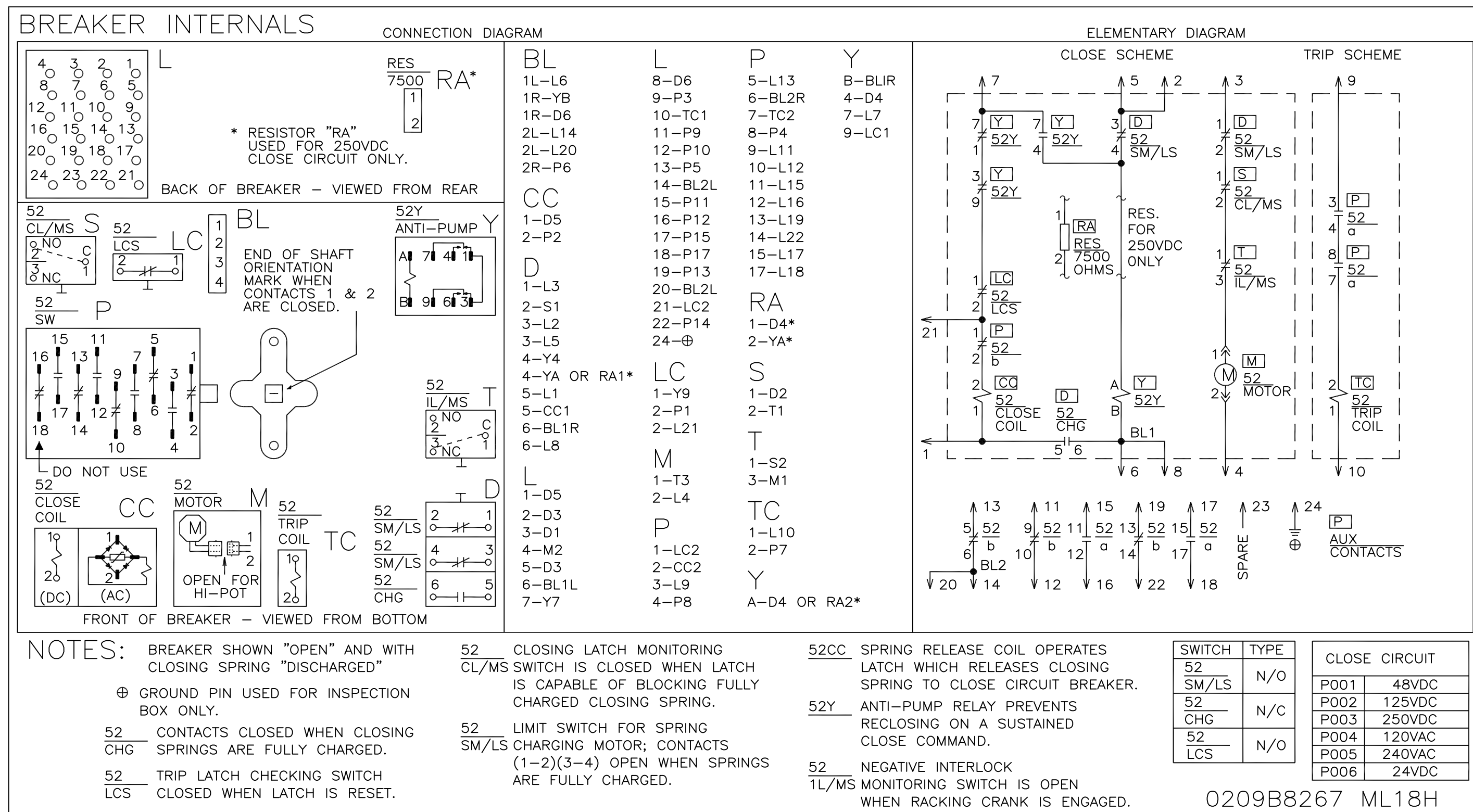
X-DENOTES CONTACT CLOSED
SPRING RETURN TO BKR OUT

0209B5163

52STA				MK # 8E2			
CONTACTS		POSITIONS		CONTACTS		POSITIONS	
HANDLE END	NO	BKR OPEN	BKR CLOSE	HANDLE END	NO	BKR OPEN	BKR CLOSE
1 2 3 4	1-2	X		1 2 3 4	1-2	X	
OH/O OH/O	3-4		X	OH/O OH/O	3-4		X
5 6 7 8	5-6	X		5 6 7 8	5-6	X	
OH/O OH/O	7-8		X	OH/O OH/O	7-8		X
9 10 11 12	9-10	X		9 10 11 12	9-10	X	
OH/O OH/O	11-12		X	OH/O OH/O	11-12		X
13 14 15 16	13-14	X		13 14 15 16	13-14	X	
OH/O OH/O	15-16		X	OH/O OH/O	15-16		X
17 18 19 20	17-18	X		17 18 19 20	17-18	X	
OH/O OH/O	19-20		X	OH/O OH/O	19-20		X
21 22 23 24	21-22	X		21 22 23 24	21-22	X	
OH/O OH/O	23-24		X	OH/O OH/O	23-24		X

X-DENOTES CONTACT CLOSED
SPRING RETURN TO BKR OPEN

0209B5163



FOR APPROVAL ONLY
NOT FOR CONSTRUCTION



Confidential Information! Must not be used in any way detrimental to Powell Industries. In the event this drawing is lost, mail to:
Powell Electrical Systems, Inc.
12305 Kurland Dr.
Houston, Texas 77034
Tel: (713) 709-1700

PowerVac Switchgear
BREAKER AND SWITCH INTERNALS

DESIGNER:	GE PO: 0940000047
ENGINEER: Nguyen/Singh	REQ: 360-28256 DWG./DISK NO: 1024630101
DATE: 04/18/08	APPROVALS
ISSUED:	HOUSTON, TX SH.NO. 13

A

B

C

D

E

F

G

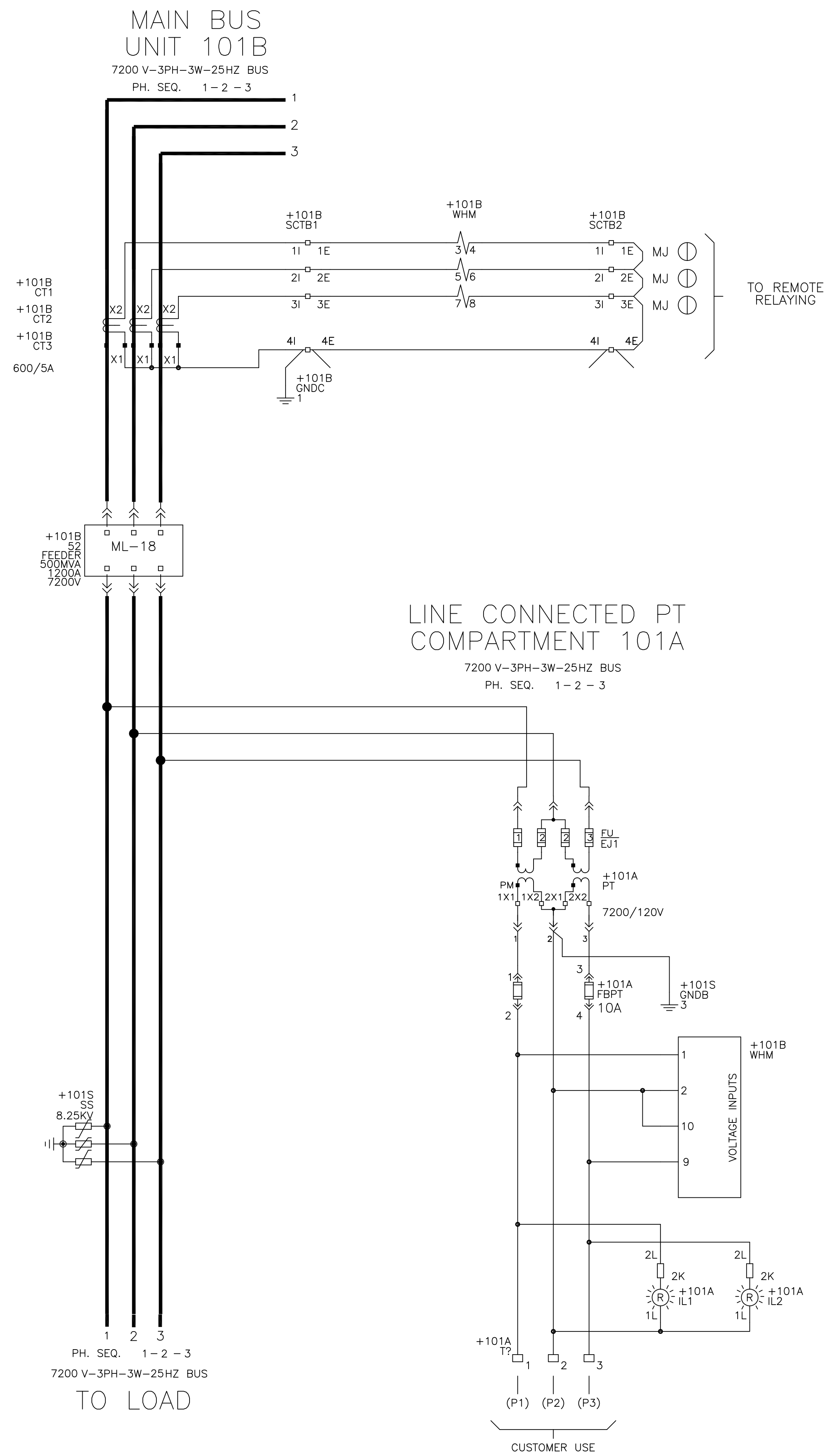
H



GE CONSUMER & INDUSTRIAL

THIS DRAWING NOT TO SCALE	REV: 0 1024630101 SH.NO. 14	PowerVac Switchgear POWER CIRCUIT - UNIT 101B REQUISITION: 360-28256 DWG./DISK NO: 1024630101
---------------------------	-----------------------------------	--

01
02
03
04
05
06
07
08
09
10
11
12
13
14
15
16
17
18
19
20
21
22
23
24
25
26
27
28
29
30
31
32
33
34
35
36
37
38
39
40
41



4
3
2
1
REV

UNIT 101B
PLANT FREQUENCY
CHANGER
FEEDER BREAKER

Manufactured by **POWELL**

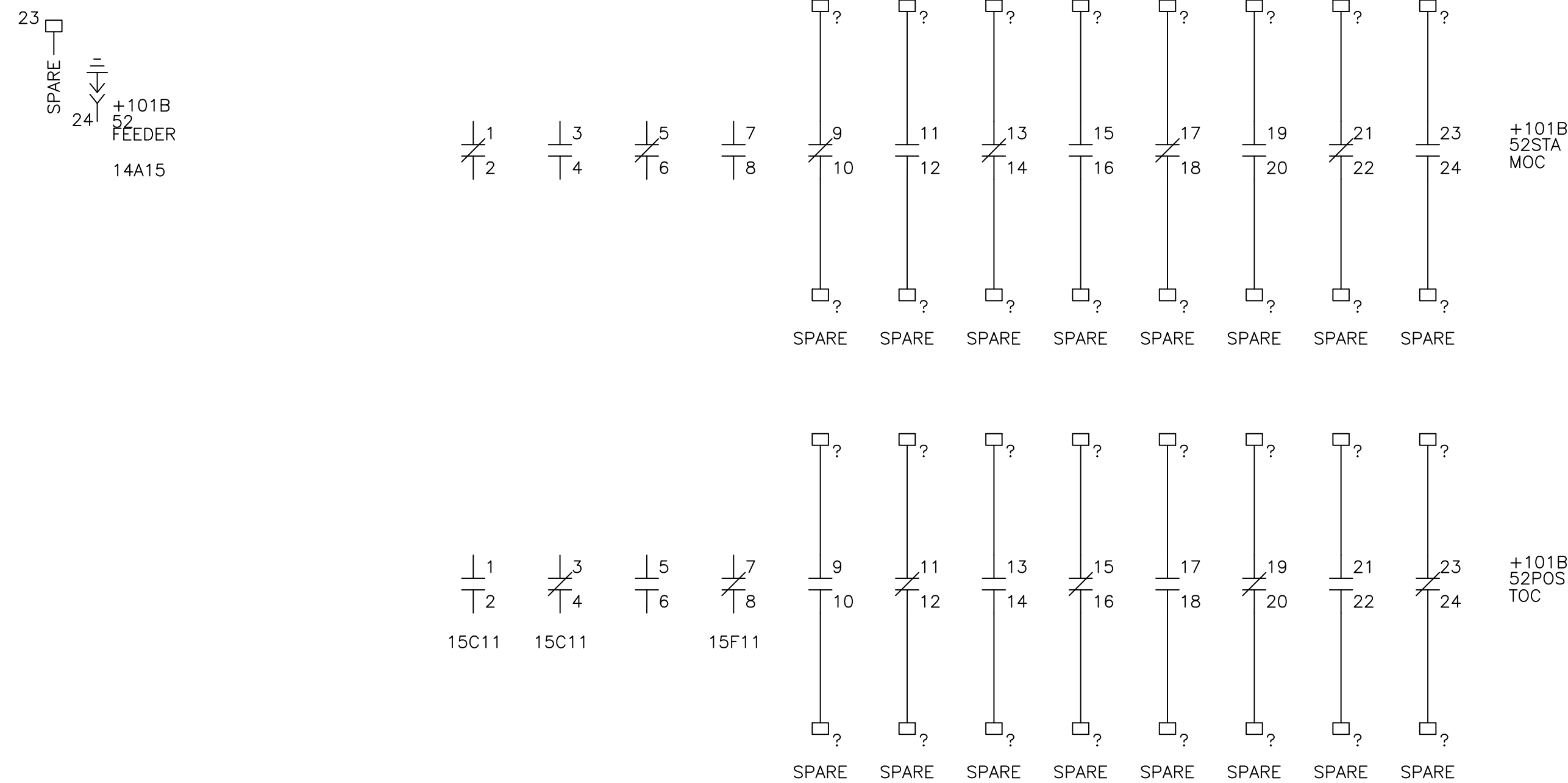
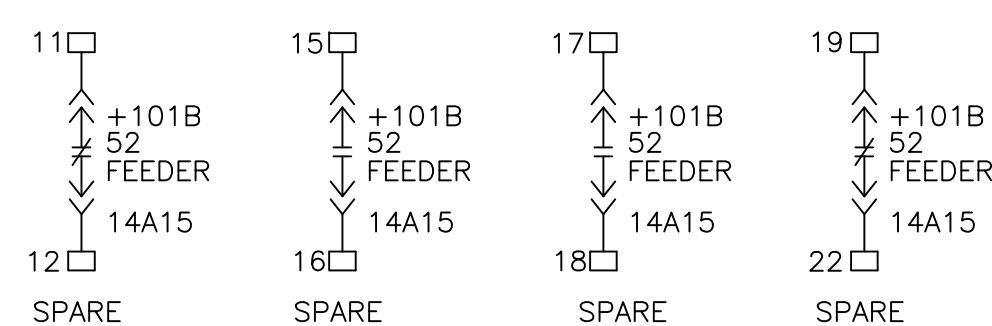
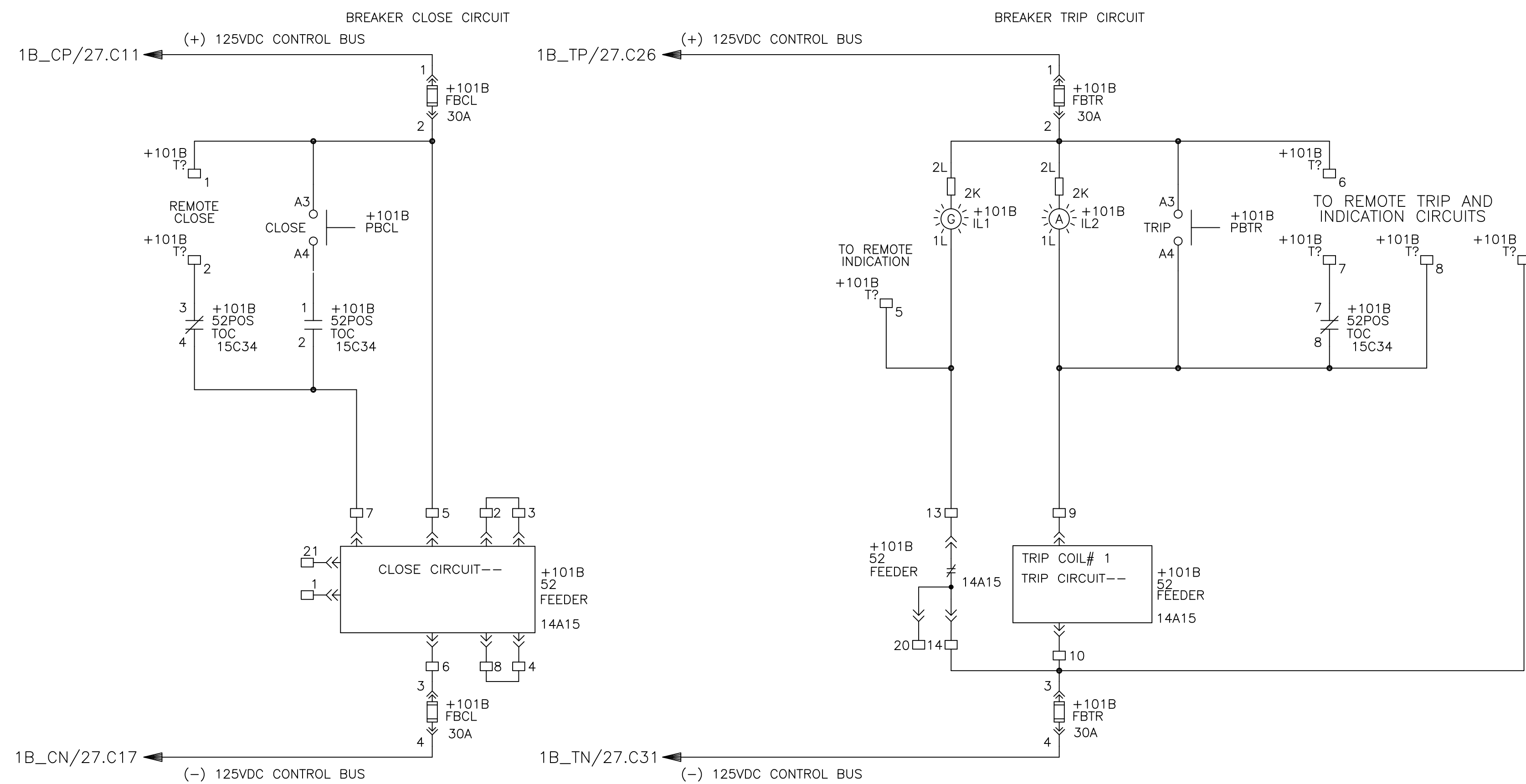


FOR APPROVAL ONLY
NOT FOR CONSTRUCTION

Confidential Information! Must not be used in any way detrimental to Powell Industries. In the event this drawing is lost, mail to: Powell Electrical Systems, Inc. 12305 Kurland Dr. Houston, Texas 77034 Tel: (713) 709-1700	PowerVac Switchgear POWER CIRCUIT - UNIT 101B	
	DESIGNER:	GE PO: 0940000047
	ENGINEER: Nguyen/Singh	REQ: 360-28256
	DATE: 04/18/08	DWG./DISK NO: 1024630101
ISSUED:	APPROVALS	HOUSTON, TX
		SH.NO. 14



THIS DRAWING NOT TO SCALE	REV: 0	PowerVac Switchgear
	1024630101	BREAKER CONTROL CIRCUIT - UNIT 101B
	SH.NO. 15	REQUISITION: 360-28256 DWG./DISK NO: 1024630101



FOR APPROVAL ONLY
NOT FOR CONSTRUCTION

Manufactured by **POWELL**



Confidential Information! Must not be used in any way detrimental to Powell Industries. In the event this drawing is lost, mail to: Powell Electrical Systems, Inc. 12305 Kurland Dr. Houston, Texas 77034 Tel: (713) 709-1700		PowerVac Switchgear BREAKER CONTROL CIRCUIT - UNIT 101B	
DESIGNER:	GE PO: 0940000047	ENGINEER: Nguyen/Singh	REQ: 360-28256 DWG./DISK NO: 1024630101
DATE: 04/18/08	ISSUED:	APPROVALS:	HOUSTON, TX SH.NO. 15

4

5

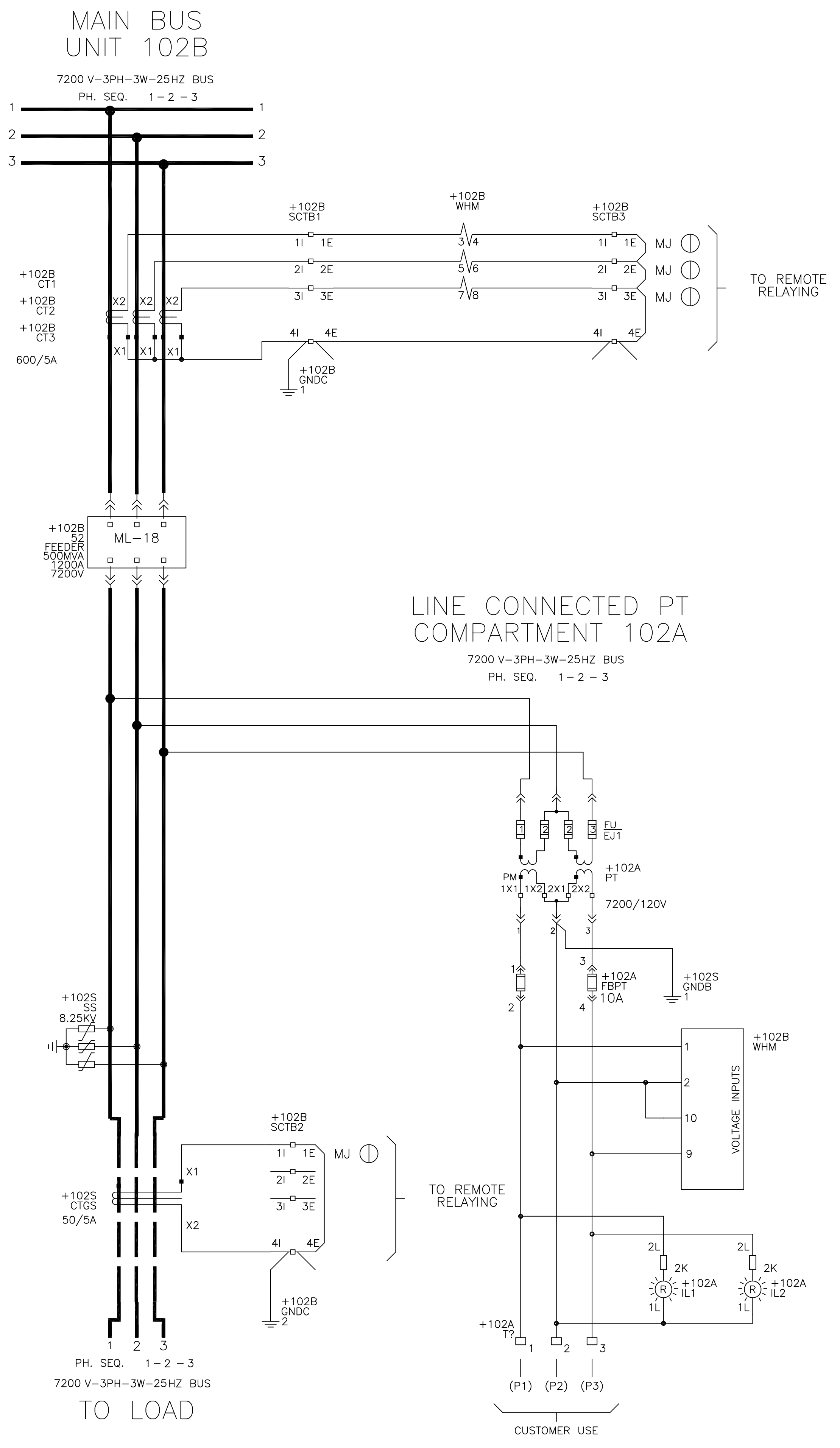
2

1

REV

THIS DRAWING NOT TO SCALE	REV: 0 1024630101 SH.NO. 16	PowerVac Switchgear POWER CIRCUIT - UNIT 102B REQUISITION: 360-28256 DWG./DISK NO: 1024630101
---------------------------	-----------------------------------	--

01
02
03
04
05
06
07
08
09
10
11
12
13
14
15
16
17
18
19
20
21
22
23
24
25
26
27
28
29
30
31
32
33
34
35
36
37
38
39
40
41



4
3
2
1
REV

UNIT 102B
SPARE FEEDER

Manufactured by POWELL **M**

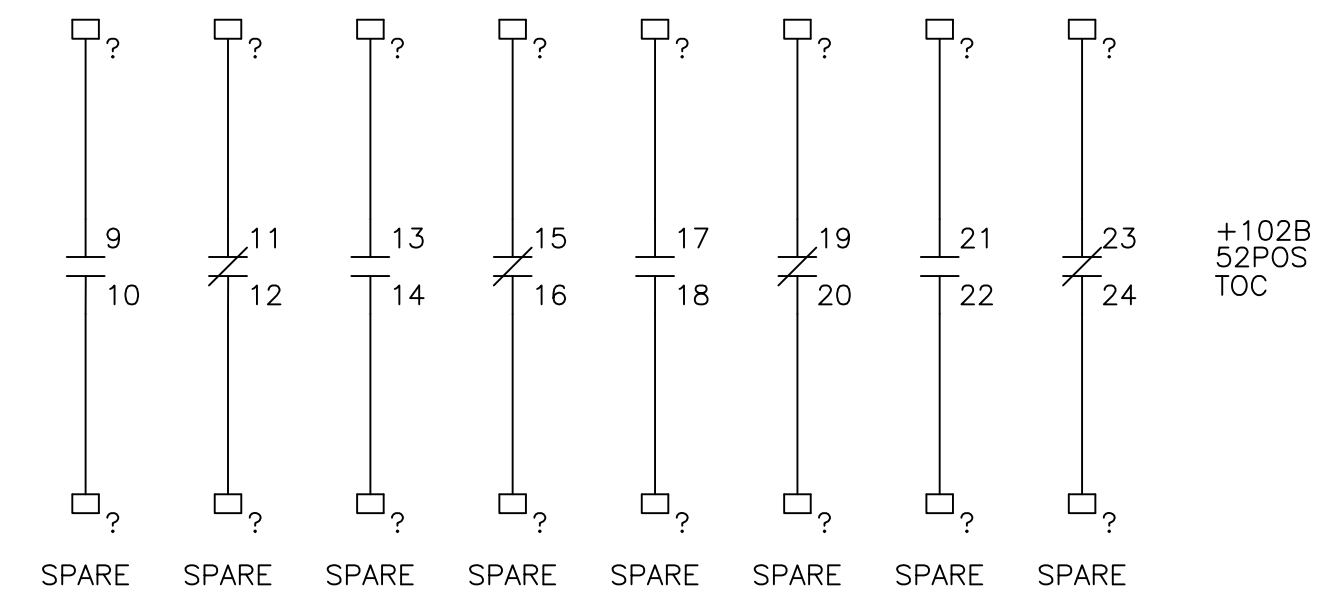
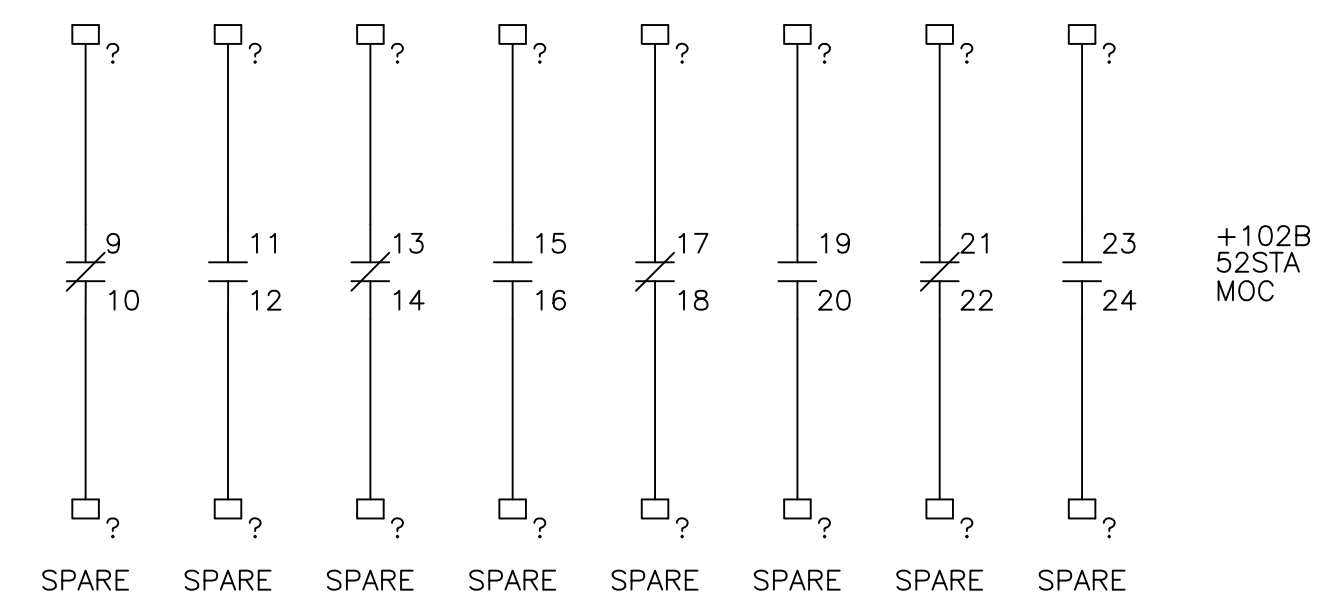
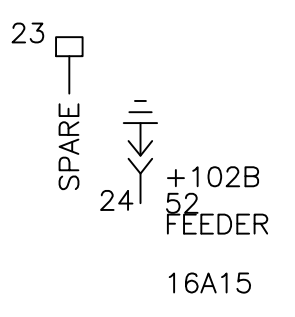
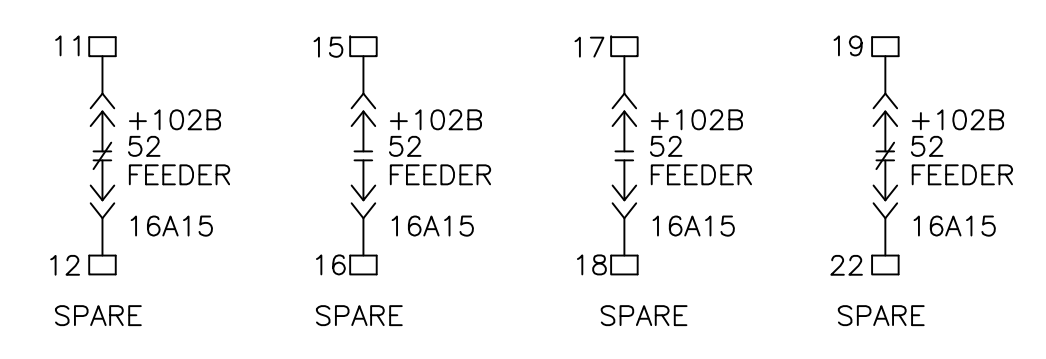
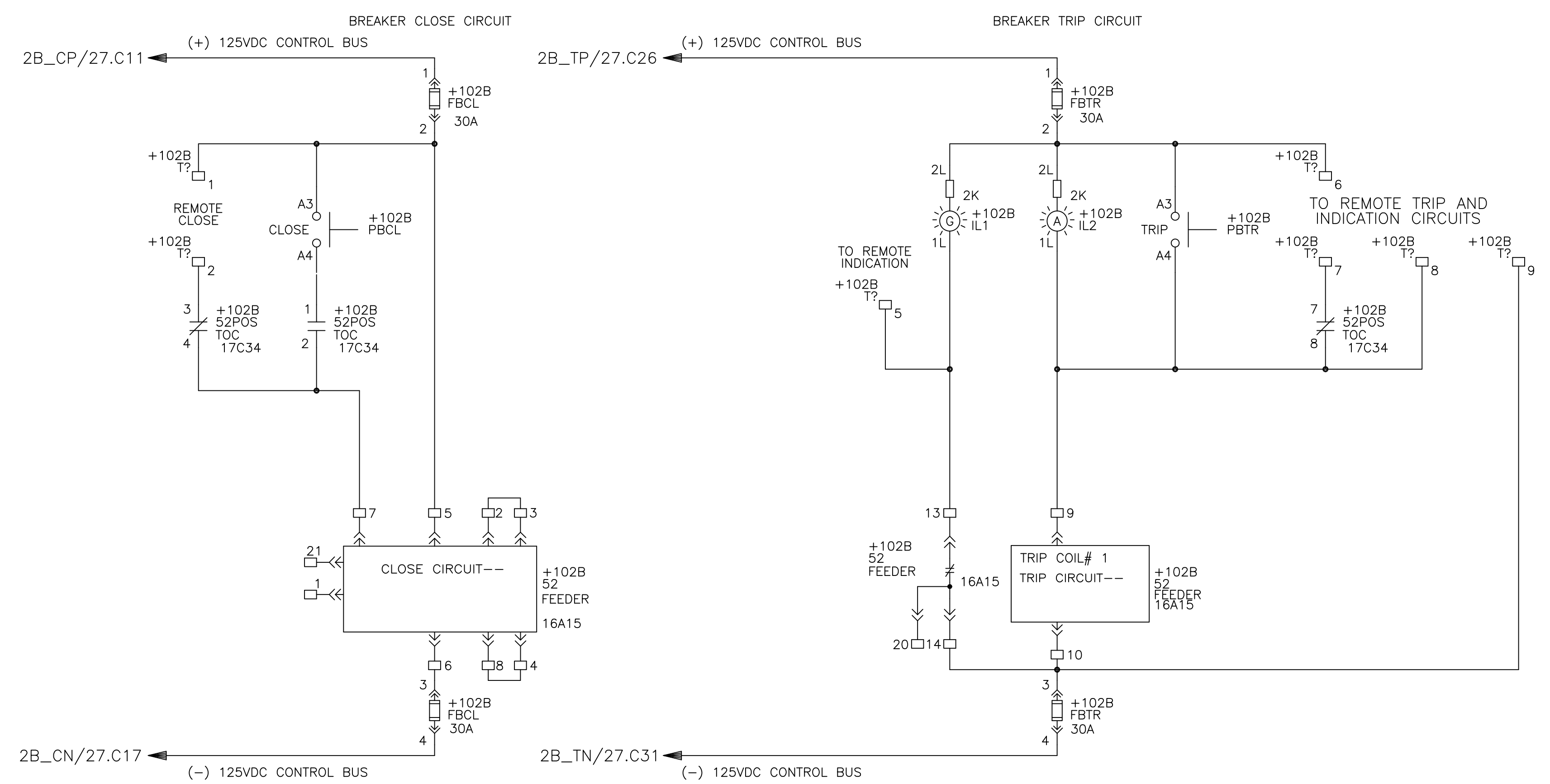
FOR APPROVAL ONLY
NOT FOR CONSTRUCTION

Confidential Information! Must not be used in any way detrimental to Powell Industries. In the event this drawing is lost, mail to:	PowerVac Switchgear POWER CIRCUIT - UNIT 102B
DESIGNER:	GE PO: 0940000047
ENGINEER: Nguyen/Singh	REQ: 360-28256
DATE: 04/18/08	DWG./DISK NO: 1024630101
ISSUED:	APPROVALS
	HOUSTON, TX
	SH.NO. 16



THIS DRAWING NOT TO SCALE	REV: 0	PowerVac Switchgear BREAKER CONTROL CIRCUIT - UNIT 102B REQUISITION: 360-28256 DWG./DISK NO: 1024630101
	1024630101 SH.NO. 17	

01
02
03
04
05
06
07
08
09
10
11
12
13
14
15
16
17
18
19
20
21
22
23
24
25
26
27
28
29
30
31
32
33
34
35
36
37
38
39
40
41



UNIT 102B
SPARE FEEDER

Manufactured by **POWELL**



FOR APPROVAL ONLY
NOT FOR CONSTRUCTION

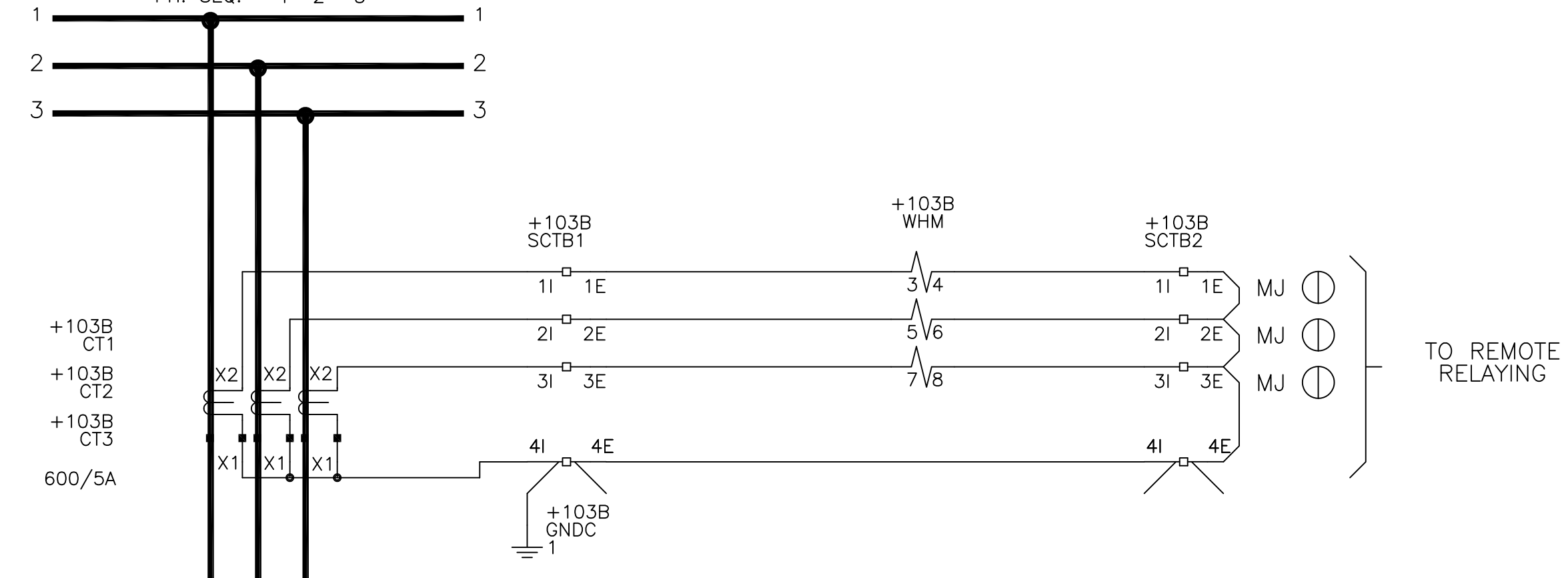
Confidential Information! Must not be used in any way detrimental to Powell Industries. In the event this drawing is lost, mail to: Powell Electrical Systems, Inc. 12305 Kurland Dr. Houston, Texas 77034 Tel: (713) 709-1700		PowerVac Switchgear BREAKER CONTROL CIRCUIT - UNIT 102B	
DESIGNER:	GE PO: 0940000047	ENGINEER: Nguyen/Singh	REQ: 360-28256
DATE: 04/18/08	ISSUED:	APPROVALS:	HOUSTON, TX
			SH.NO. 17

4
C
2
REV

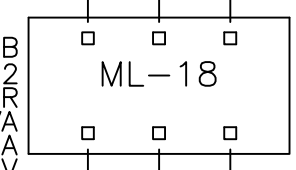
THIS DRAWING NOT TO SCALE	REV: 0 1024630101 SH.NO. 18	PowerVac Switchgear POWER CIRCUIT - UNIT 103B REQUISITION: 360-28256 DWG./DISK NO: 1024630101
---------------------------	-----------------------------------	--

MAIN BUS
UNIT 103B

7200 V-3PH-3W-25HZ BUS
PH. SEQ. 1-2-3

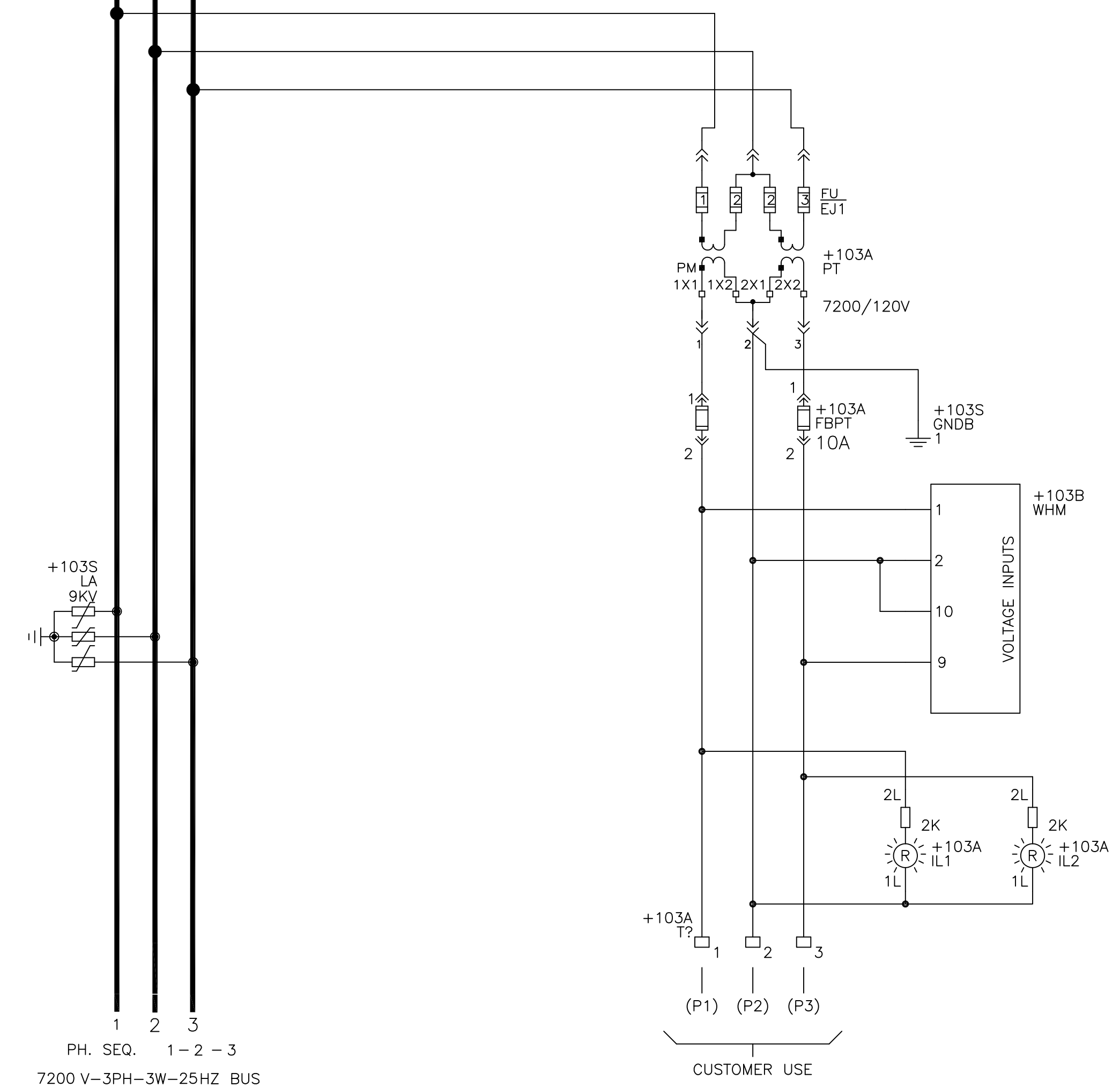


+103B
52
FEEDER
500MVA
1200A
7200V

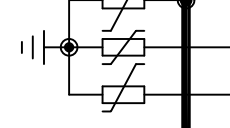


LINE CONNECTED PT
COMPARTMENT 103A

7200 V-3PH-3W-25HZ BUS
PH. SEQ. 1-2-3



+103S
LA
9KV



PH. SEQ. 1-2-3

7200 V-3PH-3W-25HZ BUS

TO LOAD

TO REMOTE
RELAYING

CUSTOMER USE

UNIT 103B
130 FEEDER

Confidential Information! Must not be used in any way detrimental to Powell Industries. In the event this drawing is lost, mail to: Powell Electrical Systems, Inc. 12305 Kurland Dr. Houston, Texas 77034 Tel: (713) 709-1700	Manufactured by POWELL		FOR APPROVAL ONLY NOT FOR CONSTRUCTION	1 REV
	PowerVac Switchgear POWER CIRCUIT - UNIT 103B	DESIGNER: ENGINEER: Nguyen/Singh DATE: 04/18/08 ISSUED:	APPROVALS	GE PO: 0940000047 REQ: 360-28256 DWG./DISK NO: 1024630101 HOUSTON, TX SH.NO. 18

4

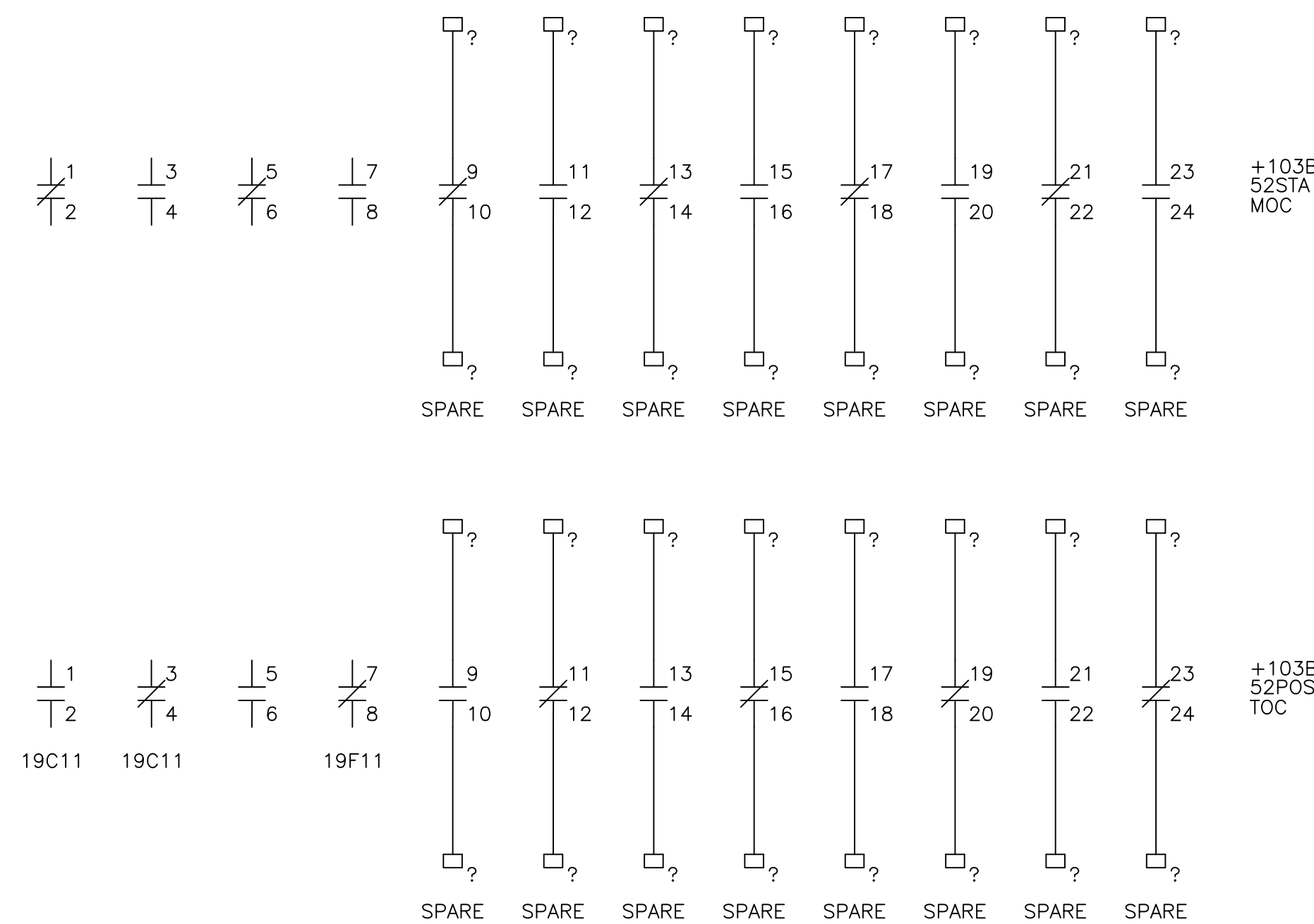
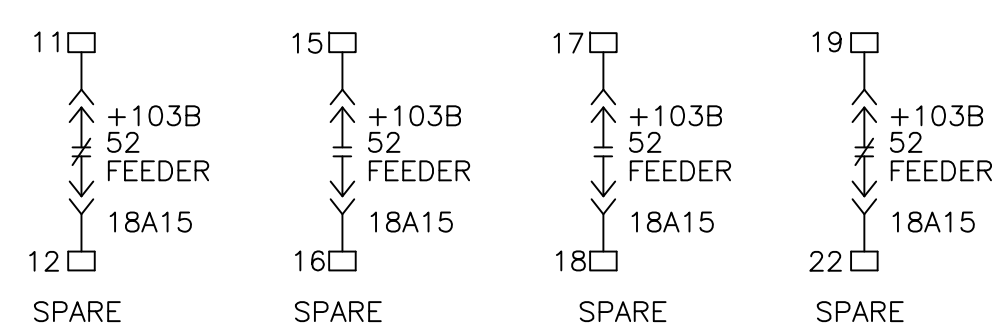
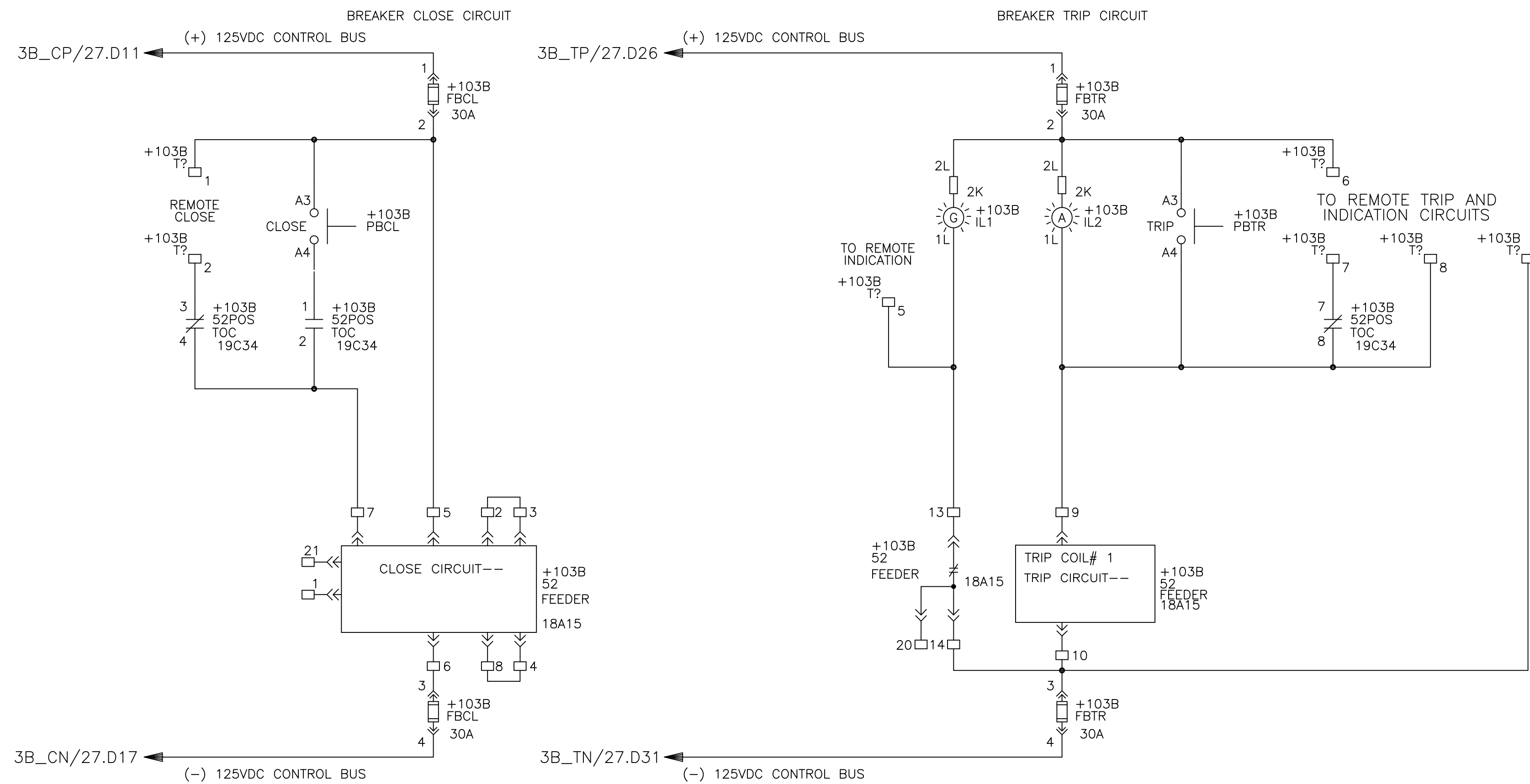
5

2

1
REV



THIS DRAWING NOT TO SCALE	REV: 0 1024630101 SH.NO. 19	PowerVac Switchgear BREAKER CONTROL CIRCUIT - UNIT 103B REQUISITION: 360-28256 DWG./DISK NO: 1024630101
---------------------------	-----------------------------------	--



FOR APPROVAL ONLY
NOT FOR CONSTRUCTION

Manufactured by POWELL

PowerVac Switchgear
BREAKER CONTROL CIRCUIT - UNIT 103B

DESIGNER:	GE PO: 0940000047
ENGINEER: Nguyen/Singh	REQ: 360-28256
DATE: 04/18/08	DWG./DISK NO: 1024630101
ISSUED:	HOUSTON, TX
	SH.NO. 19

4

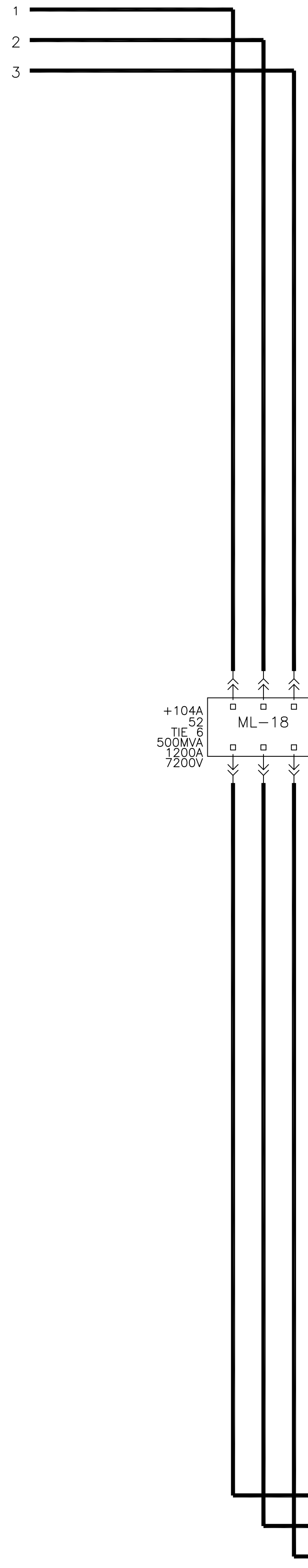
2

REV

01
02
03
04
05
06
07
08
09
10
11
12
13
14
15
16
17
18
19
20
21
22
23
24
25
26
27
28
29
30
31
32
33
34
35
36
37
38
39
40
41

MAIN BUS - UNIT 104A

7200 V-3PH-3W-25HZ BUS
PH. SEQ. 1-2 -3



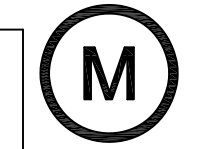
GE CONSUMER & INDUSTRIAL

THIS DRAWING NOT TO SCALE	REV: 0	PowerVac Switchgear
	1024630101	POWER CIRCUIT - UNIT 104A
	SH.NO. 20	REQUISITION: 360-28256 DWG./DISK NO: 1024630101

4
5
2
1

UNIT 104A
TIE 6

Manufactured by **POWELL**

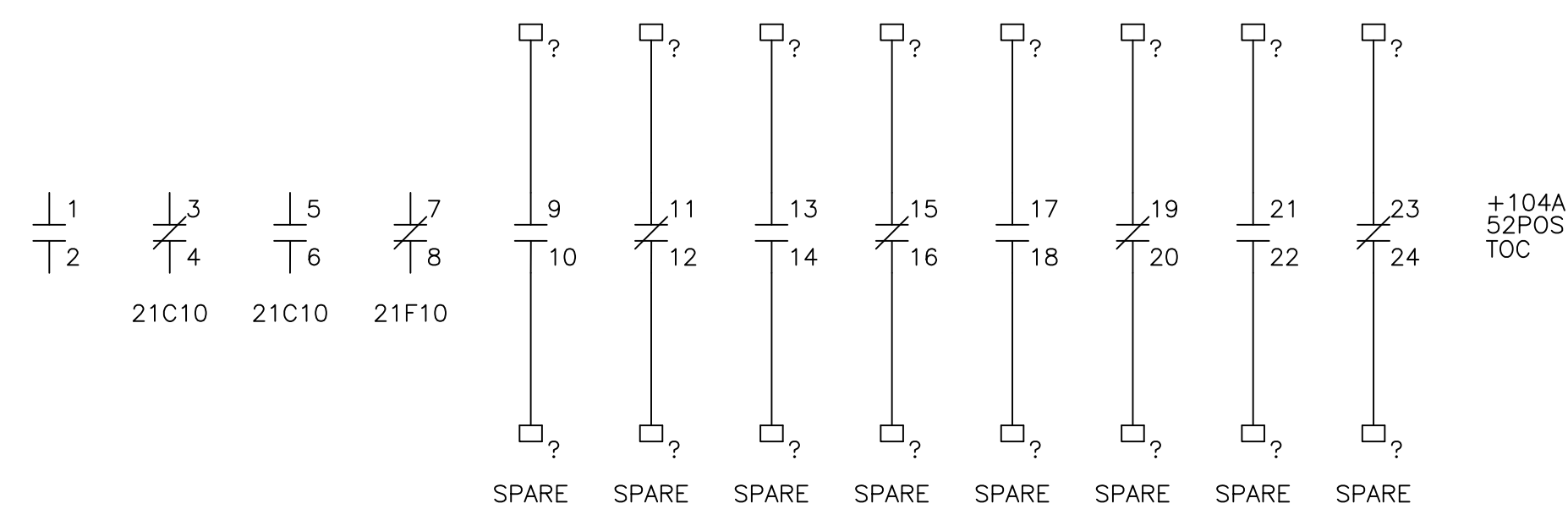
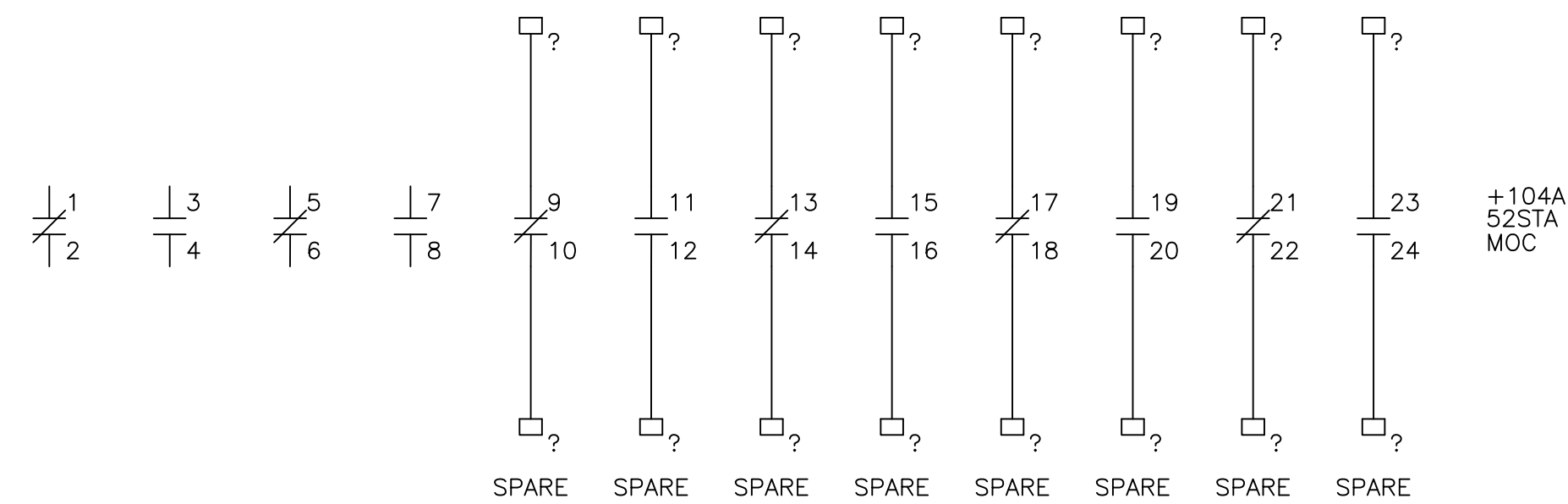
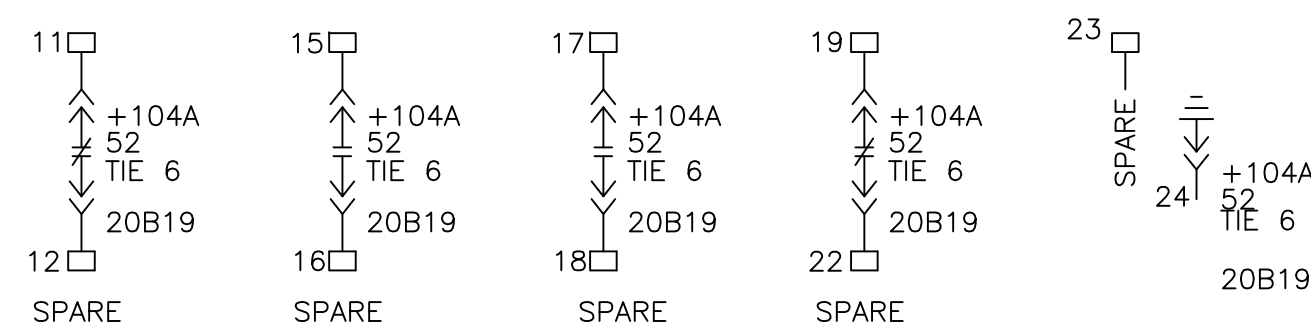
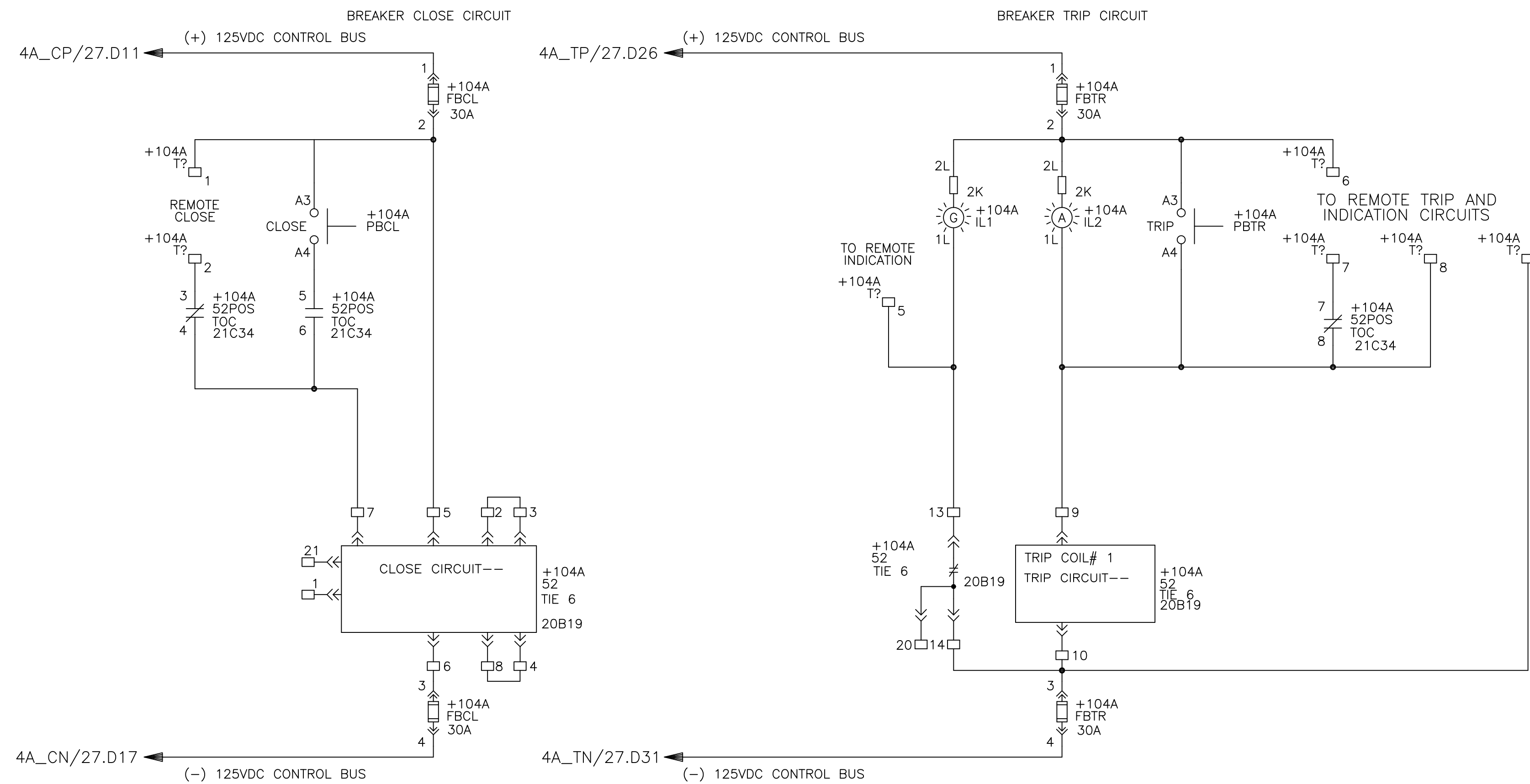


FOR APPROVAL ONLY
NOT FOR CONSTRUCTION

Confidential Information! Must not be used in any way detrimental to Powell Industries. In the event this drawing is lost, mail to: Powell Electrical Systems, Inc. 12305 Kurland Dr. Houston, Texas 77034 Tel: (713) 709-1700	PowerVac Switchgear	
	POWER CIRCUIT - UNIT 104A	
	DESIGNER:	GE PO: 0940000047
	ENGINEER: Nguyen/Singh	REQ: 360-28256 DWG./DISK NO: 1024630101
DATE: 04/21/08	APPROVALS	
ISSUED:		HOUSTON, TX SH.NO. 20



THIS DRAWING NOT TO SCALE	REV: 0 1024630101 SH.NO. 21	PowerVac Switchgear BREAKER CONTROL CIRCUIT - UNIT 104A REQUISITION: 360-28256 DWG./DISK NO: 1024630101
---------------------------	-----------------------------------	--



Manufactured by POWELL



FOR APPROVAL ONLY
NOT FOR CONSTRUCTION

Confidential Information! Must not be used in any way detrimental to Powell Industries. In the event this drawing is lost, mail to: Powell Electrical Systems, Inc. 12305 Kurland Dr. Houston, Texas 77034 Tel: (713) 709-1700		PowerVac Switchgear BREAKER CONTROL CIRCUIT - UNIT 104A	
DESIGNER:	GE PO: 0940000047	ENGINEER: Nguyen/Singh	REQ: 360-28256
DATE: 04/21/08	ISSUED:	APPROVALS:	DWG./DISK NO: 1024630101
		HOUSTON, TX	SH.NO. 21

4

5

2

REV

MAIN BUS - UNIT 104B

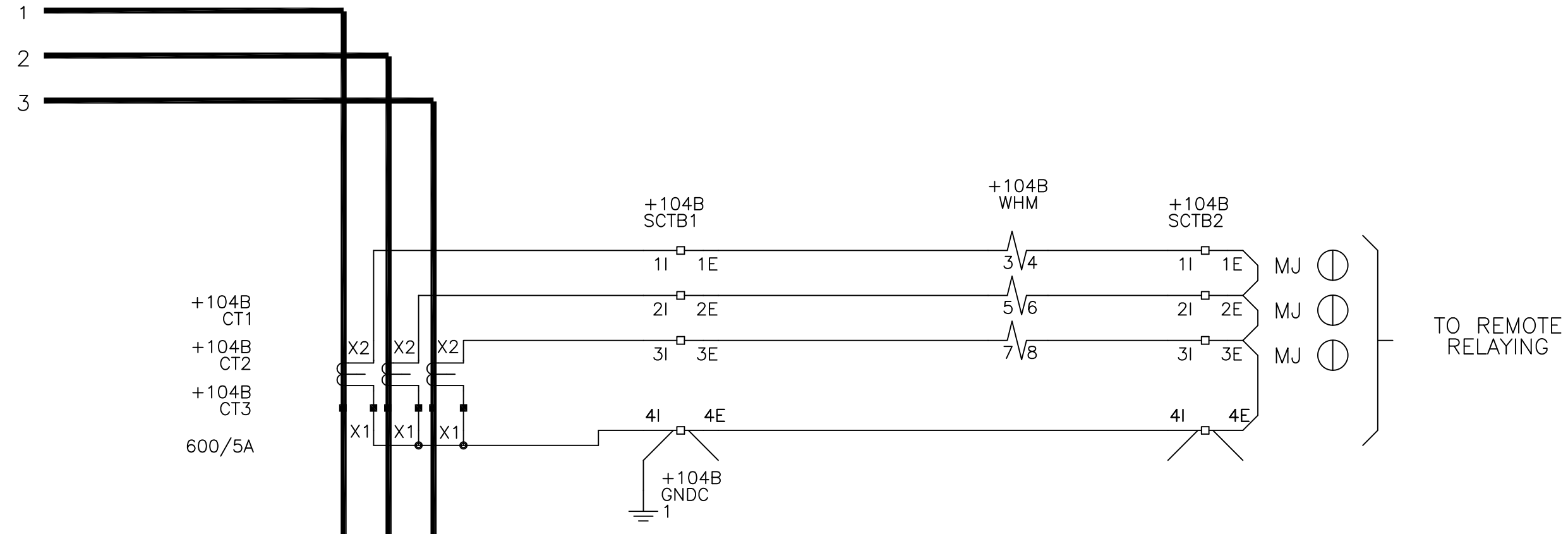
V-3PH-3W-25HZ BUS
PH. SEQ. 1-2-3



GE CONSUMER & INDUSTRIAL

THIS DRAWING NOT TO SCALE	REV: 0 1024630101 SH.NO. 22	PowerVac Switchgear POWER CIRCUIT - UNIT 104B REQUISITION: 360-28256 DWG./DISK NO: 1024630101
---------------------------	-----------------------------------	--

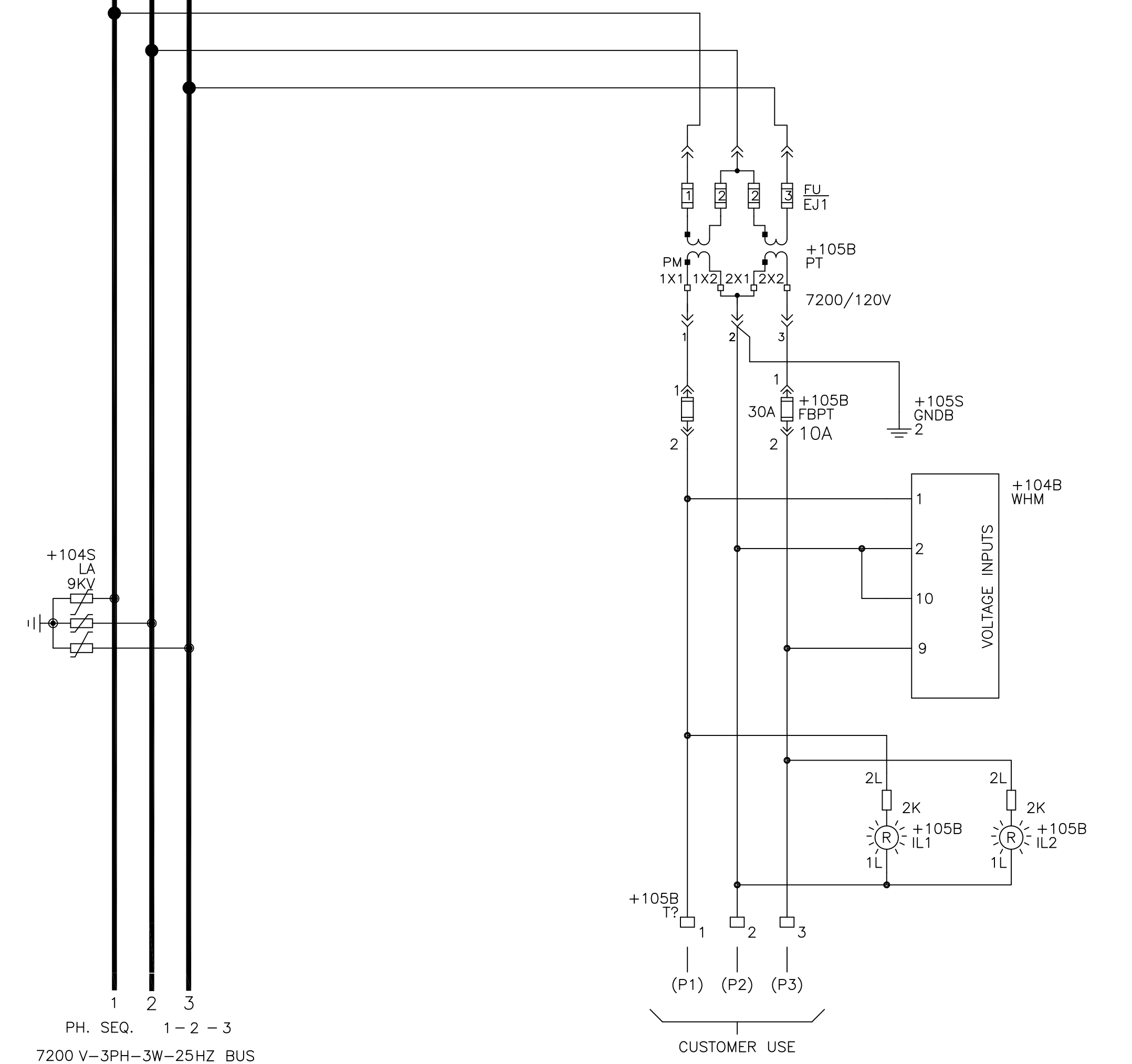
01
02
03
04
05
06
07
08
09
10
11
12
13
14
15
16
17
18
19
20
21
22
23
24
25
26
27
28
29
30
31
32
33
34
35
36
37
38
39
40
41



+104B
52
FEEDER
500MVA
1200A
7200V

ML-18

LINE CONNECTED PT
COMPARTMENT 105B
7200 V-3PH-3W-25HZ BUS
PH. SEQ. 1-2-3



+104S
LA
9KV

PH. SEQ. 1-2-3
7200 V-3PH-3W-25HZ BUS

TO LOAD

UNIT 104B
2AC
FEEDER BREAKER

Confidential Information! Must not be used in any way detrimental to Powell Industries. In the event this drawing is lost, mail to: Powell Electrical Systems, Inc. 12305 Kurland Dr. Houston, Texas 77034 Tel: (713) 709-1700	Manufactured by POWELL	PowerVac Switchgear POWER CIRCUIT - UNIT 104B	FOR APPROVAL ONLY NOT FOR CONSTRUCTION
	DESIGNER: ENGINEER: Nguyen/Singh DATE: 04/21/08 ISSUED:	GE PO: 0940000047 REQ: 360-28256 APPROVALS HOUSTON, TX	DWG./DISK NO: 1024630101 SH.NO. 22

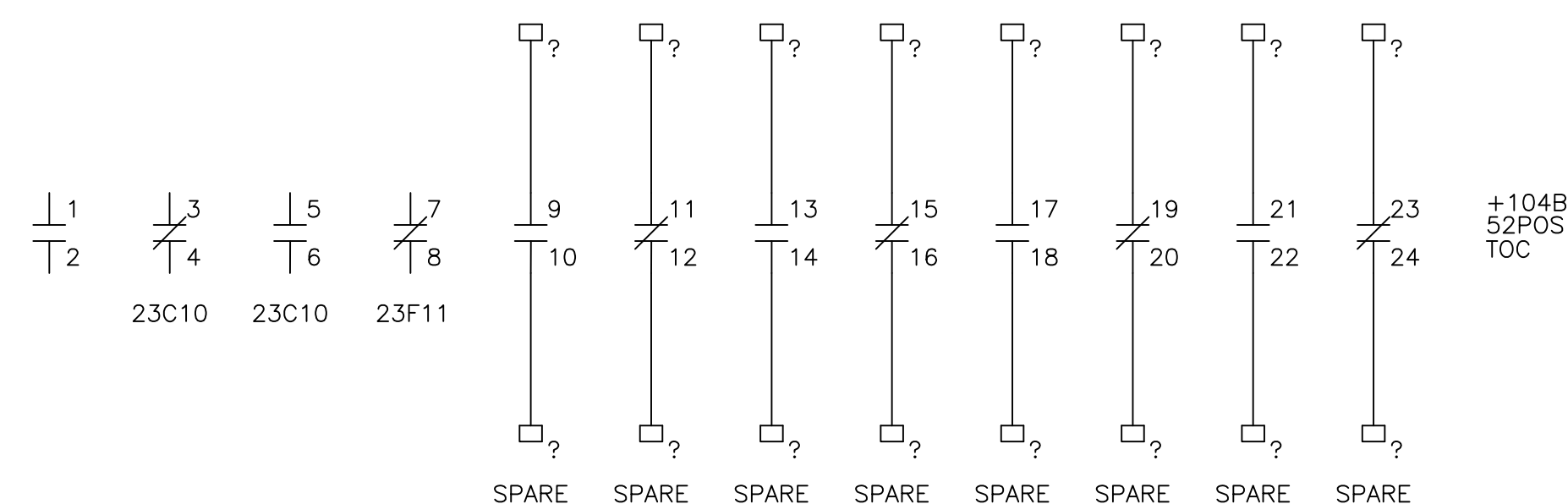
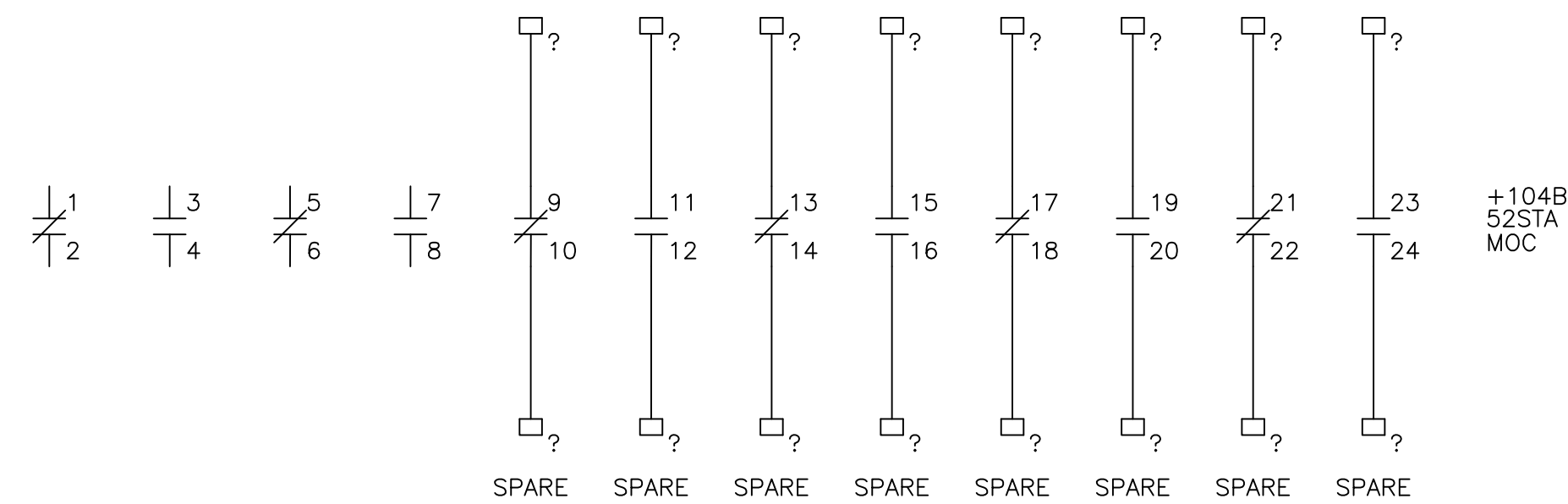
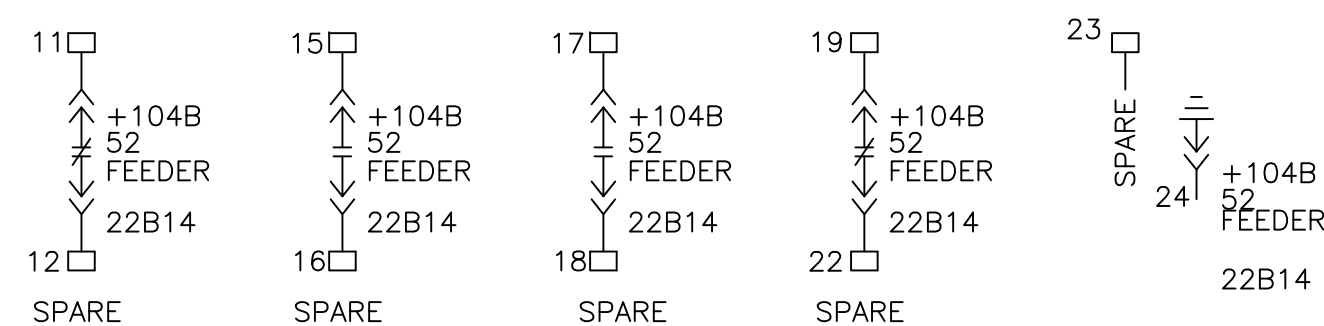
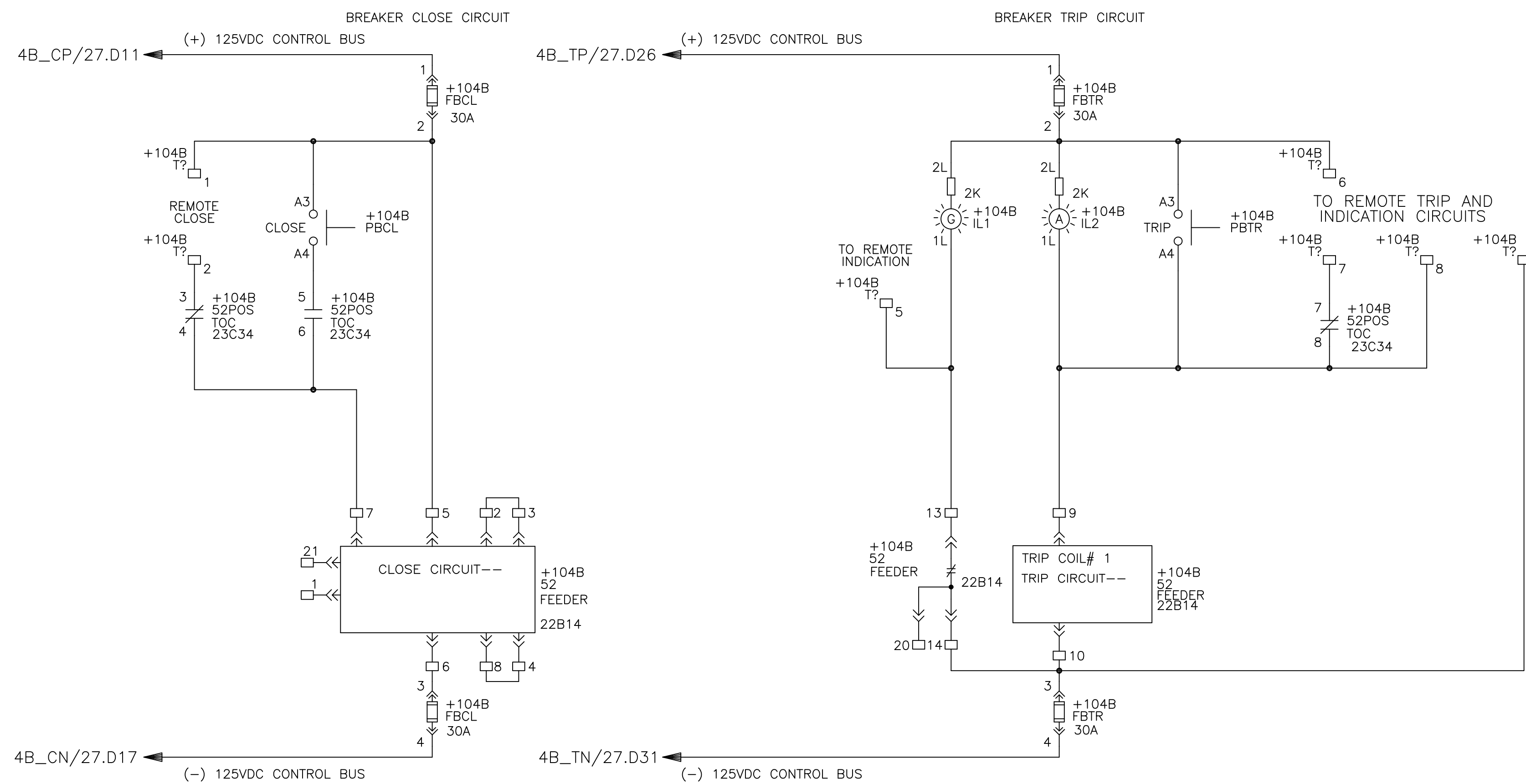
4
5
2
1



THIS DRAWING NOT TO SCALE

REV: 0
1024630101
SH.NO. 23

PowerVac Switchgear
BREAKER CONTROL CIRCUIT - UNIT 104B
REQUISITION: 360-28256 DWG./DISK NO: 1024630101



Manufactured by POWELL



FOR APPROVAL ONLY
NOT FOR CONSTRUCTION

Confidential Information! Must not be used in any way detrimental to Powell Industries. In the event this drawing is lost, mail to: Powell Electrical Systems, Inc. 12305 Kurland Dr. Houston, Texas 77034 Tel: (713) 709-1700

PowerVac Switchgear BREAKER CONTROL CIRCUIT - UNIT 104B	
DESIGNER:	GE PO: 0940000047
ENGINEER: Nguyen/Singh	REQ: 360-28256 DWG./DISK NO: 1024630101
DATE: 04/21/08	APPROVALS
ISSUED:	HOUSTON, TX SH.NO. 23

4

5

2

REV

A

B

C

D

E

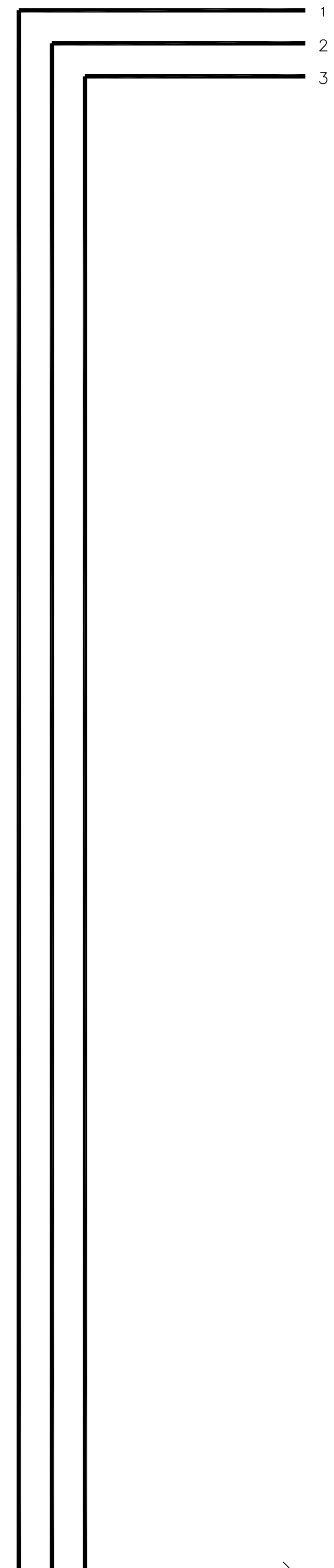
F

G

H

MAI BUS - BUS 105A

7200 V-3PH-3W-25HZ BUS
PH. SEQ. 1-2 -3



7200 V-3PH-3W-25HZ BUS
PH. SEQ. 1-2 -3

TAPOFF



GE CONSUMER & INDUSTRIAL

THIS DRAWING NOT TO SCALE	REV: 0	PowerVac Switchgear
	1024630101	POWER CIRCUIT - UNIT 105A
	SH.NO. 24	REQUISITION: 360-28256 DWG./DISK NO: 1024630101

01
02
03
04
05
06
07
08
09
10
11
12
13
14
15
16
17
18
19
20
21
22
23
24
25
26
27
28
29
30
31
32
33
34
35
36
37
38
39
40
41

4

5

2

1

REV

UNIT 105A
BUS TIE 6 AUXILIARY
AND
BUS TIE 5 CABLE ENTRY

Manufactured by **POWELL**



FOR APPROVAL ONLY
NOT FOR CONSTRUCTION

Confidential Information! Must not be used in any way detrimental to Powell Industries. In the event this drawing is lost, mail to: Powell Electrical Systems, Inc. 12305 Kurland Dr. Houston, Texas 77034 Tel: (713) 709-1700		PowerVac Switchgear POWER CIRCUIT - UNIT 105A	
DESIGNER:	GE PO: 0940000047	ENGINEER: Nguyen/Singh	REQ: 360-28256 DWG./DISK NO: 1024630101
DATE: 04/21/08	ISSUED:	APPROVALS	HOUSTON, TX SH.NO. 24

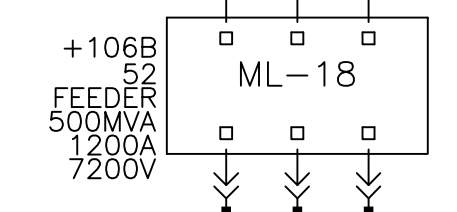
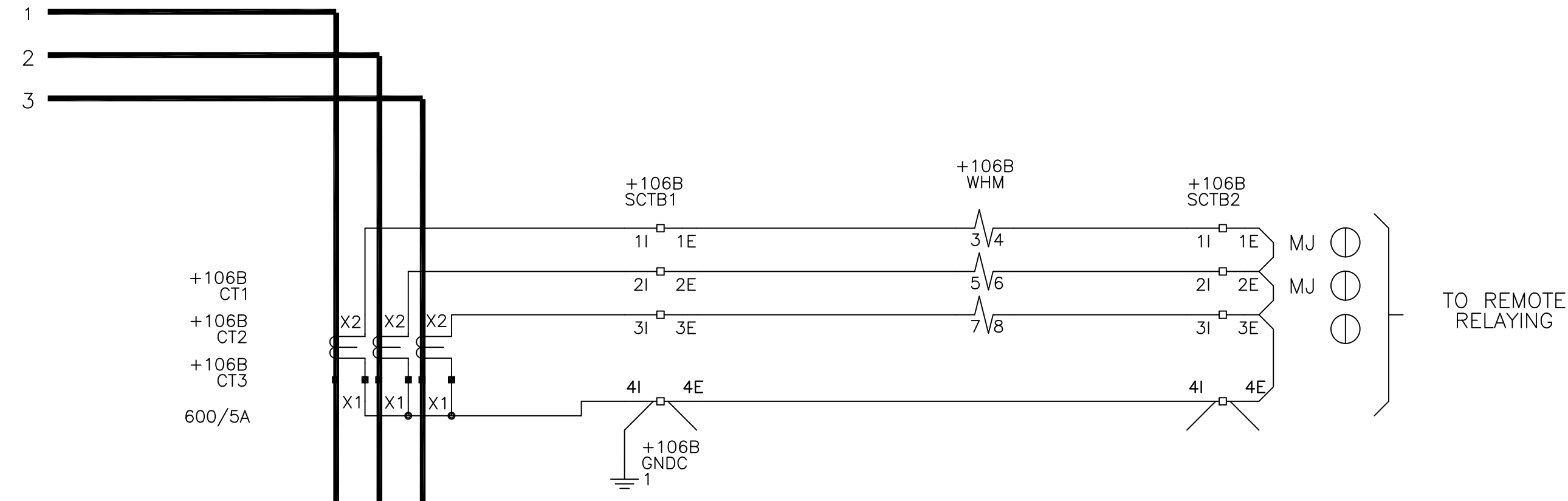


GE CONSUMER & INDUSTRIAL

THIS DRAWING NOT TO SCALE	REV: 0 1024630101 SH.NO. 25	PowerVac Switchgear POWER CIRCUIT - UNIT 106B REQUISITION: 360-28256 DWG./DISK NO: 1024630101
---------------------------	-----------------------------------	--

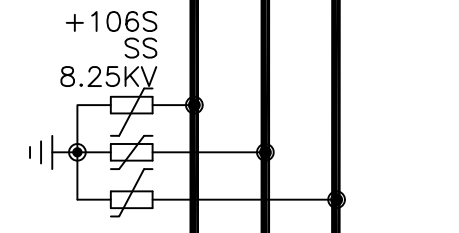
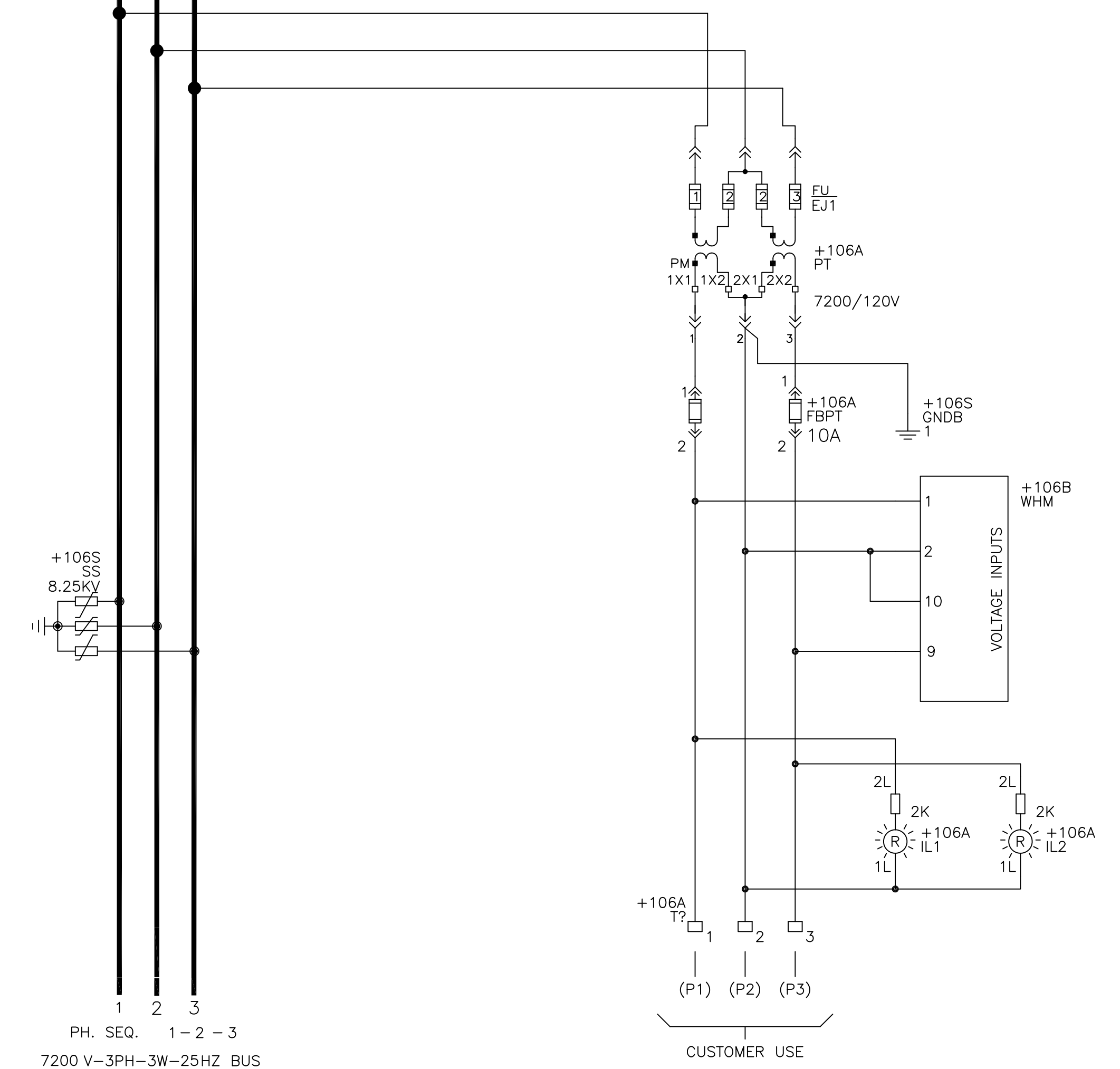
MAIN BUS - UNIT 106B

7200 V-3PH-3W-25HZ BUS
PH. SEQ. 1-2-3



LINE CONNECTED PT COMPARTMENT 106A

7200 V-3PH-3W-25HZ BUS
PH. SEQ. 1-2-3



PH. SEQ. 1-2-3
7200 V-3PH-3W-25HZ BUS

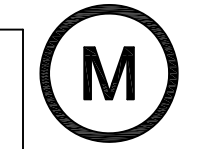
TO LOAD

TO REMOTE RELAYING

CUSTOMER USE

UNIT 106B 516 FEEDER BREAKER

Manufactured by **POWELL**



FOR APPROVAL ONLY
NOT FOR CONSTRUCTION

Confidential Information! Must not be used in any way detrimental to Powell Industries. In the event this drawing is lost, mail to:		PowerVac Switchgear POWER CIRCUIT - UNIT 106B	
Powell Electrical Systems, Inc. 12305 Kurland Dr. Houston, Texas 77034 Tel: (713) 709-1700	DESIGNER:	GE PO: 0940000047	
	ENGINEER: Nguyen/Singh	REQ: 360-28256	DWG./DISK NO: 1024630101
	DATE: 04/21/08	ISSUED:	HOUSTON, TX SH.NO. 25

4

5

2

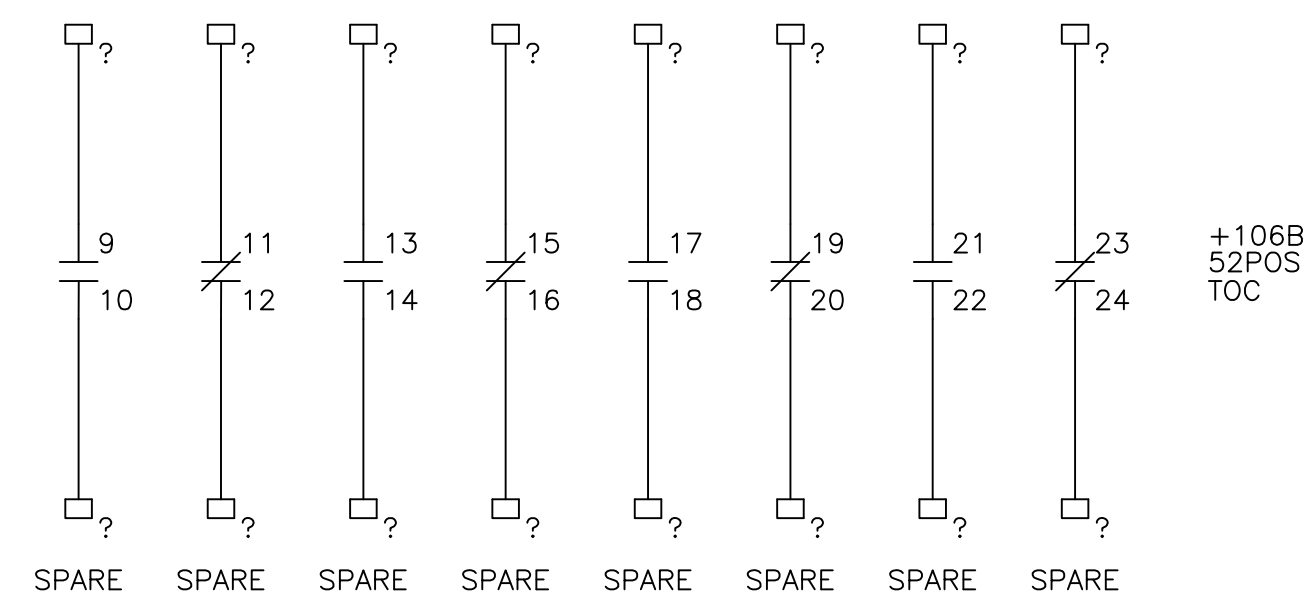
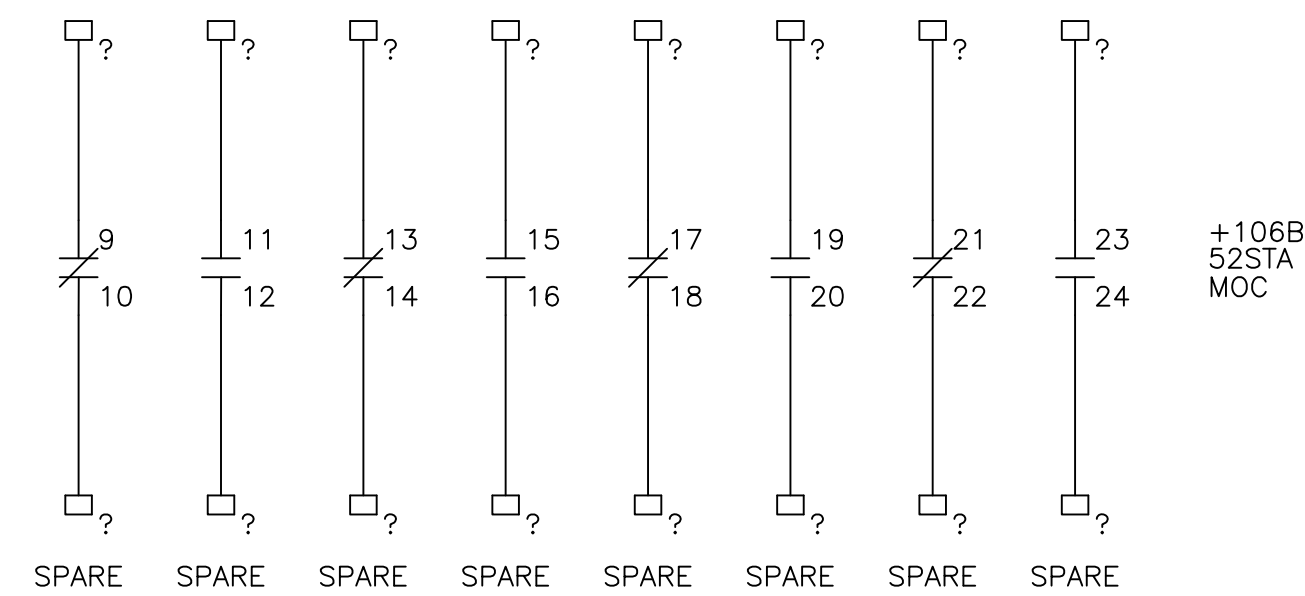
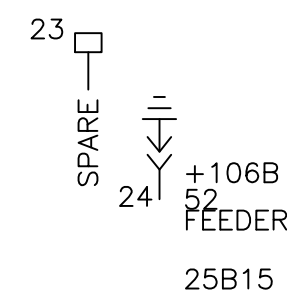
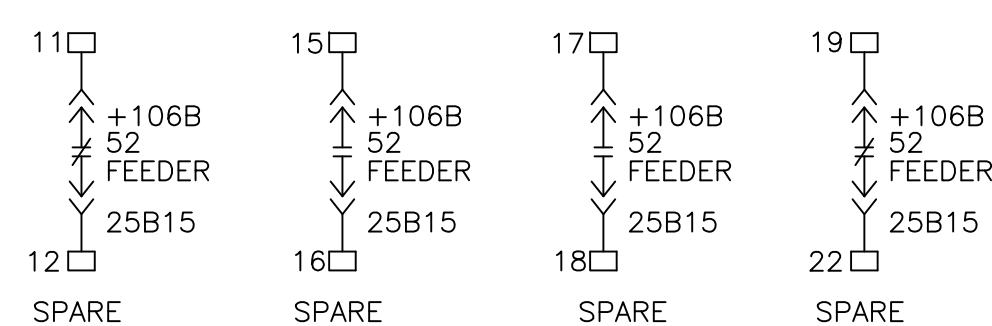
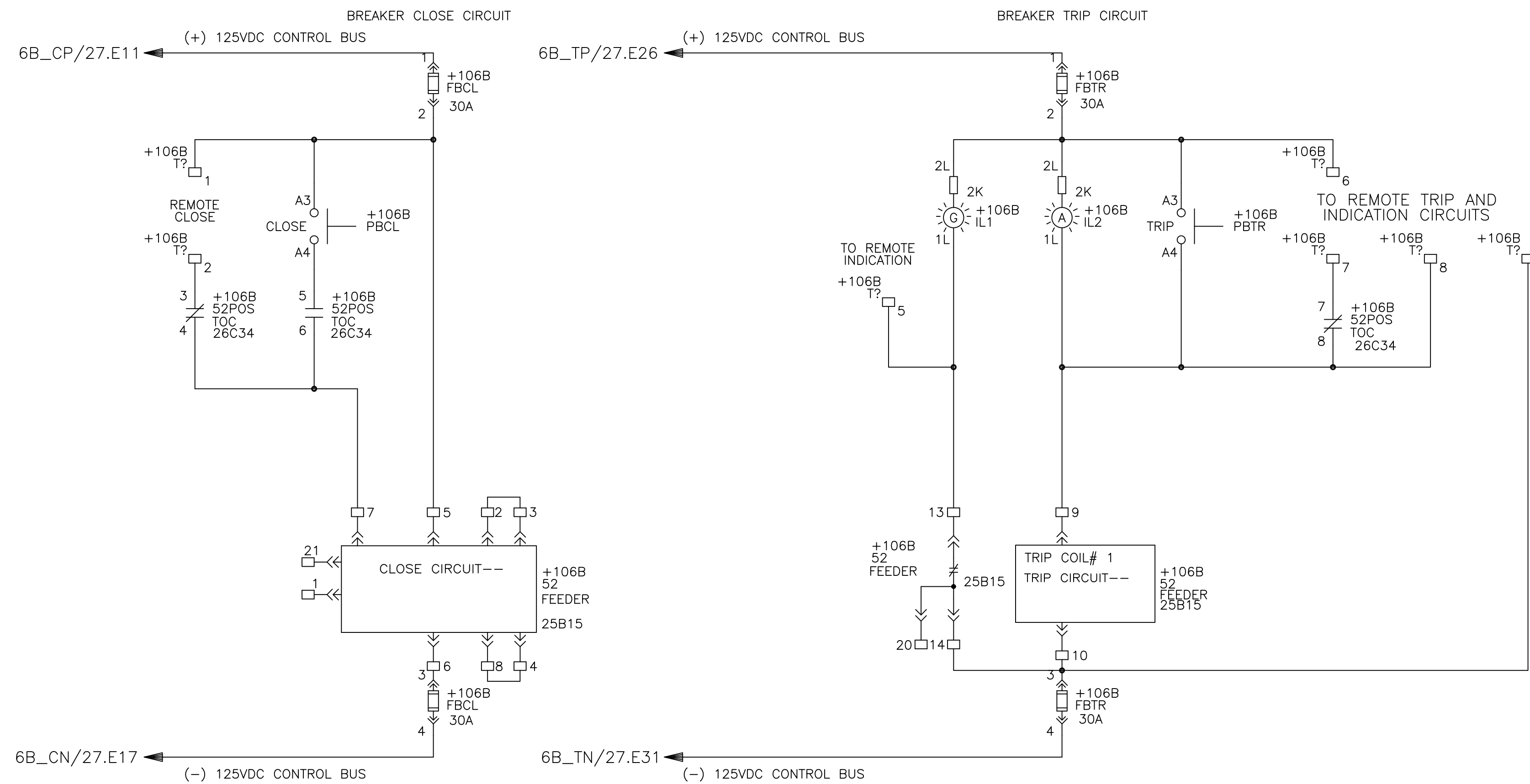
REV



THIS DRAWING NOT TO SCALE

REV: 0
1024630101
SH.NO. 26

PowerVac Switchgear
BREAKER CONTROL CIRCUIT - UNIT 106B
REQUISITION: 360-28256 DWG./DISK NO: 1024630101



Manufactured by POWELL



FOR APPROVAL ONLY
NOT FOR CONSTRUCTION

Confidential Information! Must not be used in any way detrimental to Powell Industries. In the event this drawing is lost, mail to: Powell Electrical Systems, Inc. 12305 Kurland Dr. Houston, Texas 77034 Tel: (713) 709-1700

PowerVac Switchgear BREAKER CONTROL CIRCUIT - UNIT 106B	
DESIGNER:	GE PO: 0940000047
ENGINEER: Nguyen/Singh	REQ: 360-28256 DWG./DISK NO: 1024630101
DATE: 04/21/08	APPROVALS
ISSUED:	HOUSTON, TX SH.NO. 26

4

5

2

REV

A

B

C

D

E

F

G

H

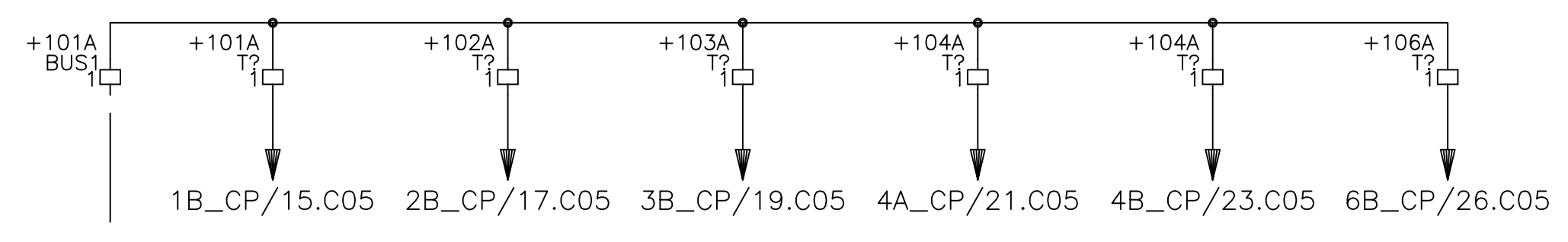


GE CONSUMER & INDUSTRIAL

THIS DRAWING NOT TO SCALE	REV: 0	PowerVac Switchgear
	1024630101	BREAKER TRIP & CLOSE CONTROL POWER
	SH.NO. 27	REQUISITION: 360-28256 DWG./DISK NO: 1024630101

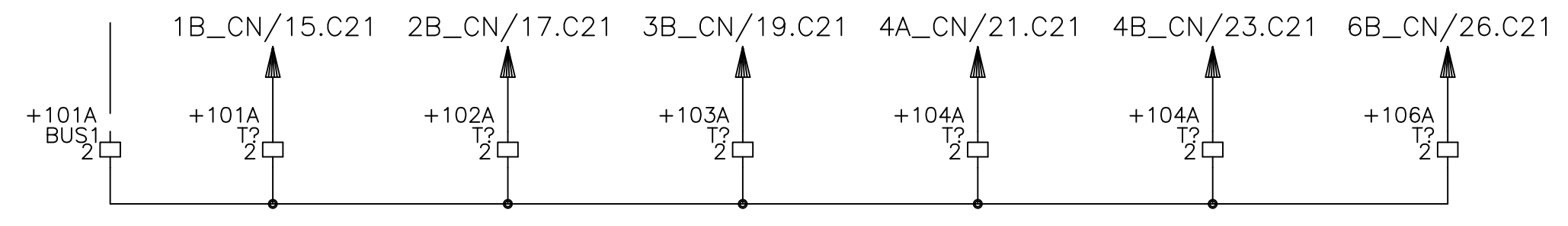
01
02
03
04
05
06
07
08
09
10
11
12
13
14
15
16
17
18
19
20
21
22
23
24
25
26
27
28
29
30
31
32
33
34
35
36
37
38
39
40
41

125VDC CLOSE CONTROL BUS

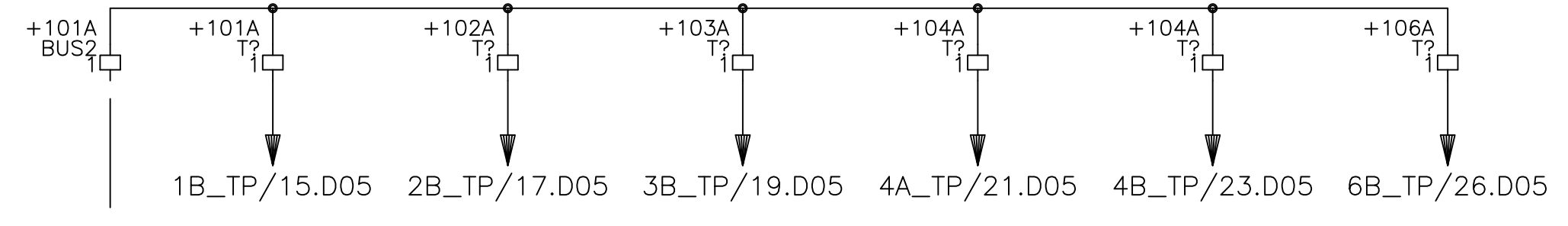


CUSTOMER 125 VDC SOURCE FOR CLOSE

UNIT 101B	UNIT 102B	UNIT 103B	UNIT 104A	UNIT 104B	UNIT 106B
-----------	-----------	-----------	-----------	-----------	-----------

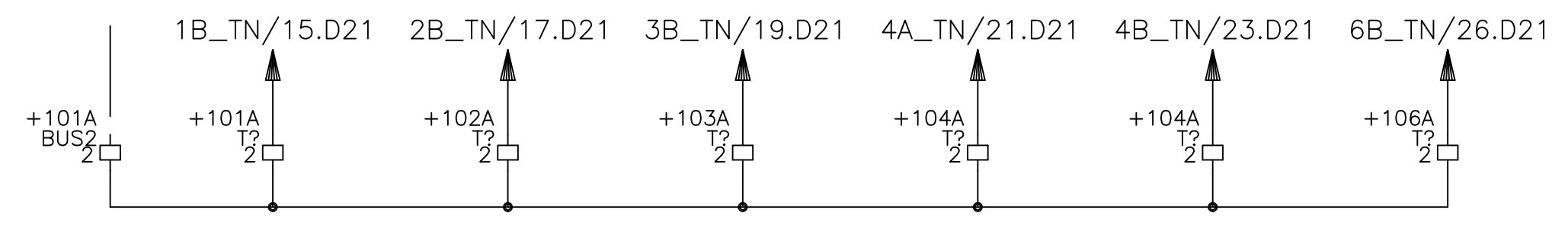


125VDC TRIP CONTROL BUS



CUSTOMER 125 VDC SOURCE FOR TRIP

UNIT 101B	UNIT 102B	UNIT 103B	UNIT 104A	UNIT 104B	UNIT 106B
-----------	-----------	-----------	-----------	-----------	-----------

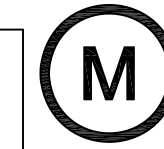


4

5

2

Manufactured by POWELL



FOR APPROVAL ONLY NOT FOR CONSTRUCTION

Confidential Information! Must not be used in any way detrimental to Powell Industries. In the event this drawing is lost, mail to:		PowerVac Switchgear	
Powell Electrical Systems, Inc. 12305 Kurland Dr. Houston, Texas 77034 Tel: (713) 709-1700		BREAKER TRIP & CLOSE CONTROL POWER	
DESIGNER:	ENGINEER: Nguyen/Singh	GE PO: 0940000047	REQ: 360-28256
DATE: 04/21/08	ISSUED:	APPROVALS	DWG./DISK NO: 1024630101
		HOUSTON, TX	SH.NO. 27

REV

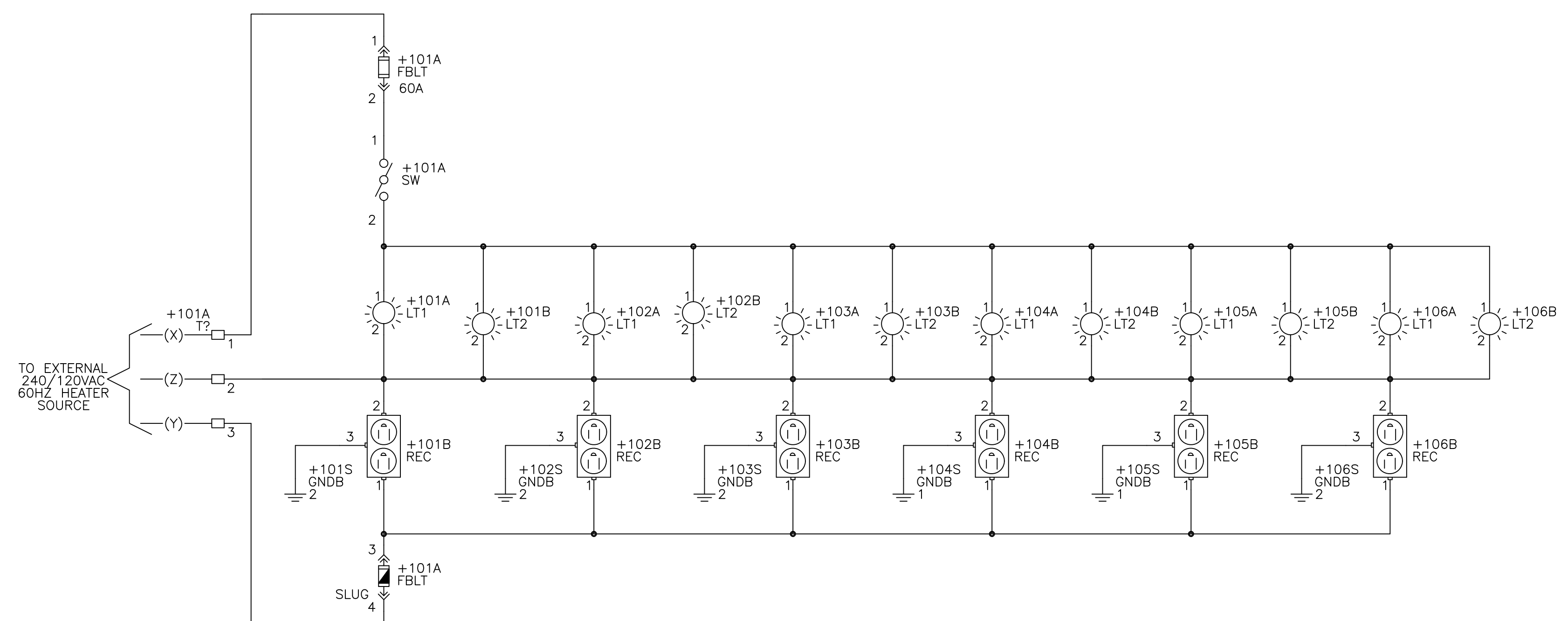
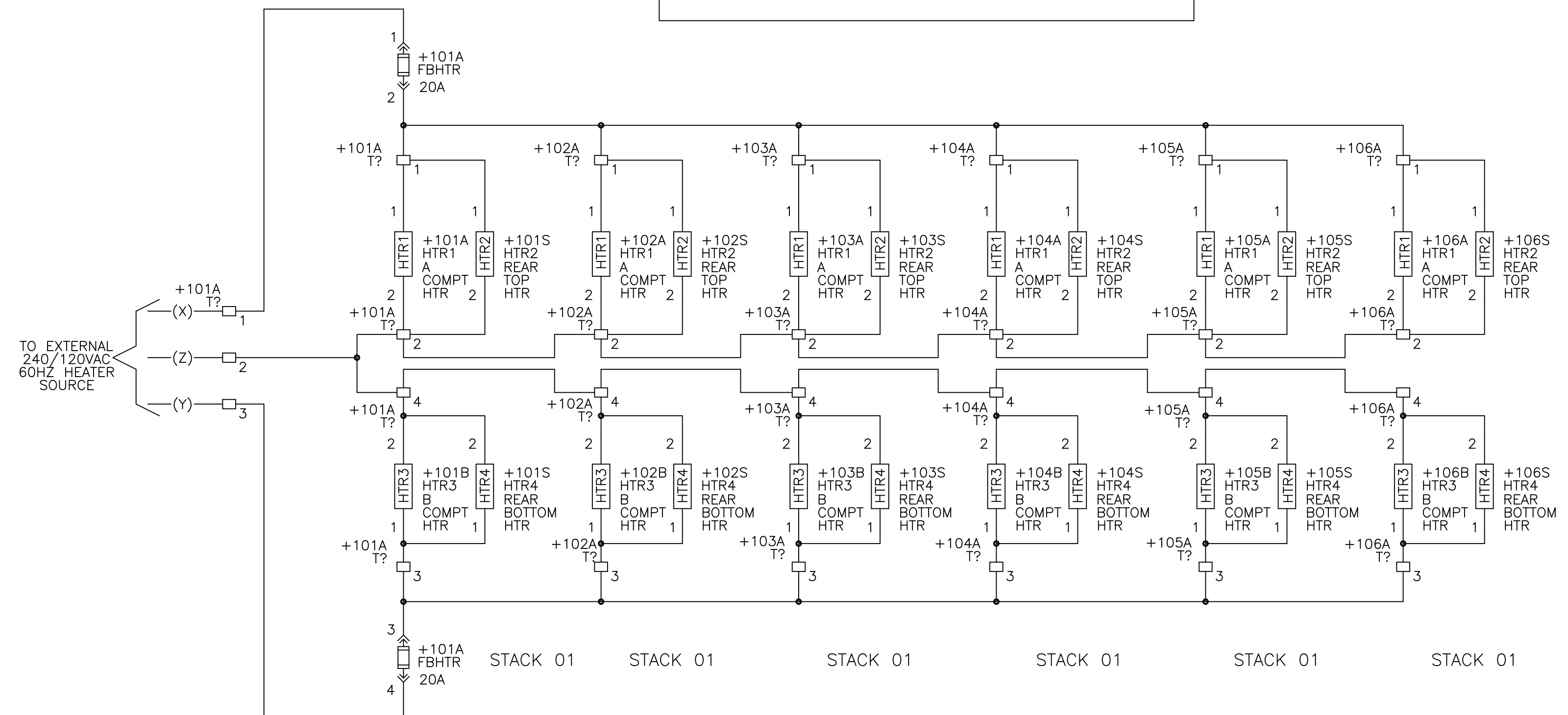


THIS DRAWING NOT TO SCALE

REV: 0
1024630101
SH.NO. 28

PowerVac Switchgear
LIGHT & RECEPTACLES AND HEATER CIRCUIT
REQUISITION: 360-28256
DWG./DISK NO: 1024630101

EACH STRIP HEATER IS RATED 300W AT 240VAC,
CONNECTED AT 120VAC,
75W/HEATER
TOTAL CURRENT DRAW = 15A



FOR APPROVAL ONLY
NOT FOR CONSTRUCTION



Confidential Information! Must not be used in any way detrimental to Powell Industries. In the event this drawing is lost, mail to: Powell Electrical Systems, Inc. 12305 Kurland Dr. Houston, Texas 77034 Tel: (713) 709-1700		PowerVac Switchgear LIGHT & RECEPTACLES AND HEATER CIRCUIT	
DESIGNER:	GE PO: 0940000047	ENGINEER: Nguyen/Singh	REQ: 360-28256
DATE: 04/21/08	APPROVALS	HOUSTON, TX	DWG./DISK NO: 1024630101
ISSUED:			SH.NO. 28

4

5

2

1

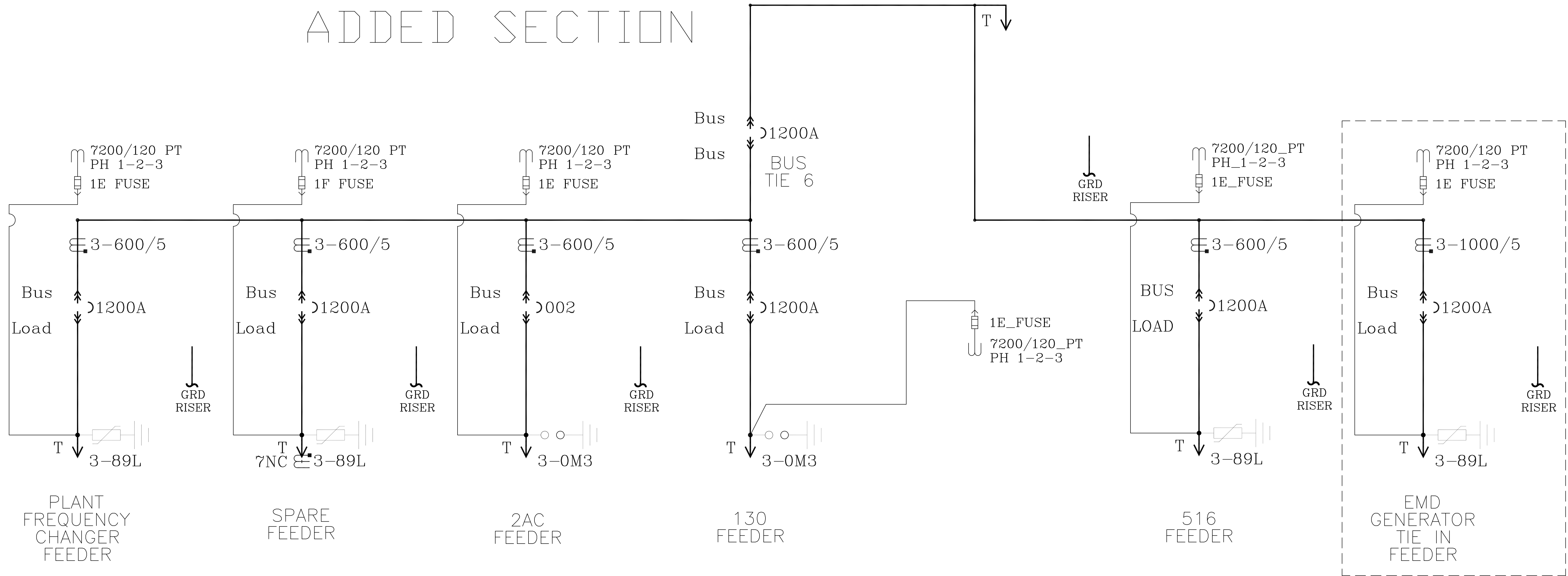
REV

Attachment 10.f

Volume 4, SSYRD Reference Documentation

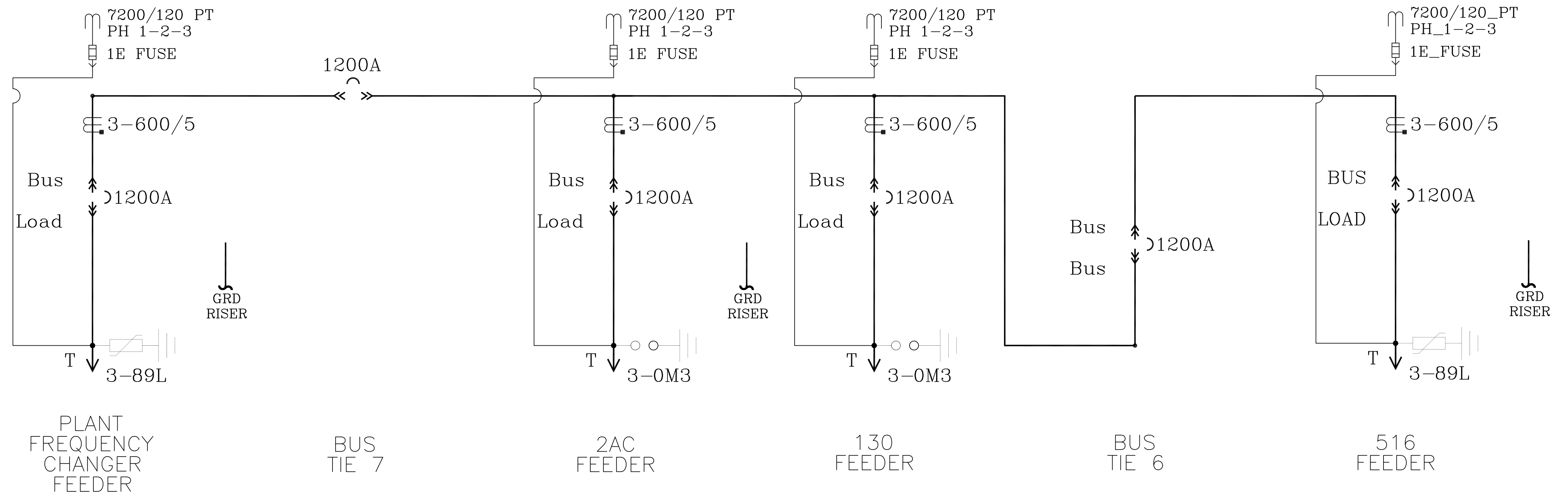
Attachment – 1420Vol4_SSYRD-IES_OneLines.pdf

NEW GE POWERVAC SWITCHGEAR WITH ADDED SECTION



REV.	DATE	BY	REVISIONS	CK.	APP.	 INDUSTRIAL ELECTRICAL SERVICES, INC.	DATE: 2/12/20	SEWERAGE & WATER BOARD NEW ORLEANS, LA	TITLE: CARROLTON PLANT OUTDOOR SWITCHGEAR ONE LINE DIAGRAM
							SCALE: no		
							DESIGNED: EJR		
							DRAWN: EJR		
							CHECKED: EJR		
CAD FILENAME: OUTDDOR1LINE							DRAWING NUMBER: IES-S&WB-EMD	SHEET: 2 of 3	REV.: 0

EXISTING GE MAGNABLAST SWITCHGEAR



REV.	DATE	BY	REVISIONS	CK.	APP.	 INDUSTRIAL ELECTRICAL SERVICES, INC.	DATE: 2/12/20	SCALE: no.	DESIGNED: EJR	DRAWN: EJR	CHECKED: EJR	APPROVED: EJR	CAD FILENAME: OUTDOR1LINE	DRAWING NUMBER: IES-S&WB-EX.	SHEET: 3	REV: 0

TITLE: CARROLTON PLANT OUTDOOR SWITCHGEAR ONE LINE DIAGRAM
 SEWERAGE & WATER BOARD NEW ORLEANS, LA
 DATE: 2/12/20
 SCALE: no.
 DESIGNED: EJR
 DRAWN: EJR
 CHECKED: EJR
 APPROVED: EJR
 CAD FILENAME: OUTDOR1LINE
 DRAWING NUMBER: IES-S&WB-EX.
 SHEET: 3 OF 3
 REV: 0

Attachment 10.g

Attachment – Switchgear Foundation Rev FINAL 121923.pdf

DEMOLITION LEGEND

- ① **ANGLE:** REMOVE EXISTING ANGLES FLUSH WITH NATURAL GRADE
- ② **CONCRETE OR METAL STUB-UPS:** REMOVE FLUSH WITH NATURAL GRADE
- ③ **WATER LINES:** STOP FLOW BEYOND CONSTRUCTION LIMITS, CUT AND PLUG AT NATURAL GRADE.
- ④ **CONCRETE COLUMNS:** DEMOLISH FLUSH WITH THE TOPS OF EXISTING DEADMEN.

EXISTING ELECTRIC MANHOLE

REMOVE EXISTING VALVE, CUT AND CAP WATER LINE BEYOND LIMITS OF CONSTRUCTION. EXISTING VALVES HAVE BEEN CLOSED, BUT ARE NOT HOLDING PRESSURE. COORDINATE CUTTING AND CAPPING ACTIVITIES WITH S&WB FACILITY MAINTENANCE PERSONNEL.

EXISTING SWITCHGEAR TO BE BROUGHT TO ELECTRICAL SHOP AT CWTP FOR SALVAGE



SWITCHGEAR PLATFORM DRAWING INDEX	
SHEET No.	TITLE
S-1	EXISTING SITE PLAN AND MISCELLANEOUS ELEMENTS - DEMOLITION PLAN
S-2	CONCRETE - DEMOLITION PLAN
S-3	NEW CONSTRUCTION PLAN
S-4	NEW SWITCHGEAR FOUNDATION
S-5	NEW VAULT CONSTRUCTION DETAILS
S-6	NOTES AND RAIL DETAILS

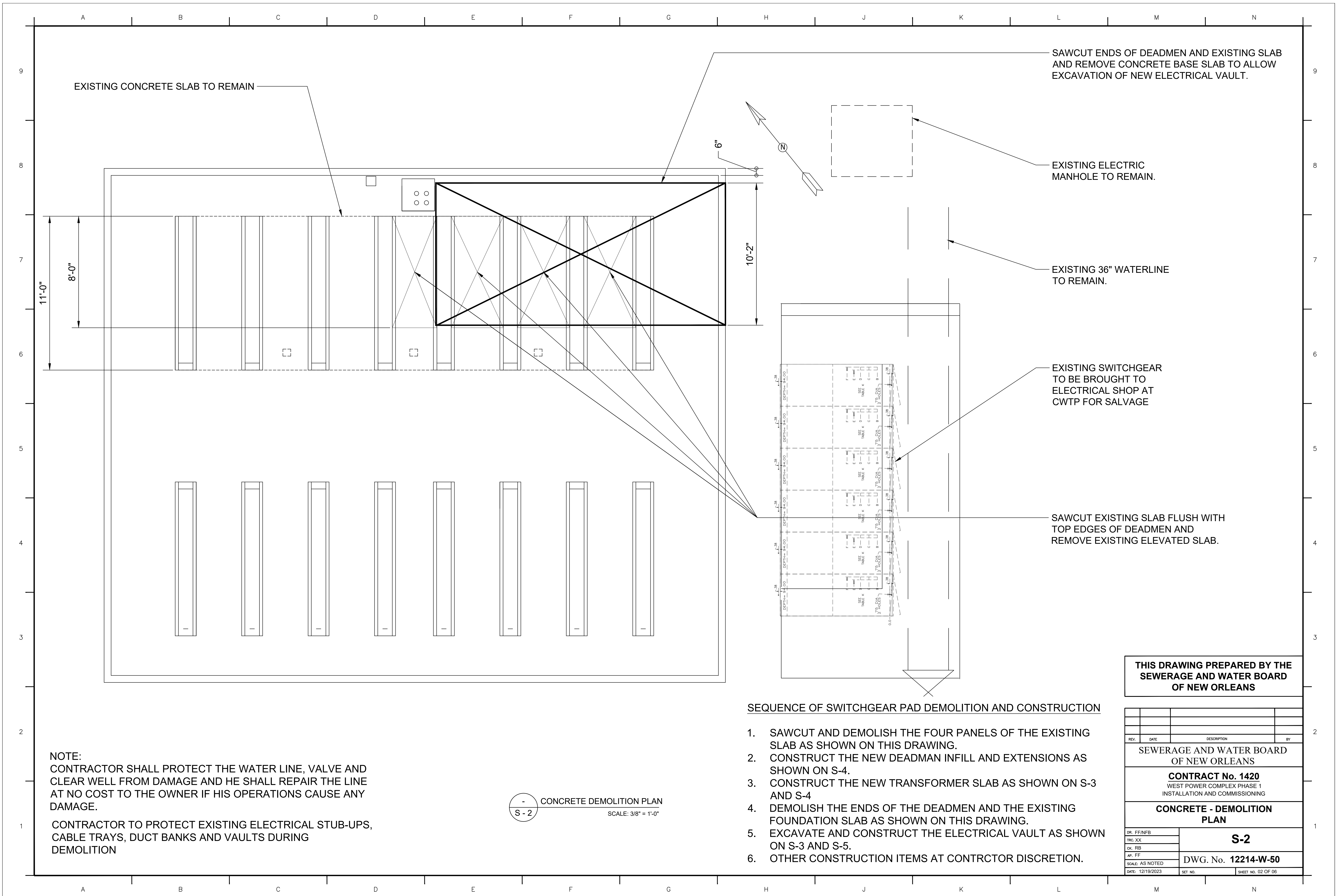
GENERAL NOTES

1. CONTRACTOR SHALL PROTECT THE 36" WATER LINE, VALVE AND CLEAR WELL FROM DAMAGE AND HE SHALL REPAIR THE LINE AT NO COST TO THE OWNER IF HIS OPERATIONS CAUSE ANY DAMAGE. APPROXIMATE WATERLINE LOCATION IS SHOWN ON S-2 AND S-3.
2. CONTRACTOR TO PROTECT EXISTING ELECTRICAL STUB-UPS, CABLE TRAYS, DUCT BANKS AND VAULTS DURING DEMOLITION
3. NOTES AND CONTRACTUAL REQUIREMENTS DEPICTED ON OTHER DRAWINGS AND SPECIFICATIONS OF CONTRACT 1420 SHALL APPLY TO THE WORK DEPICTED ON THESE DRAWINGS. NOTIFY THE ENGINEER AND OWNER OF CONFLICTS BETWEEN THE REQUIREMENTS OF THESE DRAWINGS WITH OTHER ELEMENTS OF CONTRACT 1420 FOR RESOLUTION PRIOR TO ORDERING MATERIALS OR PROCEEDING WITH THE WORK DEPICTED HEREIN.
4. CONTRACTOR SHALL EXPECT ONGOING WORK BY OTHERS ON OTHER ONGOING PROJECTS IN THE VICINITY OF THIS WORK. LAYDOWN AREAS SHALL BE SHARED WITH OTHER CONTRACTORS.

THIS DRAWING PREPARED BY THE SEWERAGE AND WATER BOARD OF NEW ORLEANS

REV.	DATE	DESCRIPTION	BY
SEWERAGE AND WATER BOARD OF NEW ORLEANS			
CONTRACT No. 1420 WEST POWER COMPLEX PHASE 1 INSTALLATION AND COMMISSIONING			
EXISTING SITE PLAN AND MISC. ELEMENTS - DEMOLITION PLAN			
DR. RB/TH/NFB	S-1		
TRC. XX			
CHK. RB			
AP. FF			
SCALE: AS NOTED	DWG. No. 12214-W-50		
DATE: 12/19/2023	SET NO.	SHEET NO. 01 OF 06	

-
S-1
EXISTING SITE PLAN AND MISCELLANEOUS ELEMENTS - DEMOLITION PLAN
SCALE: NOT TO SCALE



SAWCUT ENDS OF DEADMEN AND EXISTING SLAB AND REMOVE CONCRETE BASE SLAB TO ALLOW EXCAVATION OF NEW ELECTRICAL VAULT.

EXISTING ELECTRIC MANHOLE TO REMAIN.

EXISTING 36" WATERLINE TO REMAIN.

EXISTING SWITCHGEAR TO BE BROUGHT TO ELECTRICAL SHOP AT CWTP FOR SALVAGE

SAWCUT EXISTING SLAB FLUSH WITH TOP EDGES OF DEADMEN AND REMOVE EXISTING ELEVATED SLAB.

SEQUENCE OF SWITCHGEAR PAD DEMOLITION AND CONSTRUCTION

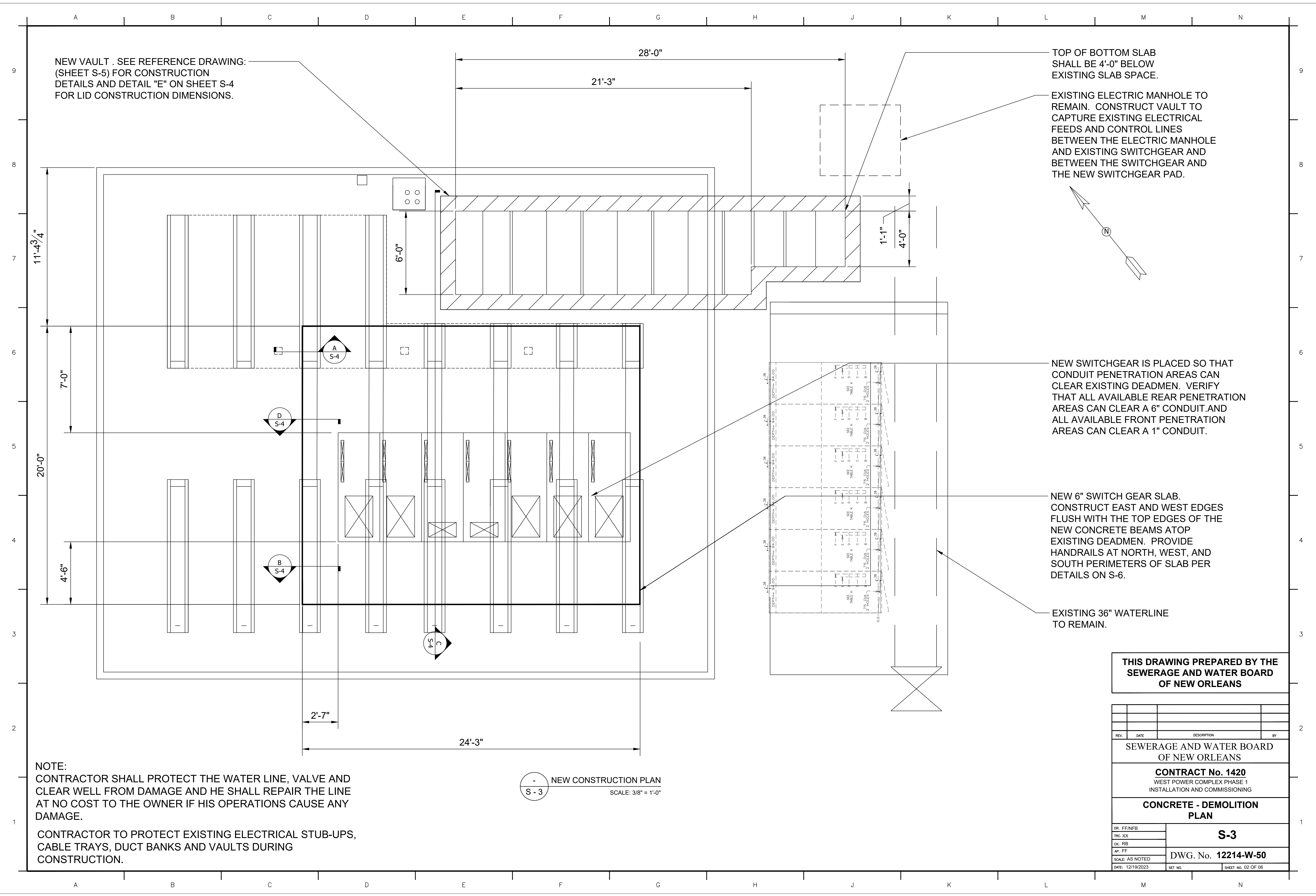
1. SAWCUT AND DEMOLISH THE FOUR PANELS OF THE EXISTING SLAB AS SHOWN ON THIS DRAWING.
2. CONSTRUCT THE NEW DEADMAN INFILL AND EXTENSIONS AS SHOWN ON S-4.
3. CONSTRUCT THE NEW TRANSFORMER SLAB AS SHOWN ON S-3 AND S-4
4. DEMOLISH THE ENDS OF THE DEADMEN AND THE EXISTING FOUNDATION SLAB AS SHOWN ON THIS DRAWING.
5. EXCAVATE AND CONSTRUCT THE ELECTRICAL VAULT AS SHOWN ON S-3 AND S-5.
6. OTHER CONSTRUCTION ITEMS AT CONTRCTOR DISCRETION.

NOTE:
 CONTRACTOR SHALL PROTECT THE WATER LINE, VALVE AND CLEAR WELL FROM DAMAGE AND HE SHALL REPAIR THE LINE AT NO COST TO THE OWNER IF HIS OPERATIONS CAUSE ANY DAMAGE.
 CONTRACTOR TO PROTECT EXISTING ELECTRICAL STUB-UPS, CABLE TRAYS, DUCT BANKS AND VAULTS DURING DEMOLITION

CONCRETE DEMOLITION PLAN
 S-2
 SCALE: 3/8" = 1'-0"

THIS DRAWING PREPARED BY THE SEWERAGE AND WATER BOARD OF NEW ORLEANS

REV.	DATE	DESCRIPTION	BY
SEWERAGE AND WATER BOARD OF NEW ORLEANS			
CONTRACT No. 1420 WEST POWER COMPLEX PHASE 1 INSTALLATION AND COMMISSIONING			
CONCRETE - DEMOLITION PLAN			
DR. FF/NFB	S-2 DWG. No. 12214-W-50		
TRC. XX			
CK. RB			
AP. FF			
SCALE: AS NOTED	SET NO.	SHEET NO. 02 OF 06	
DATE: 12/19/2023			



NEW VAULT . SEE REFERENCE DRAWING:
(SHEET S-5) FOR CONSTRUCTION
DETAILS AND DETAIL "E" ON SHEET S-4
FOR LID CONSTRUCTION DIMENSIONS.

TOP OF BOTTOM SLAB
SHALL BE 4'-0" BELOW
EXISTING SLAB SPACE.

EXISTING ELECTRIC MANHOLE TO
REMAIN. CONSTRUCT VAULT TO
CAPTURE EXISTING ELECTRICAL
FEEDS AND CONTROL LINES
BETWEEN THE ELECTRIC MANHOLE
AND EXISTING SWITCHGEAR AND
BETWEEN THE SWITCHGEAR AND
THE NEW SWITCHGEAR PAD.

NEW SWITCHGEAR IS PLACED SO THAT
CONDUIT PENETRATION AREAS CAN
CLEAR EXISTING DEADMEN. VERIFY
THAT ALL AVAILABLE REAR PENETRATION
AREAS CAN CLEAR A 6" CONDUIT AND
ALL AVAILABLE FRONT PENETRATION
AREAS CAN CLEAR A 1" CONDUIT.

NEW 6" SWITCH GEAR SLAB.
CONSTRUCT EAST AND WEST EDGES
FLUSH WITH THE TOP EDGES OF THE
NEW CONCRETE BEAMS ATOP
EXISTING DEADMEN. PROVIDE
HANDRAILS AT NORTH, WEST, AND
SOUTH PERIMETERS OF SLAB PER
DETAILS ON S-6.

EXISTING 36" WATERLINE
TO REMAIN.

NOTE:
CONTRACTOR SHALL PROTECT THE WATER LINE, VALVE AND
CLEAR WELL FROM DAMAGE AND HE SHALL REPAIR THE LINE
AT NO COST TO THE OWNER IF HIS OPERATIONS CAUSE ANY
DAMAGE.

CONTRACTOR TO PROTECT EXISTING ELECTRICAL STUB-UPS,
CABLE TRAYS, DUCT BANKS AND VAULTS DURING
CONSTRUCTION.

NEW CONSTRUCTION PLAN
S - 3
SCALE: 3/8" = 1'-0"

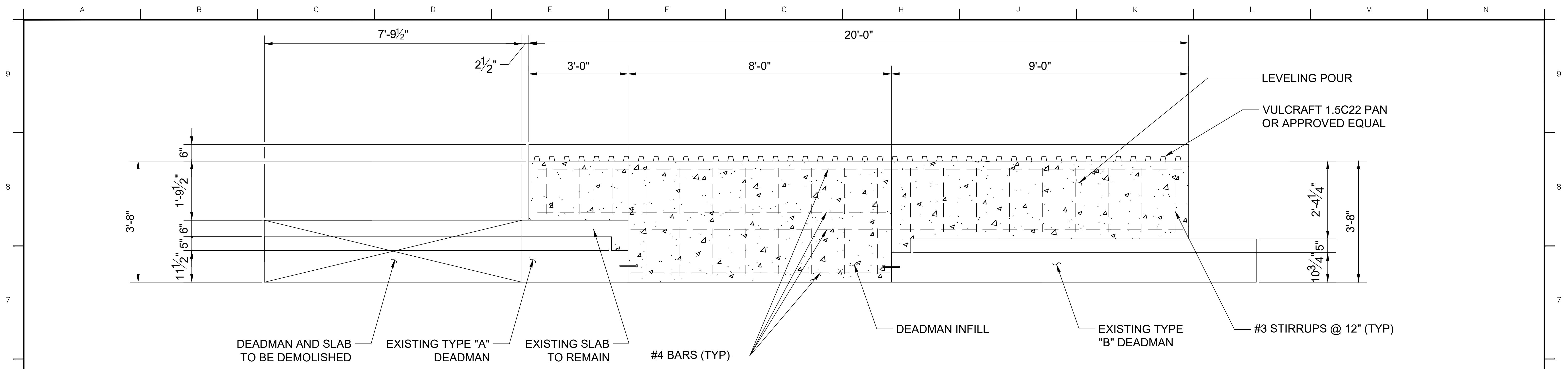
THIS DRAWING PREPARED BY THE
SEWERAGE AND WATER BOARD
OF NEW ORLEANS

REV.	DATE	DESCRIPTION	BY

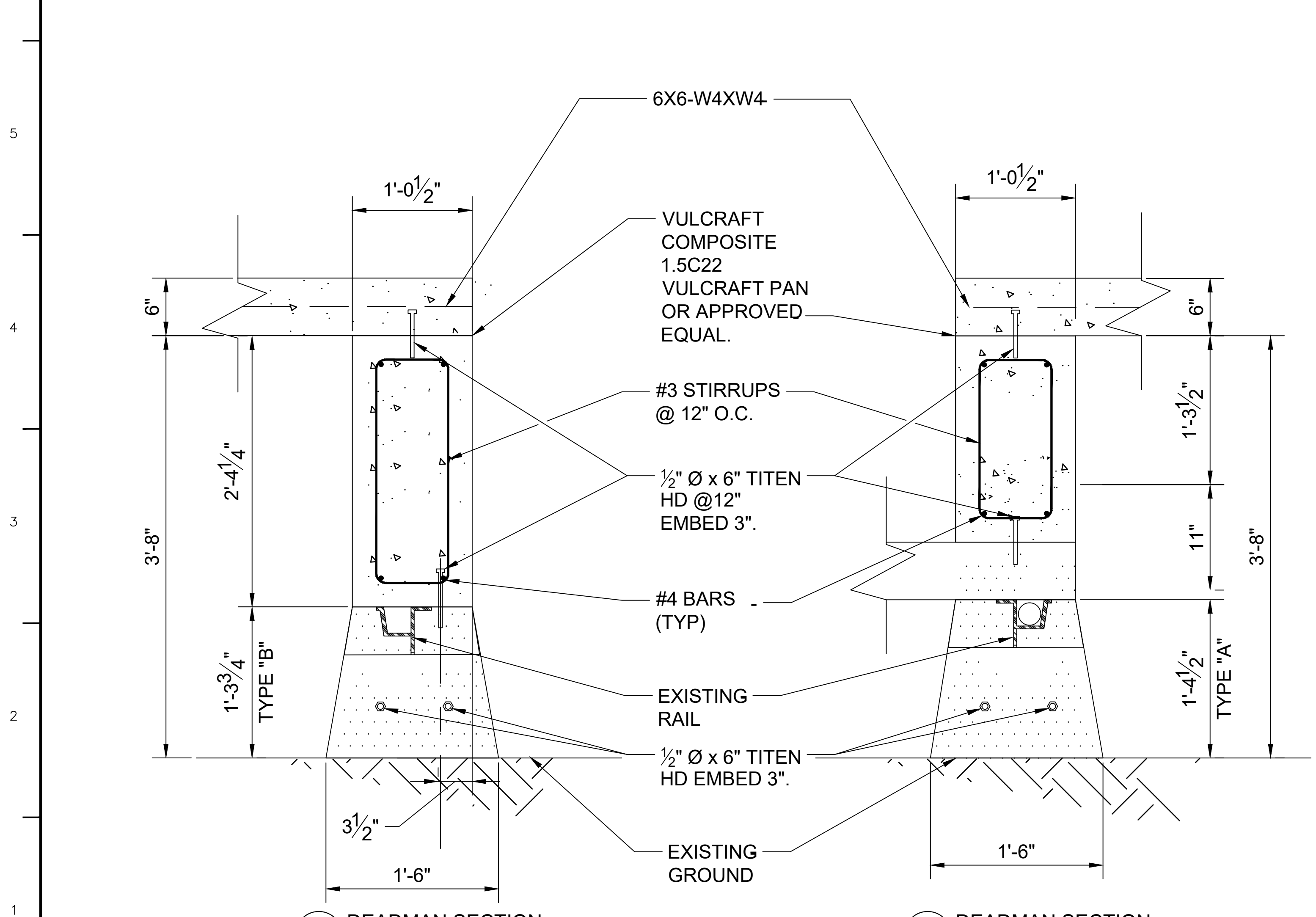
SEWERAGE AND WATER BOARD
OF NEW ORLEANS
CONTRACT No. 1420
WEST POWER COMPLEX PHASE 1
INSTALLATION AND COMMISSIONING

**CONCRETE - DEMOLITION
PLAN**

DR. FF/NFB	S-3
TRC. XX	
CHK. RB	
APP. FF	
SCALE: AS NOTED	DWG. No. 12214-W-50
DATE: 12/19/2023	SHEET NO. 02 OF 06

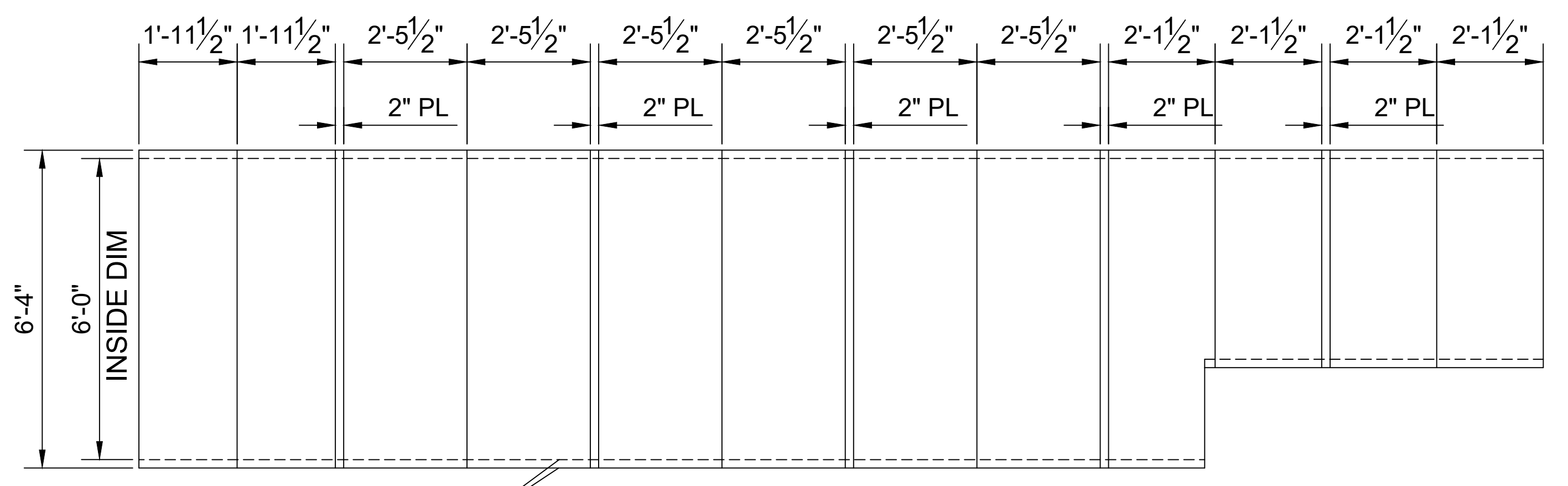


(C) LONGITUDINAL DEADMAN SECTION
SCALE: 3/8" = 1'-0"

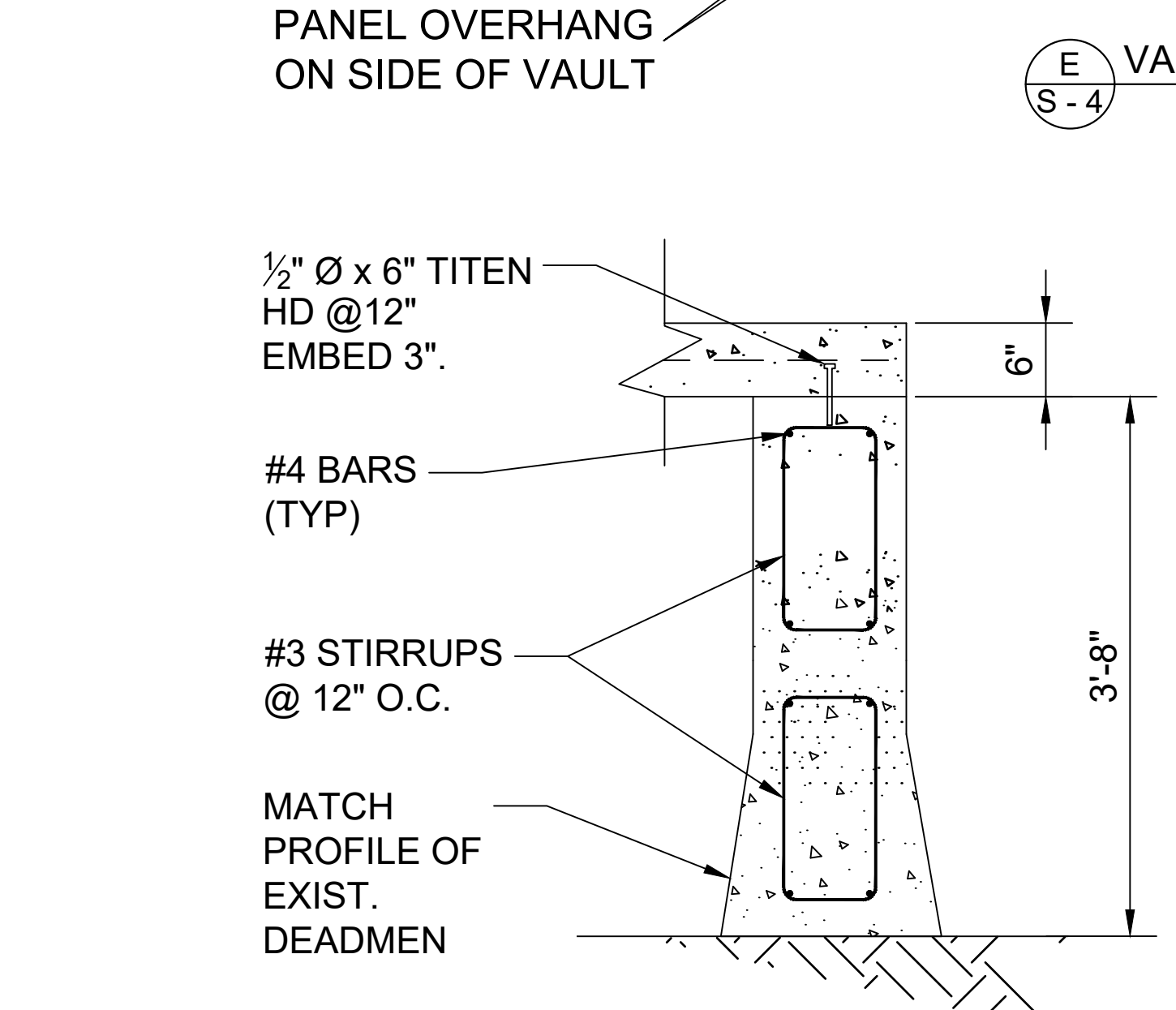


(B) DEADMAN SECTION
SCALE: 1 1/2" = 1'-0"

(A) DEADMAN SECTION
SCALE: 1 1/2" = 1'-0"



(E) VAULT TOP DETAIL
SCALE: 1/2" = 1'-0"



(D) DEADMAN INFILL SECTION
SCALE: 1" = 1'-0"

**THIS DRAWING PREPARED BY THE
SEWERAGE AND WATER BOARD
OF NEW ORLEANS**

REV.	DATE	DESCRIPTION	BY

SEWERAGE AND WATER BOARD
OF NEW ORLEANS

CONTRACT No. 1420
WEST POWER COMPLEX PHASE 1
INSTALLATION AND COMMISSIONING

**PROPOSED SWITCHGEAR
FOUNDATION**

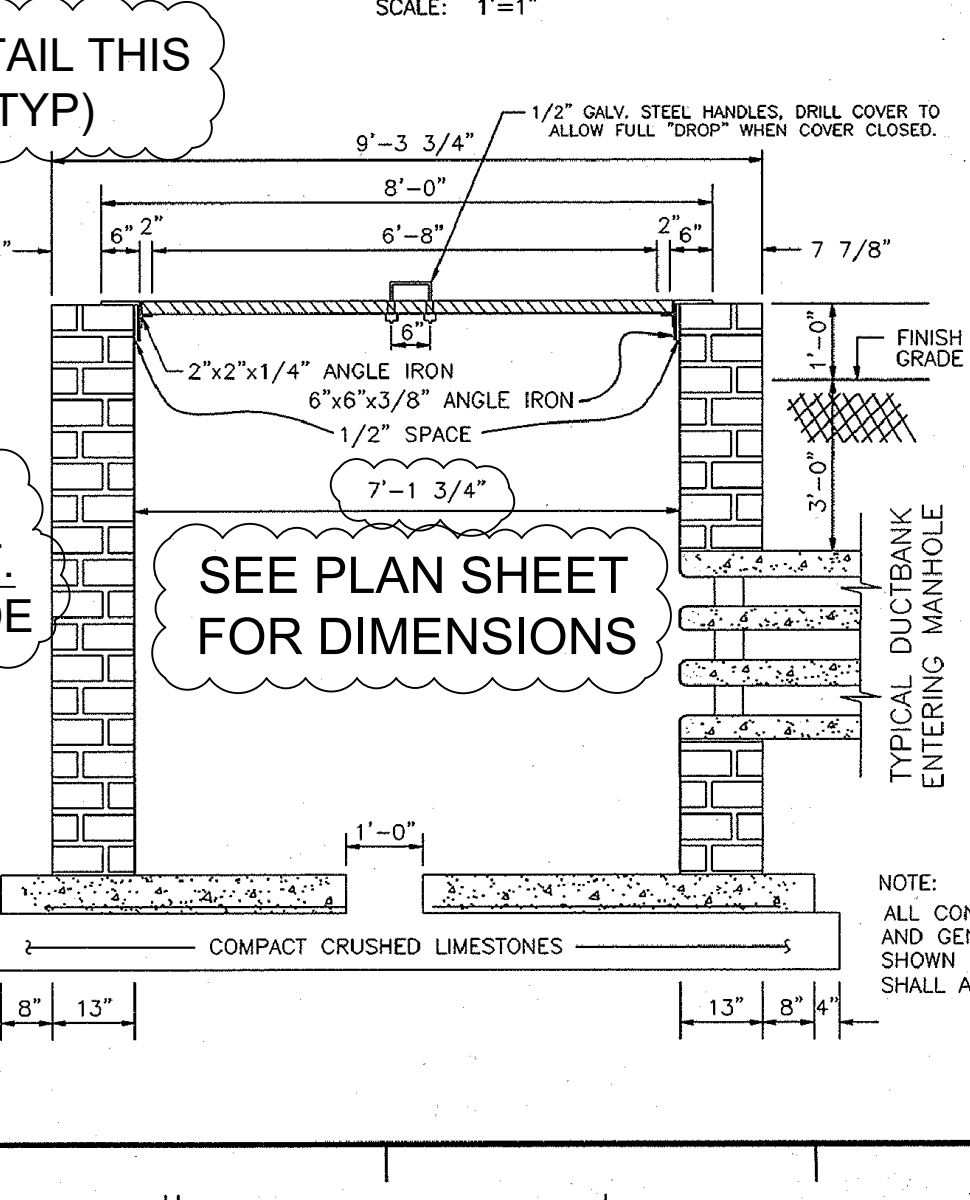
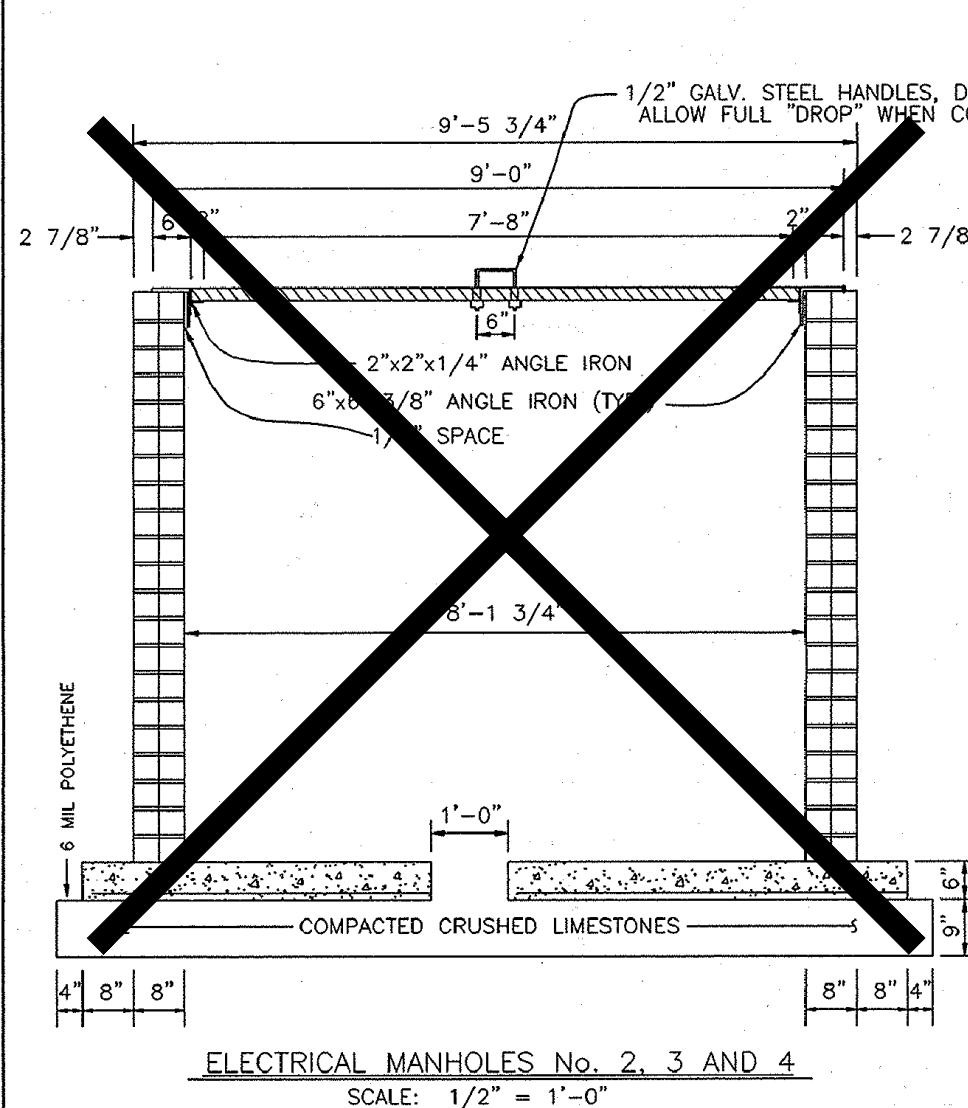
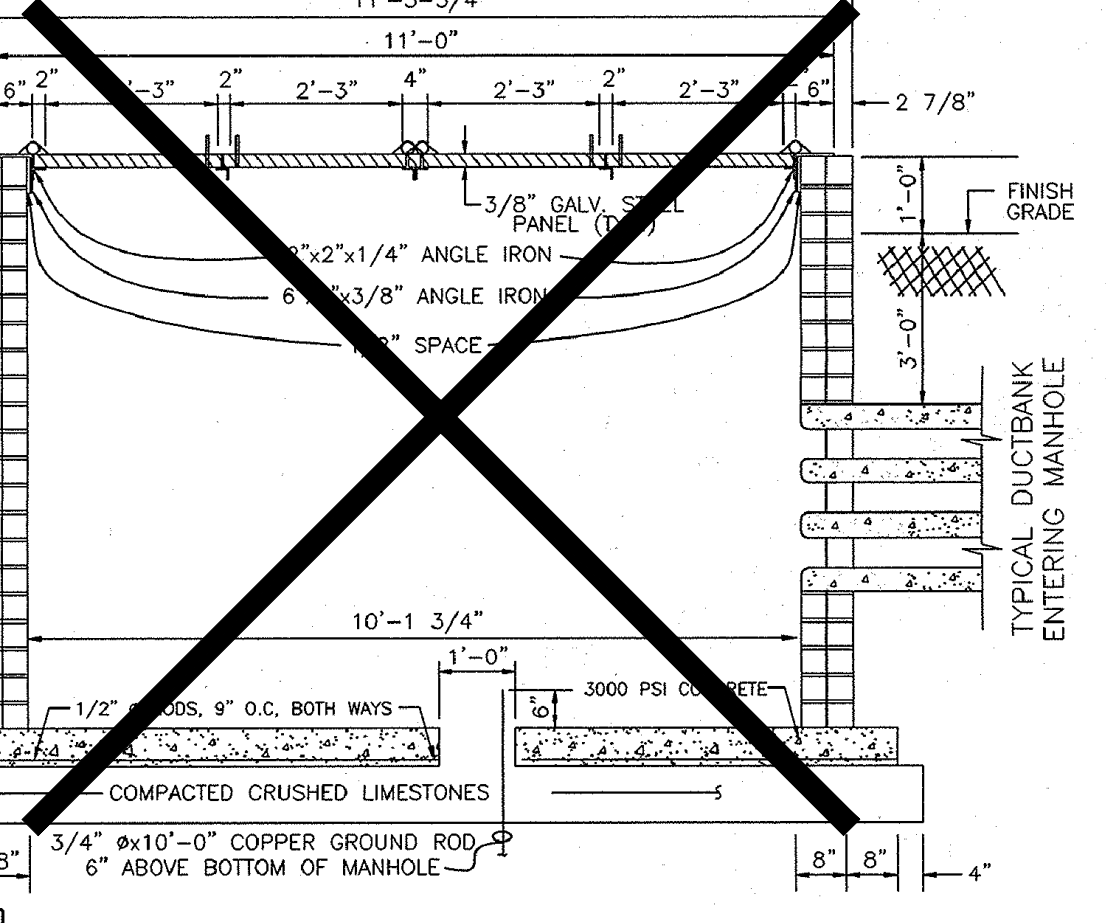
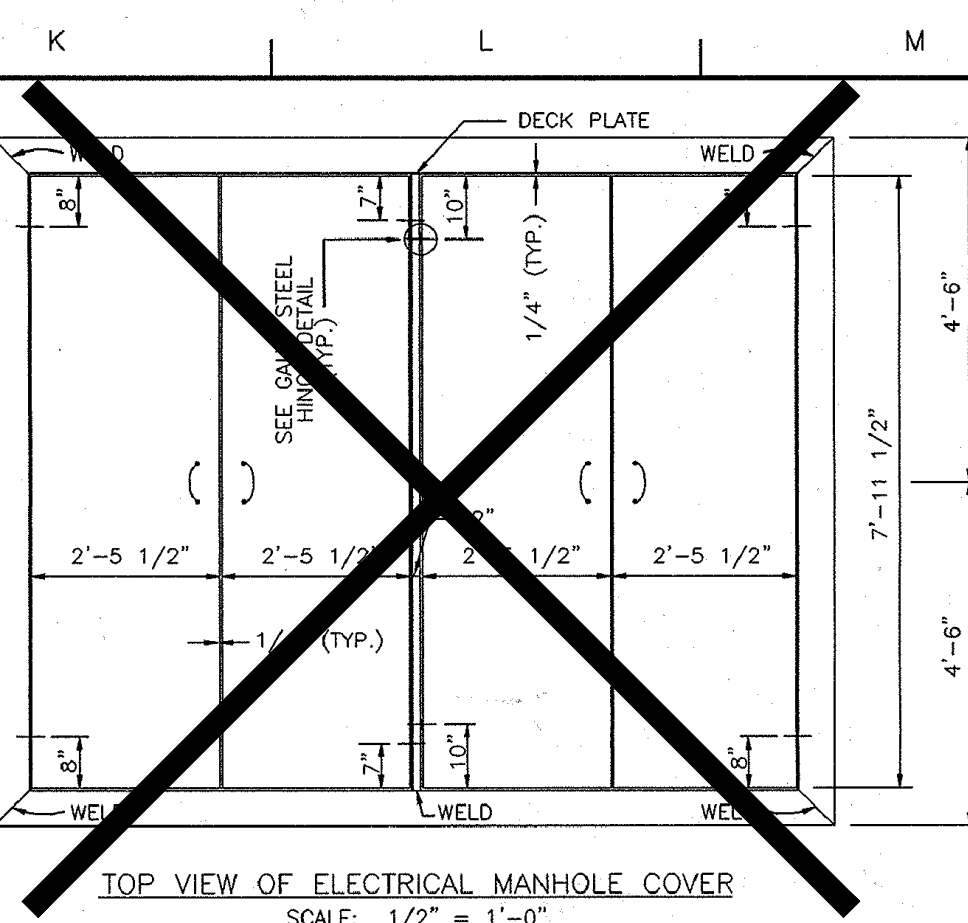
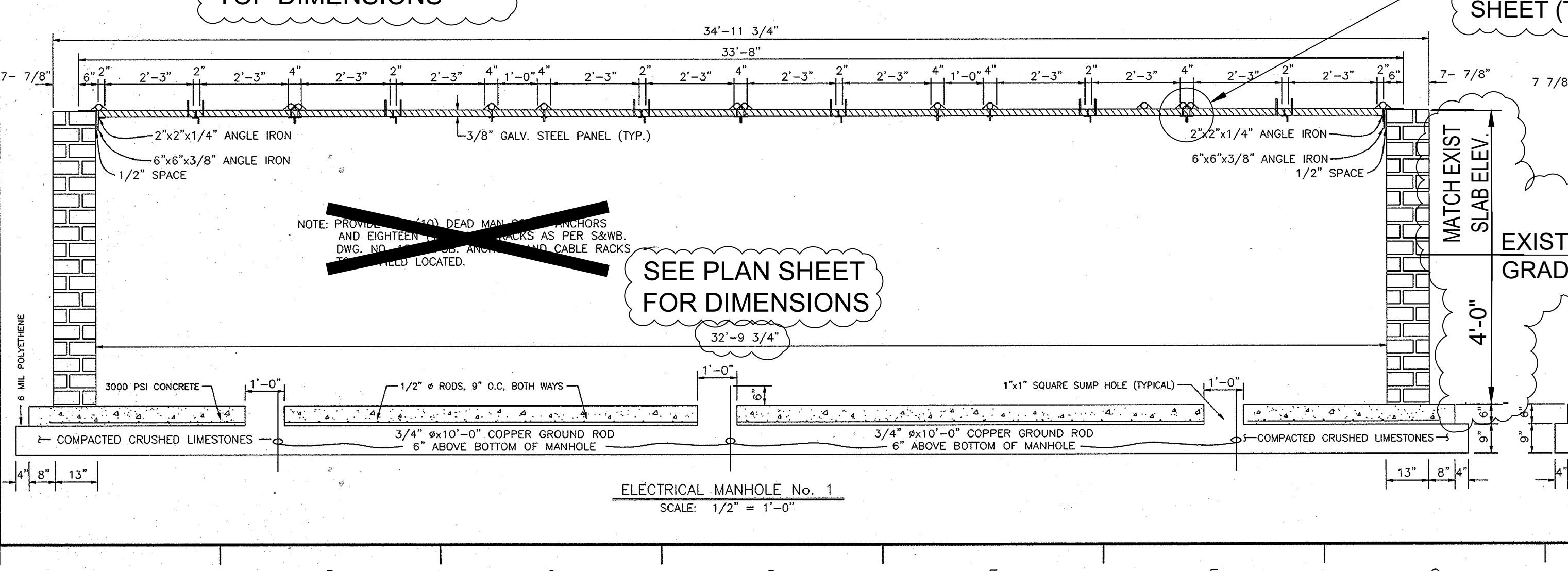
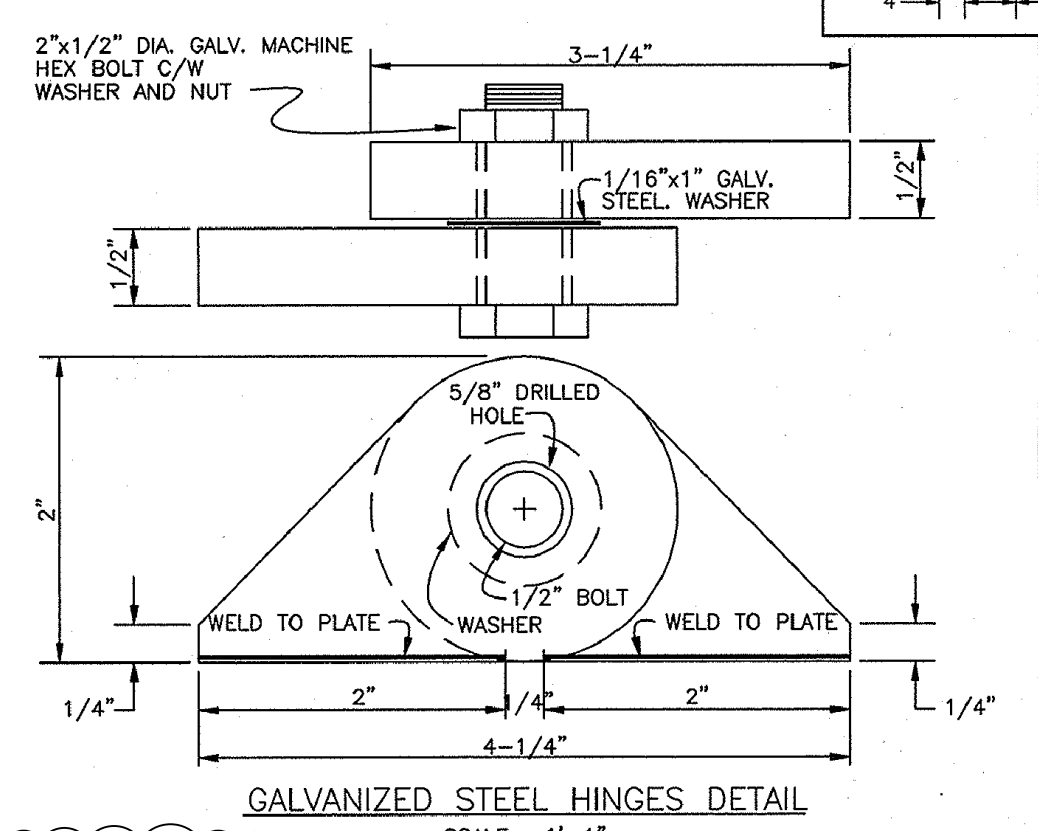
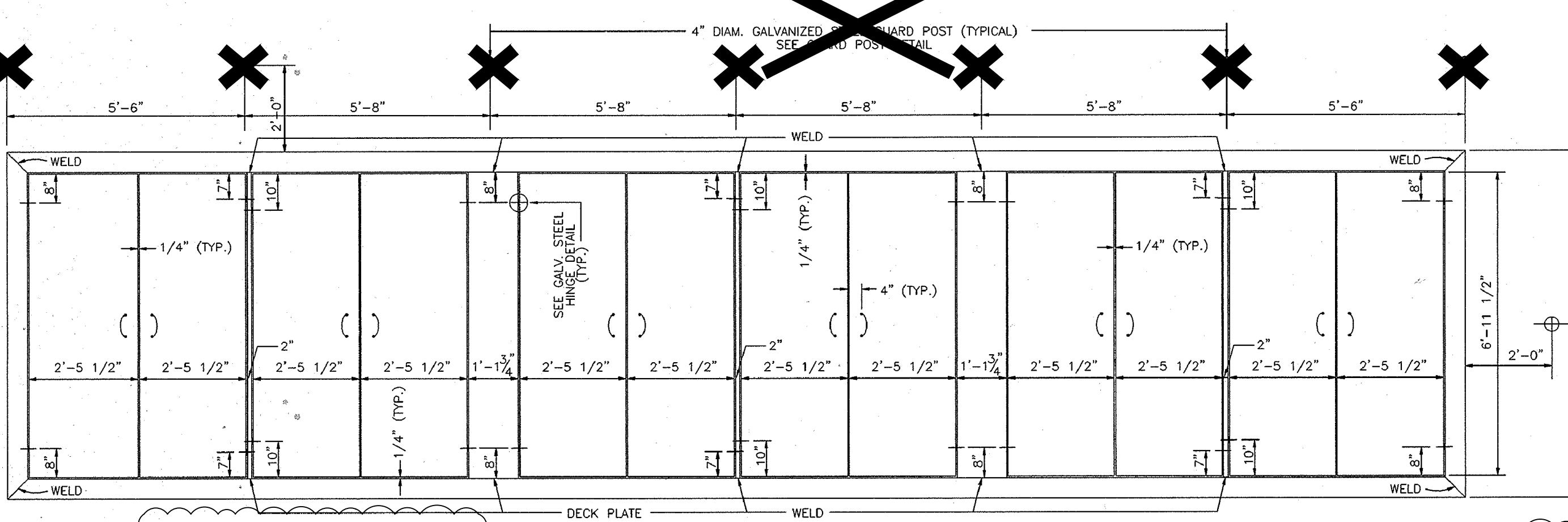
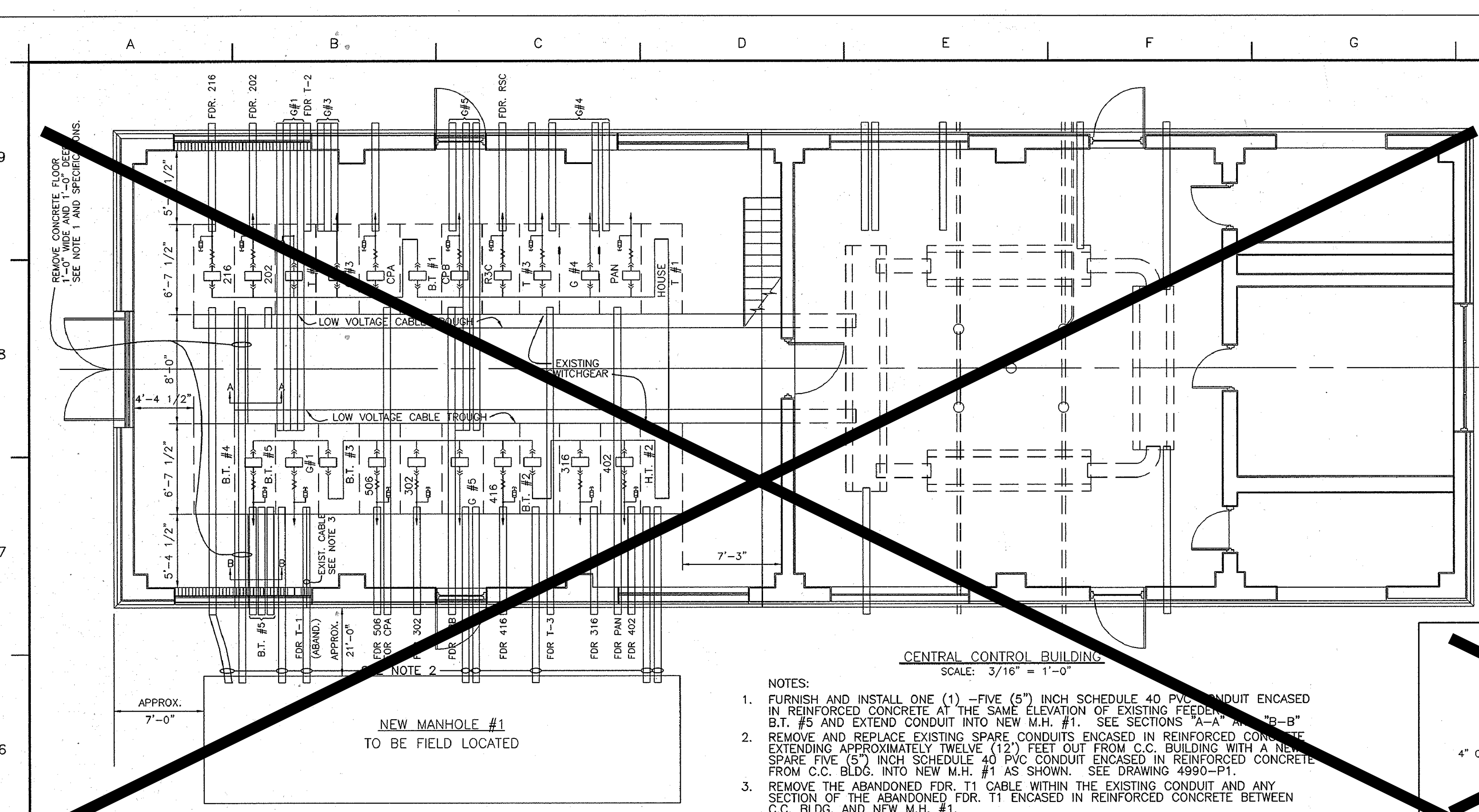
DR. NFB
TRC. XX
CHK. FF
AP. RB
SCALE: AS NOTED
DATE: 12/19/2023

S-4

DWG. No. **12214-W-50**

SET NO. SHEET NO. 04 OF 06

- NOTES:**
- FURNISH AND INSTALL ONE (1) FIVE (5") INCH SCHEDULE 40 PVC CONDUIT ENCASED IN REINFORCED CONCRETE AT THE SAME ELEVATION OF EXISTING FEEDER B.T. #5 AND EXTEND CONDUIT INTO NEW M.H. #1. SEE SECTIONS "A-A" AND "B-B"
 - REMOVE AND REPLACE EXISTING SPARE CONDUITS ENCASED IN REINFORCED CONCRETE EXTENDING APPROXIMATELY TWELVE (12) FEET OUT FROM C.C. BUILDING WITH A NEW SPARE FIVE (5") INCH SCHEDULE 40 PVC CONDUIT ENCASED IN REINFORCED CONCRETE FROM C.C. BLDG. INTO NEW M.H. #1 AS SHOWN. SEE DRAWING 4990-P1.
 - REMOVE THE ABANDONED FDR. T1 CABLE WITHIN THE EXISTING CONDUIT AND ANY SECTION OF THE ABANDONED FDR. T1 ENCASED IN REINFORCED CONCRETE BETWEEN C.C. BLDG. AND NEW M.H. #1.



HINGE FOR OTHER LID NOT SHOWN FOR CLARITY

BACK OF L6x6x3/8" GALV LID FRAME ANGLE

HINGE SUPPORT PLATE WELDED TO WT6

LID

GALV WT6x17.5

TWO GALV L4x4x3/8" CLIP ANGLES WELDED TO LID FRAME ANGLE AND SUPPORTING WT WITH (2) 3/4" Ø GALV A325 BOLTS

A HINGE ANCHOR PLATE SUPPORT
S-5
SCALE: NOT TO SCALE

REV. DATE DESCRIPTION

SEWERAGE AND WATER OF NEW ORLEANS
CONTRACT 6228
CONSTRUCTION OF NEW UNDER DUCTBANKS FOR CARROLLT POWER PLANT.

CABLE VAULTS DETAIL SHE

DR. THIYUAN NGUYEN
LAST EDIT NOV. 14, 2003
CK. C.T. PAULY
SCALE AS SHOWN
DATE JAN. 10, 2002

DWG. No. 4990

DATE JAN. 10, 2002 SET NO. SHEET NO.

THIS DRAWING PREPARED BY THE SEWERAGE AND WATER BOARD OF NEW ORLEANS

REV.	DATE	DESCRIPTION	BY

SEWERAGE AND WATER BOARD OF NEW ORLEANS
CONTRACT No. 1420
WEST POWER COMPLEX PHASE 1
INSTALLATION AND COMMISSIONING

NEW VAULT CONSTRUCTION DETAILS

S-5
DWG. No. 12214-W-50

DATE: 12/19/2023 SET NO. SHEET NO. 05 OF 06

GENERAL NOTES:

1. PRIOR TO CONSTRUCTION, CONTRACTOR SHALL VERIFY LOCATION OF ALL UTILITIES.
2. PRIOR TO CONSTRUCTION CONTRACTOR SHALL COORDINATE WITH THE ELECTRICAL AND CIVIL ENGINEERING DEPARTMENTS, PLANT OPERATIONS, AND FACILITY MAINTENANCE.
3. CONTRACTOR SHALL VERIFY ALL DIMENSIONS AND CONDITIONS DEPICTED IN THE PLANS PRIOR TO ORDERING ANY MATERIALS AND PRIOR TO COMMENCING CONSTRUCTION. THE CONTRACTOR SHALL NOTIFY THE ENGINEER AND OWNER IMMEDIATELY OF ANY DISCREPANCIES PRIOR TO PROCEEDING WITH WORK.
4. ALL CONSTRUCTION MATERIALS AND WORKMANSHIP SHALL CONFORM TO THE 2018 INTERNATIONAL BUILDING CODE (IBC).
5. ALL STRUCTURAL RELATED SHOP DRAWINGS SHALL BE REVIEWED BY THE ENGINEER PRIOR TO CONSTRUCTION.
6. CONTRACTOR SHALL HAVE THE CIVIL ENGINEERING DEPARTMENT REVIEW FORMWORK AND REINFORCEMENT PRIOR TO POURING CONCRETE.
7. CONTRACTOR SHALL HAVE THE OWNERS ELECTRICAL ENGINEERING DEPARTMENT REVIEW ALL CONDUIT AND PENETRATIONS PRIOR TO POURING.

CAST-IN-PLACE CONCRETE

1. CONCRETE SHALL CONFORM TO THE APPLICABLE PROVISIONS OF CHAPTER 19 OF THE INTERNATIONAL BUILDING CODE-2018 EDITION.
2. CONCRETE -

CONCRETE SHALL BE READY-MIXED AND SHALL CONFORM TO ASTM C94. THE MAXIMUM-CEMENT RATIO FOR STRUCTURAL CONCRETE SHALL BE PER ACI 318 CHAPTER 4. MAXIMUM AGGREGATE SIZE - 1 1/2 INCHES SLUMP - 4 INCHES PLUS OR MINUS 1 INCH 28 DAY COMPRESSIVE STRENGTH - 3,000 P.S.I. CEMENT - PORTLAND CEMENT CONFORMING TO ACI 318 SEC 3.3 AGGREGATES - SHALL CONFORM TO THE IBC-LATEST ADOPTED EDITION. ADMIXTURES - WILL NOT BE PERMITTED UNLESS APPROVED BY THE ENGINEER. FILL -610 LIMESTONE COMPACTED TO 95% VAPOR BARRIER- A 6 MIL VISQUEEN BARRIER SHALL BE PROVIDED BETWEEN THE LIMESTONE AND CONCRETE AND EARTH.
3. REINFORCING -

REINFORCING BARS SHALL BE DEFORMED BARS CONFORMING TO ASTM A615 GRADE 60 WITH BAR MARKS LEGIBLY ROLLED INTO THE SURFACE INDICATING THE SIZE, TYPE OF STEEL AND YIELD STRENGTH. ALL WELDED REINFORCING BARS SHALL MEET THE REQUIREMENTS OF ASTM A706. CONCRETE COVERAGE TO

FACE OF REINFORCING BARS, UNLESS OTHERWISE NOTED ON PLANS, SHALL BE -3 INCHES WHERE CONCRETE IS CAST AGAINST AND PERMANENTLY EXPOSED TO EARTH. -1 1/2 INCHES FOR # 5 OR SMALLER BARS WHERE CONCRETE IS EXPOSED TO EARTH OR WEATHER AFTER THE REMOVAL OF FORMS.

4. FORMS-

FORMS SHALL CONFORM TO THE SHAPE, LINES AND DIMENSIONS SHOWN ON THE PLANS AND SHALL BE SUFFICIENTLY TIGHT TO PREVENT LEAKAGE OF MORTAR ABOVE FINISHED GRADE. FORMS SHALL BE SECURELY BRACED AND HELD IN PLACE. CONCRETE FOOTINGS BELOW THE FINISHED GRADE MAY BE FORMED. FORMS (AND SOIL THAT CONCRETE WILL BE PLACED AGAINST) SHALL BE WETTED DOWN JUST PRIOR TO PLACING CONCRETE. ALL FORMS SHALL BE REMOVED AFTER THE CONCRETE HAS SET. PROVIDE POUR STOPS AT THE PERIMETER OF ALL PAN FORMS. ALL SLABS SHALL HAVE 3/4" CHAMFER AT TOP/SIDE

5. WORKMANSHIP-

REINFORCING - REINFORCING BARS SHALL BE ACCURATELY PLACED AND SECURED AND SHALL BE SUPPORTED BY CHAIRS, SPACERS OR HANGERS. ALL BAR SPLICES SHALL BE LAPPED A MINIMUM OF 40 BAR DIAMETERS UNLESS OTHERWISE SHOWN. STAGGER SPLICES WHEN POSSIBLE. REINFORCING SHALL BE FREE OF ALL LOOSE RUST OR SCALE. PLACING - THE CONCRETE SHALL BE PLACED IN A MANNER SO AS TO PREVENT SEPARATION OF THE AGGREGATE AND SHALL BE WELL CONSOLIDATED TO PREVENT THE FORMING OF VOIDS. SLUMP - SLUMP TESTS ARE TO CONFORM TO ASTM C143-78. FINISHING - THE TOP OF THE FLOOR SLAB SHALL BE GIVEN A LIGHT BROOM FINISH. FORMED SURFACES SHALL BE GIVEN A SACK FINISH. ALL VOIDS AND HOLES SHALL BE REPAIRED PRIOR TO FINISHING. CURING - CONCRETE MUST BE WET CURED CONTINUOUSLY AND UNINTERRUPTED FOR A MINIMUM OF 7 DAYS SUBSEQUENT TO INITIAL SETUP. BEFORE BEING LOADED WITH BUILDING LOADS (EQUIPMENT, MAT'L., ETC...). CONTRACTOR IS RESPONSIBLE TO ENSURE THAT CONCRETE IS SUFFICIENTLY CURED BEFORE SERVICE LOADS ARE APPLIED TO CONCRETE. AS AN ALTERNATIVE TO WET CURING, CONTRACTOR MAY EMPLOY A LIQUID CURING AGENT THAT WILL PREVENT WATER FROM EVAPORATING FROM THE FRESH CONCRETE PRIOR TO HYDRATION.

HANDRAIL DESCRIPTION

1. THIS WORK CONSISTS OF FURNISHING AND INSTALLING NEW HANDRAILS AT THE PERIMETER OF THE SWITCHGEAR SLAB AT LOCATIONS SHOWN.

2. HANDRAIL MATERIALS

MATERIALS SHALL BE NEW 1 1/2" DIAMETER TUBE AND FITTINGS, NU-RAIL OR APPROVED EQUAL. CONDITION OF SALVAGED MATERIALS INCORPORATED INTO THE WORK SHALL BE SUBJECT TO INSPECTION AND APPROVAL BY THE ENGINEER. REMOVABLE HANDRAIL AND ANCHORAGE SHALL BE ALUMINUM, 42" HIGH (ABOVE WALKING SURFACE) WITH MIDRAIL, AND SHALL MEET CURRENT OSHA STANDARDS. HANDRAIL SHALL BE WELDED 1 1/2" ALUMINUM TUBE. RAILINGS AND HARDWARE IN CONTACT SHALL BE OF LIKE MATERIALS. SUBMIT SHOP DRAWINGS OF HANDRAIL PRIOR TO ORDERING MATERIALS.

3. HANDRAIL CONSTRUCTION REQUIREMENTS

ANCHORING. ALL BASE FLANGES SHALL BE ANCHORED IN ACCORDANCE WITH MANUFACTURER INSTRUCTIONS. ANCHORAGES SHALL BE FIELD-DRILLED WITH RAILING IN PLACE ON THE STRUCTURE AT PROPER GRADE AND ALIGNMENT. ADJUST RAILING AND CORRECT ALIGNMENT AND CAMBER THROUGHOUT THE RAILING LENGTH PRIOR TO FINALIZING CONNECTIONS. USE 1/2" X 3.75" TITEN HD 304 STAINLESS STEEL ANCHORS.

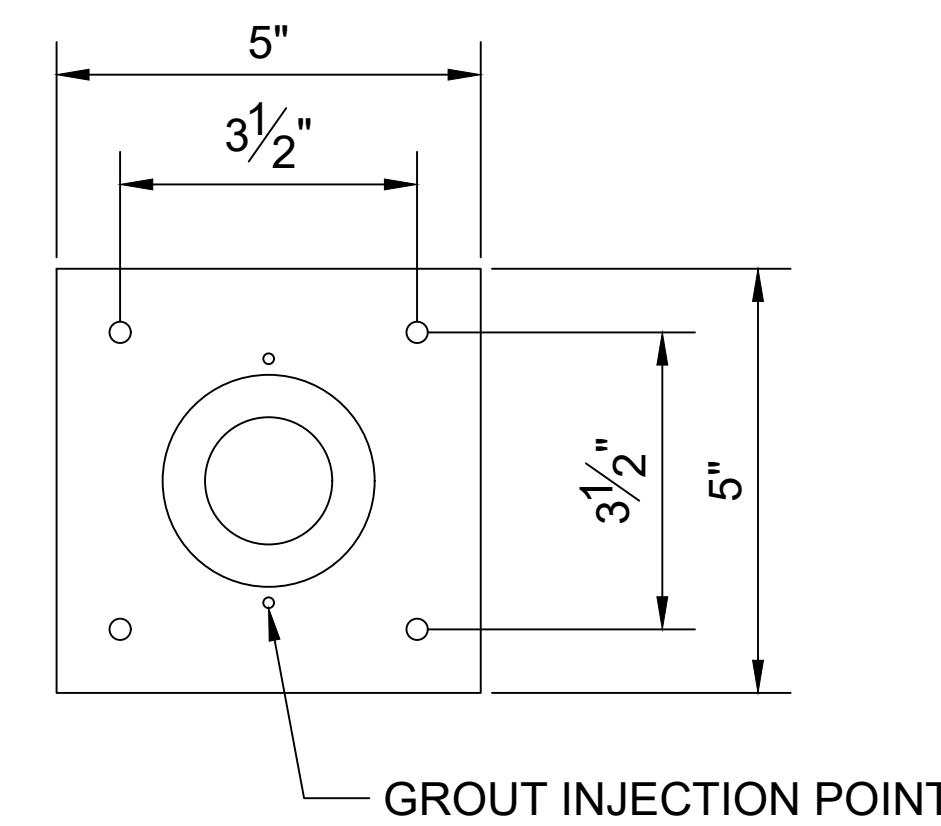
POSTS @ 8' MAX. O.C.

NEW 1 1/2" DIA. ALUMINUM TUBE (TYP.)

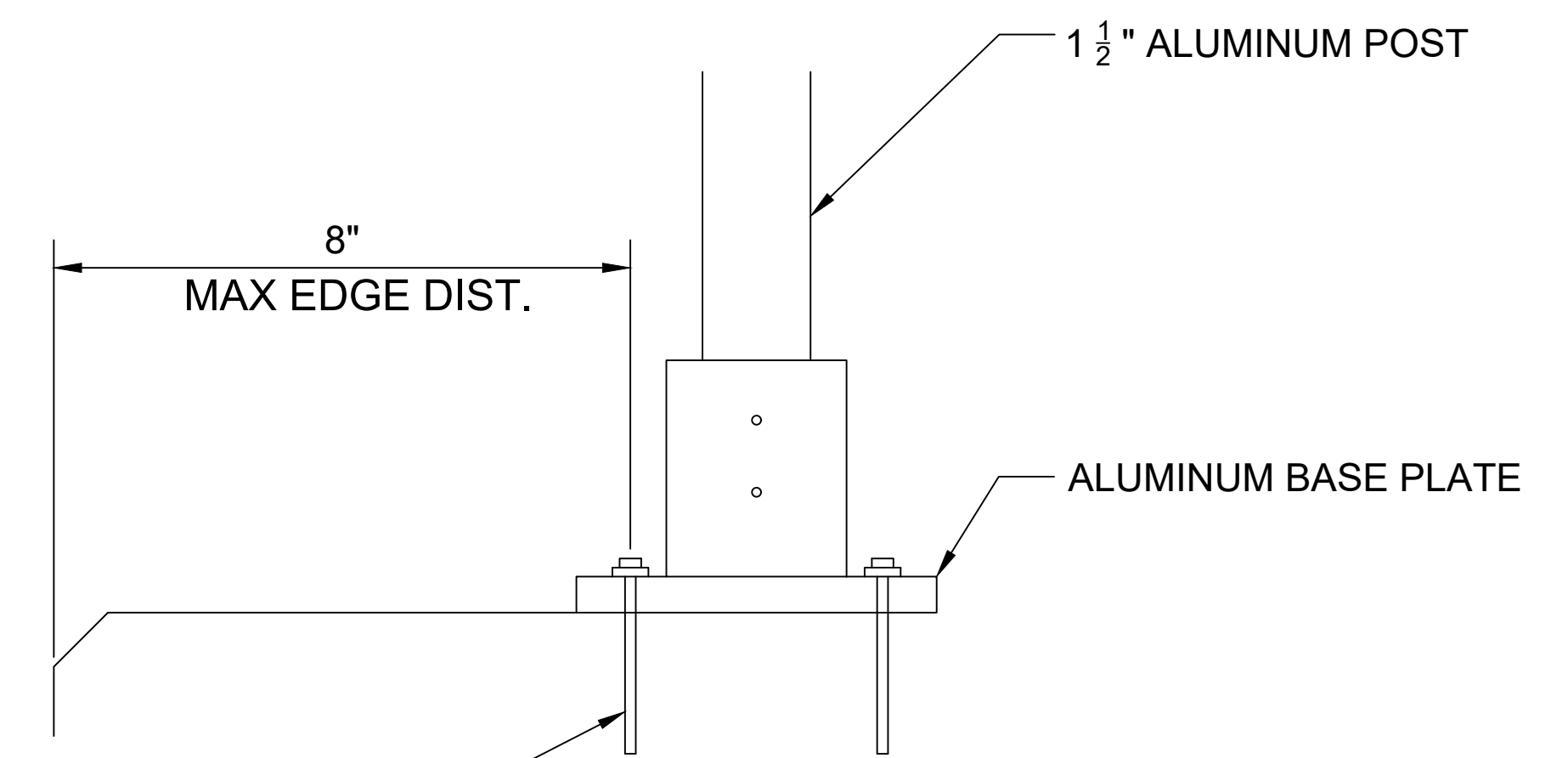
FACE OF EXISTING CONCRETE SLAB

ALUMINUM HANDRAIL BASE. REQ'D 1 1/2" I.D. SOCKET WITH SQUARE BASE FLANGE NURAIL 45SBC-8 SPEED RAIL OR APPROVED EQUAL

SIDE RAIL DETAIL



BASE PLATE PLAN



BASE PLATE ELEVATION

HAND RAIL DETAILS
SCALE: N.T.S.

THIS DRAWING PREPARED BY THE SEWERAGE AND WATER BOARD OF NEW ORLEANS

REV.	DATE	DESCRIPTION	BY

SEWERAGE AND WATER BOARD OF NEW ORLEANS

CONTRACT No. 1420
WEST POWER COMPLEX PHASE 1
INSTALLATION AND COMMISSIONING

NOTES AND RAIL DETAILS

DR. RB/TH/NFB	S-6
TRC. XX	
CHK. RB	
APP. FF	
SCALE: AS NOTED	DWG. No. 12214-W-50
DATE: 12/19/2023	SHEET NO. 06 OF 06

HANDRAIL NOTES

1. PROVIDE 4" TOE PLATE ON ALL HANDRAILS (TOE PLATE NOT SHOWN FOR CLARITY).
2. ON NORTH AND SOUTH SIDES, PROVIDE ONE EACH GAP 3'-0" WIDE, PROTECTED BY SAFETY CHAINS. PRECISE LOCATION TO BE SELECTED BY OWNER.

Attachment 10.h

Attachment – 1420_BidderQuestions_V0.pdf

C1420 - WPC Phase 1 Equipment Installation and Commissioning

Questions and Responses during Bidding

Response Version 0 dated December 20, 2023 included in Addendum 4: [Questions 1 - 7]

BIDDER QUESTION 1: (Referring to the Vol 3 drawings) - The Prints have a standard 1/4" = 1' Scale which makes them difficult to navigate. Can we get prints with a smaller (like 1/8" scale or smaller) to make it easier to navigate through the plans?

RESPONSE 1: The Volume 3 design drawings will not be reproduced at a different scale. A Navisworks model of the project site is provided for bidder use.

BIDDER QUESTION 2: Can we have more time to submit a bid?

RESPONSE 2: Bid deadline has been extended to February 1, 2024

BIDDER QUESTION 3: (Referring to the "Unit Price Form" in the "Official Bid Document") - Can we get a detailed scope of work for each unit price item (all 40)?

RESPONSE 3: Please refer to the following key specification sections that identify the project scope of work:

01 11 01 Project Summary of Work

01 91 14 Equipment Testing, Commissioning, and Facility Startup

05 00 10 Structural Summary of Work

26 00 10 Electrical Summary of Work

26 05 10 Cable Management

40 90 10 Instrumentation and Control Summary of Work

48 00 10 Mechanical Summary of Work

BIDDER QUESTION 4: During the prebid, it was mentioned that a Navisworks model exists of the project. Can you please share the file?

RESPONSE 4: Yes, the model was included in Addendum 3.

BIDDER QUESTION 5: Is there an excel file with the cable and conduit schedule (from Contract 1435)?

RESPONSE 5: Yes, the file was included in Addendum 3.

BIDDER QUESTION 6: What is the budget of the project?

RESPONSE 6: \$32.5M

BIDDER QUESTION 7: Can we have more time to submit RFI's?

RESPONSE 7: Deadline for questions has been extended to January 9, 2024

The above revisions shall be incorporated in and take precedence over any conflicting part of the original proposal documents. This addendum is hereby officially made a part of the referenced proposal.

Receipt of this addendum shall be acknowledged by inserting its number and date in the space provided in the Form of Proposal.

This addendum consists of ninety one (91) pages.

*** END OF ADDENDUM ***