

**LOUISIANA  
DEPARTMENT OF TRANSPORTATION AND DEVELOPMENT  
SPECIFICATIONS**

**SIGN HOLDERS  
ROLL-UP AND TRIPOD**

**DESCRIPTION:**

The following specification sets forth the requirements for portable steel tripod and vinyl roll-up sign holders. The holders shall accommodate 36" and 48" rigid or vinyl roll-up signs.

**REQUIREMENTS:**

**Product ID 12749 – Roll-up Sign Holder (Figure 2)**

Roll-up sign holder shall be designed to hold flexible 36" and 48" signs a minimum of 12" off the ground. Sign holder must be foldable, manufactured from ASTM 6000 series tubular aluminum and either galvanized or powder coated bright orange. The design must include four (4) two-piece, positive-locking, telescopic legs, each with a minimum of two (2) adjustment settings to allow the holder to be securely set up on uneven terrain. Each leg must come equipped with rubber anti-skid feet.

Sign holder shall be equipped with a single coil to provide wind deflection and rebounding of signs in wind gusts up to 60 miles per hour. Stand must be able to return to the original upright position during wind gusts without requiring additional ballasts or tie downs.

**Product ID 12750 – Tripod Sign Holder (Figure 1)**

The tripod sign holder shall be made of a minimum of 1", 16 gauge square steel tubing. The unit must be either galvanized or powder coated bright orange. The mast shall be adjustable to support up to a 48" sign and must have a flag holder at the top that will accommodate three (3) flags.

**CERTIFICATION:**

Sign holders must meet either NCHRP Report 350 or MASH standards. A letter from the manufacture certifying that the holders meet the specification must be supplied with each shipment. Certificate will be kept on file by the Department.

**PACKAGING:**

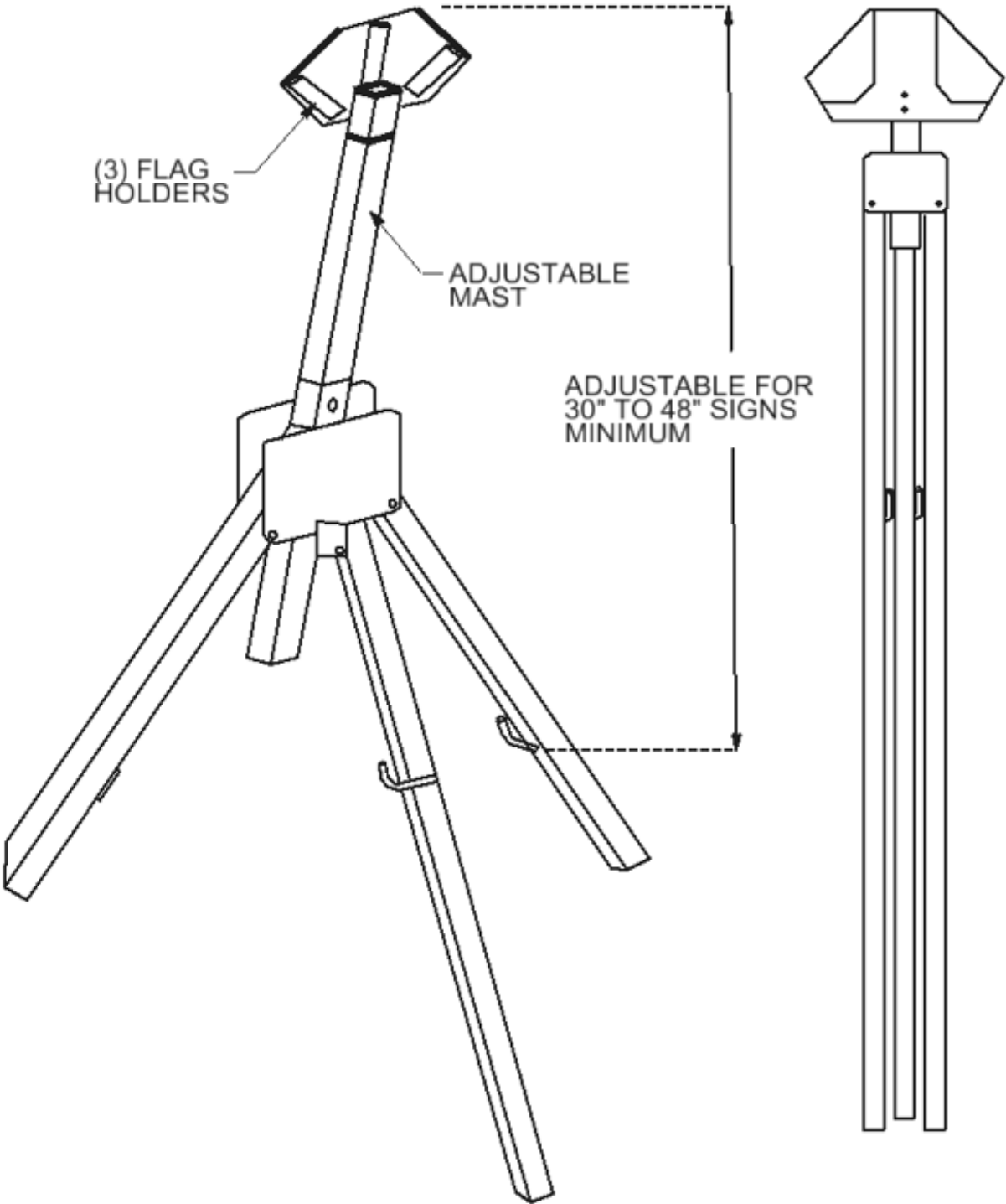
Sign holders shall be stacked vertically with no more than one hundred (100) holders on an individual pallet. Holders must be securely banded to the pallet for shipping.

**BRAND & MODEL:**

**Tripod:** Eastern Metal-USA Sign, Model E-350, or equal

**Roll-Up:** Eastern Metal-USA Sign, Model C-801-L-KLSH, or equal

**FIGURE 1**  
**Tripod Sign Holder**



**FIGURE 2**  
**Roll-up Sign Holder**

