

**CITY OF BATON ROUGE
PARISH OF EAST BATON ROUGE**

June 26, 2024

ADDENDUM NO. 1

TO: ALL BIDDERS

**SUBJECT: OLD HAMMOND HIGHWAY – SEGMENT 1
S. FLANNERY TO GOODWOOD**

CITY-PARISH PROJECT No. 12-CS-HC-0043A

BID DATE: TUESDAY, JULY 2, 2024

The following revisions shall be incorporated in and take precedence over any conflicting part of the original contract documents.

CLARIFICATION

Wrong bid documents were uploaded on www.centralbidding.com by mistake. Correct bid documents have been reuploaded on www.centralbidding.com.

PART 1. UNIFORM CONSTRUCTION BID FORMS

UNIFORM CONSTRUCTION BID FORMS

Replace Uniform Construction Bid Forms pages 1 of 18 thru 18 of 18 with the attached Uniform Construction Bid Forms pages 1 of 18 thru 18 of 18 Revised 6/21/2024. (Attached)

PART 1A. BID FORMS REQUIRED BY STATUE OR BY LOUISIANA ADMINISTRATIVE CODE

PART 1A

Replace Part 1A pages 1 of 6 thru 6 of 6 with the attached Part 1A pages 1 of 6 thru 6 of 6 Revised 6/25/2024. (Attached)

PART 2 SPECIAL PROVISIONS AND CONTRACT DOCUMENTS

PART 2

Replace Part 2 pages 1 of 185 thru 185 of 185 with the attached Part 2 pages 1 of 185 thru 185 of 185 Revised 6/25/2024. (Attached).

FINAL PLANS

FINAL PLANS

Replace Plan Sheets 1 of 167 thru 167 of 167 with the attached Plan Sheets 1 of 167 thru 167 of 167 Revised 6/20/2024. (Attached)

RESPONSES TO BIDDER QUESTIONS

QUESTION 1:

Are the seed, fertilizer, and water item quantities correct? They seem extremely high.

RESPONSE:

We have reviewed the seeding, fertilizer and water quantities and have revised these quantities. See attached revised summary of estimated quantities sheets.

QUESTION 2:

On page 25 of the plans, bottom left corner. What is the thickness of the compacted stone for (Temporary Lane Section)?

RESPONSE:

The stone will be 6" thick. See attached revised sheet.

QUESTION 3:

On page 7 of the plans, top right corner. How is the (Req'd 12" Compacted Base) being paid for?

RESPONSE:

To be paid for under 3030142. See attached revised sheets.

QUESTION 4:

Will the Item: Dynamic Monitoring be used for pile length determination, or will the order lengths of the pile be 70' long?

RESPONSE:

Pile lengths noted in the Pile Data Table are order lengths. Dynamic monitoring is used to verify pile capacities as noted in the Item 9900001: Dynamic Monitoring Special Provision.

QUESTION 5:

Page 2 of the Part 1 and 1A Documents is still showing the original March Date on the Cover Sheet. Is it okay to submit that one or do yall need to upload another with the correct date?

RESPONSE:

Part 1 and 1A have been updated to reflect correct dates.

UNIFORM CONSTRUCTION BID FORMS

With reference to Page UCBF 1 of 4, the Bidder shall indicate receipt of this Addendum in the space provided. Failure to indicate receipt of this Addendum may be cause for the bid to be rejected.

For online www.centralbidding.com bidders: An acknowledgment of this addendum will be prompted by the Expedite bidding program prior to formally submitting the bid. Technical addendums may have been created on the Central Bidding website for any changes made due to errors of input of schedule of bid items. The technical addendums might not be numbered the same as paper copy addendums that DPW issues to contractors who have picked up plans directly from them. Contractor should be aware that the technical addendums must be acknowledged when submitting the bid.

APPROVED:


Thomas Stephens, P.E.
Chief Design & Construction Engineer

UNIT PRICE FORM

To: CITY OF BATON ROUGE
 PARISH OF EAST BATON ROUGE
 DEPARTMENT OF PUBLIC WORKS

BID FOR: OLD HAMMOND HIGHWAY-SEGMENT I
 S FLANNERY TO GOODWOOD

Project Number: 12-CS-HC-0043A

<i>Description:</i> Clearing and Grubbing				
REF. NO.	QUANTITY	UNIT OF MEASURE	UNIT PRICE	UNIT PRICE EXTENSION (Quantity X Unit Price)
2010100	1	LUMP	\$ _____ . _____	\$ _____ . _____
<i>Description:</i> Removal of Structures and Obstructions				
REF. NO.	QUANTITY	UNIT OF MEASURE	UNIT PRICE	UNIT PRICE EXTENSION (Quantity X Unit Price)
2020100	1	LUMP	\$ _____ . _____	\$ _____ . _____
<i>Description:</i> Removal of Bridge (STA. 317+55.29 TO STA. 318+51.29)(24'X96' SLAB SPAN BRIDGE)				
REF. NO.	QUANTITY	UNIT OF MEASURE	UNIT PRICE	UNIT PRICE EXTENSION (Quantity X Unit Price)
2020200	1	EACH	\$ _____ . _____	\$ _____ . _____
<i>Description:</i> Removal of Bridge Approach Slabs				
REF. NO.	QUANTITY	UNIT OF MEASURE	UNIT PRICE	UNIT PRICE EXTENSION (Quantity X Unit Price)
2020201	480	SY	\$ _____ . _____	\$ _____ . _____
<i>Description:</i> Removal of Guardrail				
REF. NO.	QUANTITY	UNIT OF MEASURE	UNIT PRICE	UNIT PRICE EXTENSION (Quantity X Unit Price)
2020202	244	LF	\$ _____ . _____	\$ _____ . _____
<i>Description:</i> Removal of Asphalt Surfacing				
REF. NO.	QUANTITY	UNIT OF MEASURE	UNIT PRICE	UNIT PRICE EXTENSION (Quantity X Unit Price)
2020400	722	SY	\$ _____ . _____	\$ _____ . _____

UNIT PRICE FORM

To: CITY OF BATON ROUGE
 PARISH OF EAST BATON ROUGE
 DEPARTMENT OF PUBLIC WORKS

BID FOR: OLD HAMMOND HIGHWAY-SEGMENT I
 S FLANNERY TO GOODWOOD

Project Number: 12-CS-HC-0043A

<i>Description:</i> Removal of Asphalt Surfacing and Base				
REF. NO.	QUANTITY	UNIT OF MEASURE	UNIT PRICE	UNIT PRICE EXTENSION <i>(Quantity X Unit Price)</i>
2020500	4237	SY	\$ _____ . _____	\$ _____ . _____
<i>Description:</i> Removal of Concrete Walks and Drives				
REF. NO.	QUANTITY	UNIT OF MEASURE	UNIT PRICE	UNIT PRICE EXTENSION <i>(Quantity X Unit Price)</i>
2020600	1335	SY	\$ _____ . _____	\$ _____ . _____
<i>Description:</i> Removal of Concrete Curb				
REF. NO.	QUANTITY	UNIT OF MEASURE	UNIT PRICE	UNIT PRICE EXTENSION <i>(Quantity X Unit Price)</i>
2020700	443.2	LF	\$ _____ . _____	\$ _____ . _____
<i>Description:</i> Saw Cut Surfaces - Asphalt				
REF. NO.	QUANTITY	UNIT OF MEASURE	UNIT PRICE	UNIT PRICE EXTENSION <i>(Quantity X Unit Price)</i>
2020901	392	LF	\$ _____ . _____	\$ _____ . _____
<i>Description:</i> Saw Cut Surfaces - Concrete				
REF. NO.	QUANTITY	UNIT OF MEASURE	UNIT PRICE	UNIT PRICE EXTENSION <i>(Quantity X Unit Price)</i>
2020902	337	LF	\$ _____ . _____	\$ _____ . _____
<i>Description:</i> General Excavation				
REF. NO.	QUANTITY	UNIT OF MEASURE	UNIT PRICE	UNIT PRICE EXTENSION <i>(Quantity X Unit Price)</i>
2030100	712	CY	\$ _____ . _____	\$ _____ . _____

UNIT PRICE FORM

To: CITY OF BATON ROUGE
 PARISH OF EAST BATON ROUGE
 DEPARTMENT OF PUBLIC WORKS

BID FOR: OLD HAMMOND HIGHWAY-SEGMENT I
 S FLANNERY TO GOODWOOD

Project Number: 12-CS-HC-0043A

<i>Description:</i> Embankment				
REF. NO.	QUANTITY	UNIT OF MEASURE	UNIT PRICE	UNIT PRICE EXTENSION (Quantity X Unit Price)
2030200	4280	CY	\$ _____ . _____	\$ _____ . _____
<i>Description:</i> Channel Excavation				
REF. NO.	QUANTITY	UNIT OF MEASURE	UNIT PRICE	UNIT PRICE EXTENSION (Quantity X Unit Price)
2030400	350	CY	\$ _____ . _____	\$ _____ . _____
<i>Description:</i> Geotextile Fabric				
REF. NO.	QUANTITY	UNIT OF MEASURE	UNIT PRICE	UNIT PRICE EXTENSION (Quantity X Unit Price)
2030900	4106	SY	\$ _____ . _____	\$ _____ . _____
<i>Description:</i> Stone Base Course (6" Thick)				
REF. NO.	QUANTITY	UNIT OF MEASURE	UNIT PRICE	UNIT PRICE EXTENSION (Quantity X Unit Price)
3020506	4106	SY	\$ _____ . _____	\$ _____ . _____
<i>Description:</i> TYPE D SUBGRADE TREATMENT (12" THICK)				
REF. NO.	QUANTITY	UNIT OF MEASURE	UNIT PRICE	UNIT PRICE EXTENSION (Quantity X Unit Price)
3030412	4676	SY	\$ _____ . _____	\$ _____ . _____
<i>Description:</i> Traffic Maintenance Aggregate (Truck Measure)				
REF. NO.	QUANTITY	UNIT OF MEASURE	UNIT PRICE	UNIT PRICE EXTENSION (Quantity X Unit Price)
4010100	98.46	CY	\$ _____ . _____	\$ _____ . _____

UNIT PRICE FORM

To: CITY OF BATON ROUGE
 PARISH OF EAST BATON ROUGE
 DEPARTMENT OF PUBLIC WORKS

BID FOR: OLD HAMMOND HIGHWAY-SEGMENT I
 S FLANNERY TO GOODWOOD

Project Number: 12-CS-HC-0043A

<i>Description:</i> 8" Portland Cement Concrete Pavement				
REF. NO.	QUANTITY	UNIT OF MEASURE	UNIT PRICE	UNIT PRICE EXTENSION (Quantity X Unit Price)
5020108	2564.3	SY	\$ _____ . _____	\$ _____ . _____
<i>Description:</i> 5" PERVIOUS CONCRETE PAVEMENT				
REF. NO.	QUANTITY	UNIT OF MEASURE	UNIT PRICE	UNIT PRICE EXTENSION (Quantity X Unit Price)
5100105	1047.8	SY	\$ _____ . _____	\$ _____ . _____
<i>Description:</i> Class 6A 4000 Concrete (INTERMEDIATE & END BENTS) (CAP)				
REF. NO.	QUANTITY	UNIT OF MEASURE	UNIT PRICE	UNIT PRICE EXTENSION (Quantity X Unit Price)
6010100	106.78	CY	\$ _____ . _____	\$ _____ . _____
<i>Description:</i> Reinforcing Steel (GRADE 60) (INTERMEDIATE & END BENTS) (CAP)				
REF. NO.	QUANTITY	UNIT OF MEASURE	UNIT PRICE	UNIT PRICE EXTENSION (Quantity X Unit Price)
6010500	20896	LB	\$ _____ . _____	\$ _____ . _____
<i>Description:</i> Bridge Approach Slab (75 DEG. CROSSING W/O ASPHALT) (INCLUDING 10'-0" AND 40'-0" BARRIER TRANSITIONS)				
REF. NO.	QUANTITY	UNIT OF MEASURE	UNIT PRICE	UNIT PRICE EXTENSION (Quantity X Unit Price)
6010600	573	SY	\$ _____ . _____	\$ _____ . _____
<i>Description:</i> Bridge Spans (DECK, SIDEWALK, BRIDGE RAILING, & SIDEWALK RAILING)				
REF. NO.	QUANTITY	UNIT OF MEASURE	UNIT PRICE	UNIT PRICE EXTENSION (Quantity X Unit Price)
6010700	7	SPAN	\$ _____ . _____	\$ _____ . _____

UNIT PRICE FORM

To: CITY OF BATON ROUGE
 PARISH OF EAST BATON ROUGE
 DEPARTMENT OF PUBLIC WORKS

BID FOR: OLD HAMMOND HIGHWAY-SEGMENT I
 S FLANNERY TO GOODWOOD

Project Number: 12-CS-HC-0043A

<i>Description:</i> 18" Precast Concrete Pile				
REF. NO.	QUANTITY	UNIT OF MEASURE	UNIT PRICE	UNIT PRICE EXTENSION (Quantity X Unit Price)
6050118	3920	LF	\$ _____ . _____	\$ _____ . _____
<i>Description:</i> 15" Storm Drain Pipe				
REF. NO.	QUANTITY	UNIT OF MEASURE	UNIT PRICE	UNIT PRICE EXTENSION (Quantity X Unit Price)
7010115	176	LF	\$ _____ . _____	\$ _____ . _____
<i>Description:</i> 18" STORM DRAIN PIPE				
REF. NO.	QUANTITY	UNIT OF MEASURE	UNIT PRICE	UNIT PRICE EXTENSION (Quantity X Unit Price)
7010118	95	LF	\$ _____ . _____	\$ _____ . _____
<i>Description:</i> 24" Storm Drain Pipe				
REF. NO.	QUANTITY	UNIT OF MEASURE	UNIT PRICE	UNIT PRICE EXTENSION (Quantity X Unit Price)
7010124	684	LF	\$ _____ . _____	\$ _____ . _____
<i>Description:</i> 30" Storm Drain Pipe				
REF. NO.	QUANTITY	UNIT OF MEASURE	UNIT PRICE	UNIT PRICE EXTENSION (Quantity X Unit Price)
7010130	442	LF	\$ _____ . _____	\$ _____ . _____
<i>Description:</i> 30" Bituminous Coated Corrugated Metal Pipe				
REF. NO.	QUANTITY	UNIT OF MEASURE	UNIT PRICE	UNIT PRICE EXTENSION (Quantity X Unit Price)
7010530	144	LF	\$ _____ . _____	\$ _____ . _____

UNIT PRICE FORM

To: CITY OF BATON ROUGE
 PARISH OF EAST BATON ROUGE
 DEPARTMENT OF PUBLIC WORKS

BID FOR: OLD HAMMOND HIGHWAY-SEGMENT I
 S FLANNERY TO GOODWOOD

Project Number: 12-CS-HC-0043A

<i>Description:</i> 96" Bituminous Coated Corrugated Metal Pipe				
REF. NO.	QUANTITY	UNIT OF MEASURE	UNIT PRICE	UNIT PRICE EXTENSION (Quantity X Unit Price)
7010596	176	LF	\$ _____ . _____	\$ _____ . _____
<i>Description:</i> 108" BITUMINOUS COATED CORRUGATED METAL PIPE				
REF. NO.	QUANTITY	UNIT OF MEASURE	UNIT PRICE	UNIT PRICE EXTENSION (Quantity X Unit Price)
7010597	155	LF	\$ _____ . _____	\$ _____ . _____
<i>Description:</i> Single Curb Inlet (702-01)				
REF. NO.	QUANTITY	UNIT OF MEASURE	UNIT PRICE	UNIT PRICE EXTENSION (Quantity X Unit Price)
7020101	8	EACH	\$ _____ . _____	\$ _____ . _____
<i>Description:</i> Double Curb Inlet (702-02)				
REF. NO.	QUANTITY	UNIT OF MEASURE	UNIT PRICE	UNIT PRICE EXTENSION (Quantity X Unit Price)
7020201	2	EACH	\$ _____ . _____	\$ _____ . _____
<i>Description:</i> Reticuline Grate Inlet (702-12)				
REF. NO.	QUANTITY	UNIT OF MEASURE	UNIT PRICE	UNIT PRICE EXTENSION (Quantity X Unit Price)
7020310	8	EACH	\$ _____ . _____	\$ _____ . _____
<i>Description:</i> Grate Inlet (702-20)				
REF. NO.	QUANTITY	UNIT OF MEASURE	UNIT PRICE	UNIT PRICE EXTENSION (Quantity X Unit Price)
7020311	2	EACH	\$ _____ . _____	\$ _____ . _____

UNIT PRICE FORM

To: CITY OF BATON ROUGE
 PARISH OF EAST BATON ROUGE
 DEPARTMENT OF PUBLIC WORKS

BID FOR: OLD HAMMOND HIGHWAY-SEGMENT I
 S FLANNERY TO GOODWOOD

Project Number: 12-CS-HC-0043A

<i>Description:</i> Concrete Junction Box (702-31)				
REF. NO.	QUANTITY	UNIT OF MEASURE	UNIT PRICE	UNIT PRICE EXTENSION <i>(Quantity X Unit Price)</i>
7020802	5	EACH	\$ _____ . _____	\$ _____ . _____
<i>Description:</i> 4" PERFORATED PIPE UNDERDRAIN				
REF. NO.	QUANTITY	UNIT OF MEASURE	UNIT PRICE	UNIT PRICE EXTENSION <i>(Quantity X Unit Price)</i>
7030104	1150	LF	\$ _____ . _____	\$ _____ . _____
<i>Description:</i> 24" Thick Rip-Rap (130 LB)				
REF. NO.	QUANTITY	UNIT OF MEASURE	UNIT PRICE	UNIT PRICE EXTENSION <i>(Quantity X Unit Price)</i>
7050124	2647	SY	\$ _____ . _____	\$ _____ . _____
<i>Description:</i> 8" Plastic Sewer Pipe				
REF. NO.	QUANTITY	UNIT OF MEASURE	UNIT PRICE	UNIT PRICE EXTENSION <i>(Quantity X Unit Price)</i>
8010108	280	LF	\$ _____ . _____	\$ _____ . _____
<i>Description:</i> Sewer Manhole				
REF. NO.	QUANTITY	UNIT OF MEASURE	UNIT PRICE	UNIT PRICE EXTENSION <i>(Quantity X Unit Price)</i>
8020100	3	EACH	\$ _____ . _____	\$ _____ . _____
<i>Description:</i> Adjusting Sewer Manhole				
REF. NO.	QUANTITY	UNIT OF MEASURE	UNIT PRICE	UNIT PRICE EXTENSION <i>(Quantity X Unit Price)</i>
8033000	1	EACH	\$ _____ . _____	\$ _____ . _____

UNIT PRICE FORM

To: CITY OF BATON ROUGE
 PARISH OF EAST BATON ROUGE
 DEPARTMENT OF PUBLIC WORKS

BID FOR: OLD HAMMOND HIGHWAY-SEGMENT I
 S FLANNERY TO GOODWOOD

Project Number: 12-CS-HC-0043A

<i>Description:</i> Manhole Cover Vent System				
REF. NO.	QUANTITY	UNIT OF MEASURE	UNIT PRICE	UNIT PRICE EXTENSION (Quantity X Unit Price)
8068000	1	EACH	\$ _____ . _____	\$ _____ . _____
<i>Description:</i> Temporary Hay Bales				
REF. NO.	QUANTITY	UNIT OF MEASURE	UNIT PRICE	UNIT PRICE EXTENSION (Quantity X Unit Price)
9030200	182	EACH	\$ _____ . _____	\$ _____ . _____
<i>Description:</i> Temporary Silt Fencing				
REF. NO.	QUANTITY	UNIT OF MEASURE	UNIT PRICE	UNIT PRICE EXTENSION (Quantity X Unit Price)
9030500	1925	LF	\$ _____ . _____	\$ _____ . _____
<i>Description:</i> Seed				
REF. NO.	QUANTITY	UNIT OF MEASURE	UNIT PRICE	UNIT PRICE EXTENSION (Quantity X Unit Price)
9030800	24	LB	\$ _____ . _____	\$ _____ . _____
<i>Description:</i> Fertilizer				
REF. NO.	QUANTITY	UNIT OF MEASURE	UNIT PRICE	UNIT PRICE EXTENSION (Quantity X Unit Price)
9030900	80	LB	\$ _____ . _____	\$ _____ . _____
<i>Description:</i> Water				
REF. NO.	QUANTITY	UNIT OF MEASURE	UNIT PRICE	UNIT PRICE EXTENSION (Quantity X Unit Price)
9031000	19.36	MGAL	\$ _____ . _____	\$ _____ . _____

UNIT PRICE FORM

To: CITY OF BATON ROUGE
 PARISH OF EAST BATON ROUGE
 DEPARTMENT OF PUBLIC WORKS

BID FOR: OLD HAMMOND HIGHWAY-SEGMENT I
 S FLANNERY TO GOODWOOD

Project Number: 12-CS-HC-0043A

<i>Description:</i> Storm Water Pollution Prevention Plan				
REF. NO.	QUANTITY	UNIT OF MEASURE	UNIT PRICE	UNIT PRICE EXTENSION <i>(Quantity X Unit Price)</i>
9031600	1	LUMP	\$ _____ . _____	\$ _____ . _____
<i>Description:</i> Temporary Signs and Barricades				
REF. NO.	QUANTITY	UNIT OF MEASURE	UNIT PRICE	UNIT PRICE EXTENSION <i>(Quantity X Unit Price)</i>
9050100	1	LUMP	\$ _____ . _____	\$ _____ . _____
<i>Description:</i> Traffic Signs				
REF. NO.	QUANTITY	UNIT OF MEASURE	UNIT PRICE	UNIT PRICE EXTENSION <i>(Quantity X Unit Price)</i>
9050200	35.75	SF	\$ _____ . _____	\$ _____ . _____
<i>Description:</i> Object Marker				
REF. NO.	QUANTITY	UNIT OF MEASURE	UNIT PRICE	UNIT PRICE EXTENSION <i>(Quantity X Unit Price)</i>
9050400	4	EACH	\$ _____ . _____	\$ _____ . _____
<i>Description:</i> Temporary Traffic Striping				
REF. NO.	QUANTITY	UNIT OF MEASURE	UNIT PRICE	UNIT PRICE EXTENSION <i>(Quantity X Unit Price)</i>
9050600	1	LUMP	\$ _____ . _____	\$ _____ . _____
<i>Description:</i> Plastic Traffic Striping (4" Width)				
REF. NO.	QUANTITY	UNIT OF MEASURE	UNIT PRICE	UNIT PRICE EXTENSION <i>(Quantity X Unit Price)</i>
9050804	6045.8	LF	\$ _____ . _____	\$ _____ . _____

UNIT PRICE FORM

To: CITY OF BATON ROUGE
 PARISH OF EAST BATON ROUGE
 DEPARTMENT OF PUBLIC WORKS

BID FOR: OLD HAMMOND HIGHWAY-SEGMENT I
 S FLANNERY TO GOODWOOD

Project Number: 12-CS-HC-0043A

<i>Description:</i> Plastic Traffic Striping (8" Width)				
REF. NO.	QUANTITY	UNIT OF MEASURE	UNIT PRICE	UNIT PRICE EXTENSION (Quantity X Unit Price)
9050808	148	LF	\$ _____ . _____	\$ _____ . _____
<i>Description:</i> Plastic Traffic Striping (24" Width)				
REF. NO.	QUANTITY	UNIT OF MEASURE	UNIT PRICE	UNIT PRICE EXTENSION (Quantity X Unit Price)
9050824	515	LF	\$ _____ . _____	\$ _____ . _____
<i>Description:</i> Plastic Legends and Symbols ("Single Head Arrow")				
REF. NO.	QUANTITY	UNIT OF MEASURE	UNIT PRICE	UNIT PRICE EXTENSION (Quantity X Unit Price)
9051001	2	EACH	\$ _____ . _____	\$ _____ . _____
<i>Description:</i> Plastic Legends and Symbols ("Double Head Arrow")				
REF. NO.	QUANTITY	UNIT OF MEASURE	UNIT PRICE	UNIT PRICE EXTENSION (Quantity X Unit Price)
9051002	2	EACH	\$ _____ . _____	\$ _____ . _____
<i>Description:</i> Plastic Legends and Symbols ("ONLY")				
REF. NO.	QUANTITY	UNIT OF MEASURE	UNIT PRICE	UNIT PRICE EXTENSION (Quantity X Unit Price)
9051003	2	EACH	\$ _____ . _____	\$ _____ . _____
<i>Description:</i> Raised Pavement Markers				
REF. NO.	QUANTITY	UNIT OF MEASURE	UNIT PRICE	UNIT PRICE EXTENSION (Quantity X Unit Price)
9051100	82	EACH	\$ _____ . _____	\$ _____ . _____

UNIT PRICE FORM

To: CITY OF BATON ROUGE
 PARISH OF EAST BATON ROUGE
 DEPARTMENT OF PUBLIC WORKS

BID FOR: OLD HAMMOND HIGHWAY-SEGMENT I
 S FLANNERY TO GOODWOOD

Project Number: 12-CS-HC-0043A

<i>Description:</i> TRAFFIC SIGNAL SYSTEM				
REF. NO.	QUANTITY	UNIT OF MEASURE	UNIT PRICE	UNIT PRICE EXTENSION (Quantity X Unit Price)
9060100	1	LUMP	\$ _____ . _____	\$ _____ . _____
<i>Description:</i> Integral Concrete Curb (Mountable)				
REF. NO.	QUANTITY	UNIT OF MEASURE	UNIT PRICE	UNIT PRICE EXTENSION (Quantity X Unit Price)
9070101	167	LF	\$ _____ . _____	\$ _____ . _____
<i>Description:</i> Integral Concrete Curb (6" Barrier)				
REF. NO.	QUANTITY	UNIT OF MEASURE	UNIT PRICE	UNIT PRICE EXTENSION (Quantity X Unit Price)
9070106	1190	LF	\$ _____ . _____	\$ _____ . _____
<i>Description:</i> 5" CONCRETE WALK				
REF. NO.	QUANTITY	UNIT OF MEASURE	UNIT PRICE	UNIT PRICE EXTENSION (Quantity X Unit Price)
9070305	217.4	SY	\$ _____ . _____	\$ _____ . _____
<i>Description:</i> 6" Concrete Drives				
REF. NO.	QUANTITY	UNIT OF MEASURE	UNIT PRICE	UNIT PRICE EXTENSION (Quantity X Unit Price)
9070406	1245.5	SY	\$ _____ . _____	\$ _____ . _____
<i>Description:</i> Mobilization				
REF. NO.	QUANTITY	UNIT OF MEASURE	UNIT PRICE	UNIT PRICE EXTENSION (Quantity X Unit Price)
9090100	1	LUMP	\$ _____ . _____	\$ _____ . _____

UNIT PRICE FORM

To: CITY OF BATON ROUGE
 PARISH OF EAST BATON ROUGE
 DEPARTMENT OF PUBLIC WORKS

BID FOR: OLD HAMMOND HIGHWAY-SEGMENT I
 S FLANNERY TO GOODWOOD

Project Number: 12-CS-HC-0043A

<i>Description:</i> Temporary Detour Road				
REF. NO.	QUANTITY	UNIT OF MEASURE	UNIT PRICE	UNIT PRICE EXTENSION (Quantity X Unit Price)
9120100	591	SY	\$ _____ . _____	\$ _____ . _____
<i>Description:</i> PRE-CONSTRUCTION VIDEO				
REF. NO.	QUANTITY	UNIT OF MEASURE	UNIT PRICE	UNIT PRICE EXTENSION (Quantity X Unit Price)
9140100	1	LUMP	\$ _____ . _____	\$ _____ . _____
<i>Description:</i> PAVEMENT ADJUSTMENT (FUELS)				
REF. NO.	QUANTITY	UNIT OF MEASURE	UNIT PRICE	UNIT PRICE EXTENSION (Quantity X Unit Price)
9900004	10000	DOL	\$ _____ . _____	\$ _____ . _____
<i>Description:</i> TRUNCATED DOME INSET				
REF. NO.	QUANTITY	UNIT OF MEASURE	UNIT PRICE	UNIT PRICE EXTENSION (Quantity X Unit Price)
9900006	28.6	SY	\$ _____ . _____	\$ _____ . _____
<i>Description:</i> DYNAMIC MONITORING				
REF. NO.	QUANTITY	UNIT OF MEASURE	UNIT PRICE	UNIT PRICE EXTENSION (Quantity X Unit Price)
9900011	2	EACH	\$ _____ . _____	\$ _____ . _____
<i>Description:</i> VIBRATION MONITORING				
REF. NO.	QUANTITY	UNIT OF MEASURE	UNIT PRICE	UNIT PRICE EXTENSION (Quantity X Unit Price)
9900013	56	EACH	\$ _____ . _____	\$ _____ . _____

UNIT PRICE FORM

To: CITY OF BATON ROUGE
 PARISH OF EAST BATON ROUGE
 DEPARTMENT OF PUBLIC WORKS

BID FOR: OLD HAMMOND HIGHWAY-SEGMENT I
 S FLANNERY TO GOODWOOD

Project Number: 12-CS-HC-0043A

<i>Description:</i> ASPHALT CONCRETE PAVEMENT (WEARING COURSE LEVEL 2F)				
REF. NO.	QUANTITY	UNIT OF MEASURE	UNIT PRICE	UNIT PRICE EXTENSION <i>(Quantity X Unit Price)</i>
9900030	181.1	TON	\$ _____ . _____	\$ _____ . _____
<i>Description:</i> ASPHALT CONCRETE PAVEMENT (BINDER COURSE LEVEL 2)				
REF. NO.	QUANTITY	UNIT OF MEASURE	UNIT PRICE	UNIT PRICE EXTENSION <i>(Quantity X Unit Price)</i>
9900031	181.1	TON	\$ _____ . _____	\$ _____ . _____

NOTE: STORM DRAIN PIPE SHALL BE REINFORCED CONCRETE PIPE (RCP) OR RIBBED POLYVINYL CHLORIDE PIPE (RPVC).

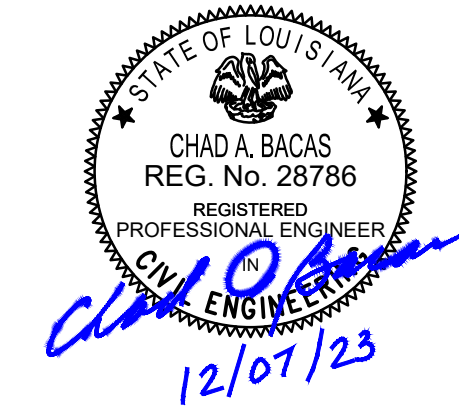
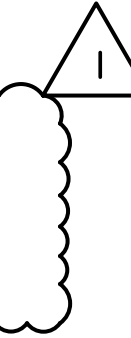
SUMMARY OF ESTIMATED QUANTITIES			
ITEM	DESCRIPTION	PAY UNIT	QUANTITY
2010100	CLEARING AND GRUBBING	LUMP SUM	LUMP
2020100	REMOVAL OF STRUCTURES & OBSTRUCTIONS	LUMP SUM	LUMP
2020200	REMOVAL OF BRIDGE (STA. 317+55.29 TO STA. 318+51.29)(24'X96' SLAB SPAN BRIDGE)	EACH	1
2020201	REMOVAL OF BRIDGE APPROACH SLABS	SQ.YD.	480
2020202	REMOVAL OF GUARDRAIL	LIN FT	244
2020400	REMOVAL OF ASPHALT SURFACING	SQ. YD.	722
2020500	REMOVAL OF ASPHALT SURFACING AND BASE	SQ. YD.	4237
2020600	REMOVAL OF CONCRETE WALKS AND DRIVES	SQ. YD.	1335
2020700	REMOVAL OF CONCRETE CURB	LIN. FT.	443.2
2020901	SAW CUT SURFACES - ASPHALT	LIN. FT.	392
2020902	SAW CUT SURFACES - CONCRETE	LIN. FT.	337
2030100	GENERAL EXCAVATION	CU. YD.	712
2030200	EMBANKMENT	CU. YD.	4280
2030400	CHANNEL EXCAVATION	CU. YD.	350
2030900	GEOTEXTILE FABRIC	SQ. YD.	4106.0
3020506	STONE BASE COURSE (6" THICK)	SQ. YD.	4106.0
3030412	TYPE D SUBGRADE TREATMENT (12" THICK)	SQ. YD.	4676.0
4010100	TRAFFIC MAINTENANCE AGGREGATE (TRUCK MEASURE)	CU. YD.	98.46
5020108	8" PORTLAND CEMENT CONCRETE PAVEMENT	SQ. YD.	2564.3
5100105	5" PERVIOUS CONCRETE PAVEMENT	SQ. YD.	1047.8
6010100	CLASS 6A 4000 CONCRETE (INTERMEDIATE & END BENTS) (CAP)	CU. YD.	106.78
6010500	REINFORCING STEEL (GRADE 60) (INTERMEDIATE & END BENTS) (CAP)	LB.	20896
6010600	BRIDGE APPROACH SLAB (75 DEG. CROSSING W/O ASPHALT) (INCLUDING 10'-0" AND 40'-0" BARRIER TRANSITIONS)	SQ. YD.	573.0
6010700	BRIDGE SPANS (DECK, SIDEWALK, BRIDGE RAILING, & SIDEWALK RAILING)	SPAN	7
6050118	18" PRECAST CONCRETE PILE	LIN. FT.	3920
7010115	15" STORM DRAIN PIPE	LIN. FT.	176
7010118	18" STORM DRAIN PIPE	LIN. FT.	95
7010124	24" STORM DRAIN PIPE	LIN. FT.	684
7010130	30" STORM DRAIN PIPE	LIN. FT.	442
7010530	30" BITUMINOUS COATED CORRUGATED METAL PIPE	LIN. FT.	144
7010596	96" BITUMINOUS COATED CORRUGATED METAL PIPE	LIN. FT.	176
7010597	108" BITUMINOUS COATED CORRUGATED METAL PIPE	LIN. FT.	155

1

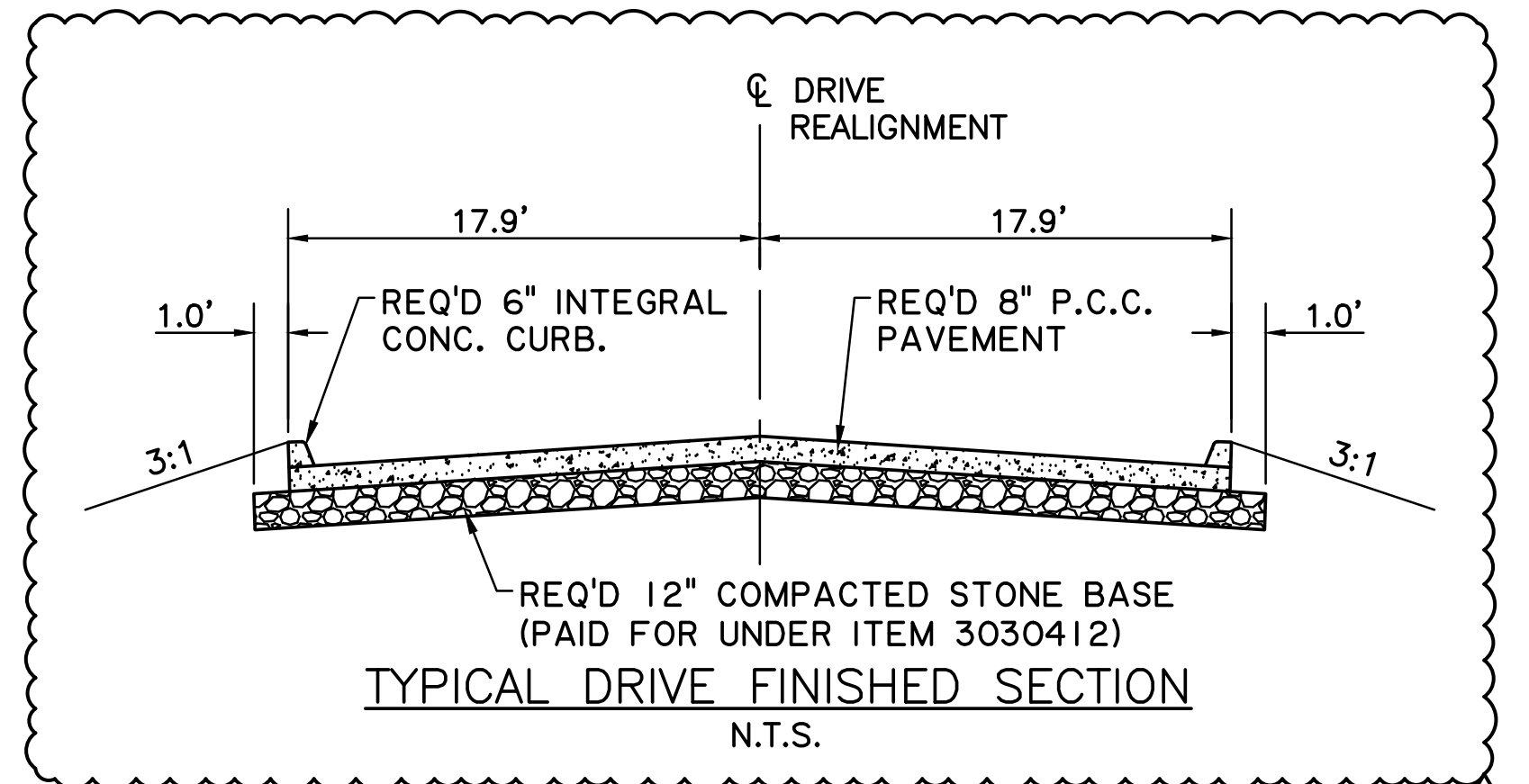
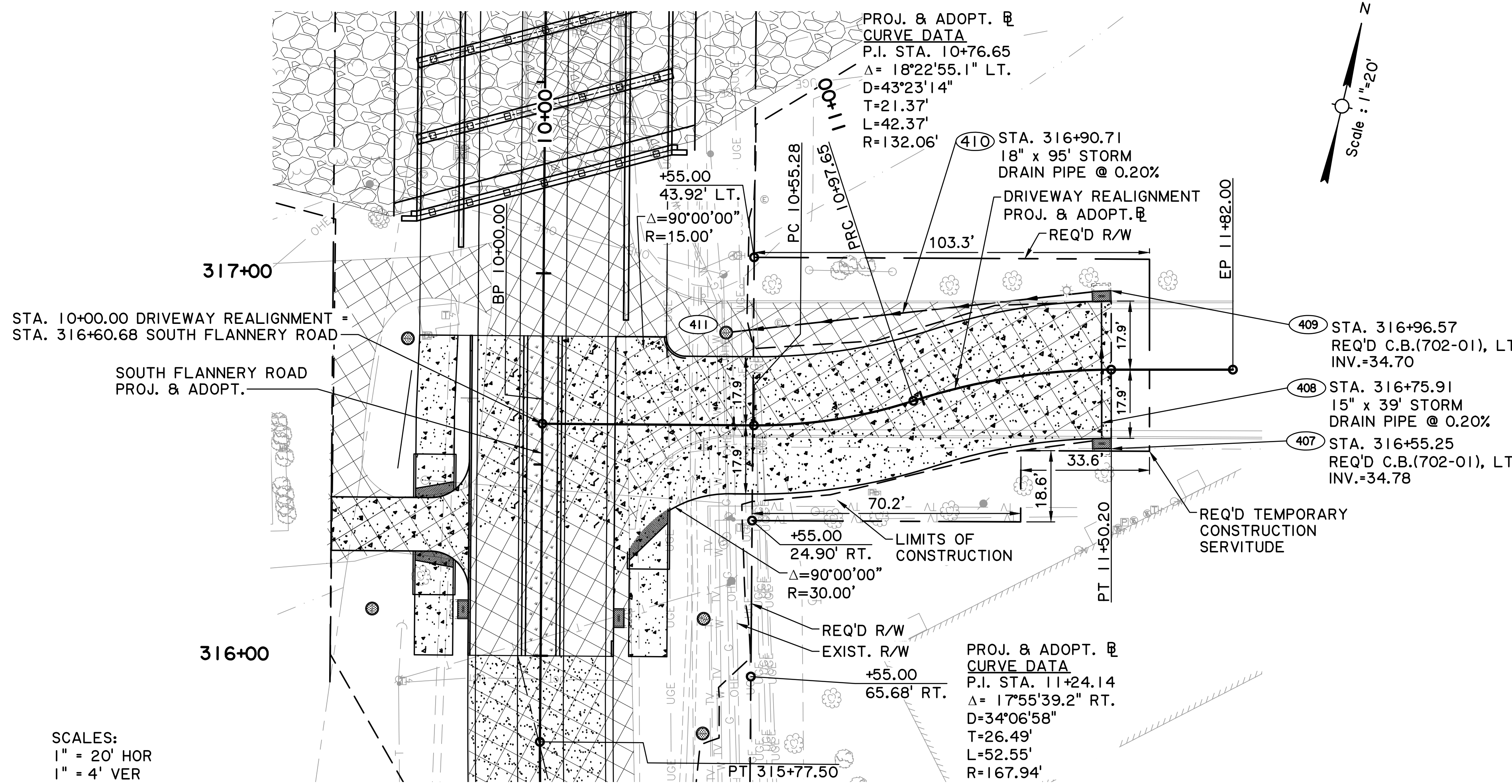


SHEET NUMBER		2	
EAST BATON ROUGE		12-CS-HC-0043A	
DESIGNED	MAK	CITY PROJECT	STATE PROJECT
CHECKED	CAB	12-07-2023	1 of 2
DATE	SHEET	NO.	BY
06/20/24		1	JBC
REVISION	DESCRIPTION	REVISION	DESCRIPTION
1	06/20/24	1	06/20/24
NO.	DATE	NO.	DATE
SUMMARY OF ESTIMATED QUANTITIES			
OLD HAMMOND HIGHWAY - SEGMENT 1 S. FLANNERY TO GOODWOOD			

SUMMARY OF ESTIMATED QUANTITIES			
ITEM	DESCRIPTION	PAY UNIT	QUANTITY
7020101	SINGLE CURB INLET (702-01)	EACH	8
7020201	DOUBLE CURB INLET (702-02)	EACH	2
7020310	RETICULINE GRATE INLET (702-12)	EACH	8
7020311	GRATE INLET (702-20)	EACH	2
7020802	CONCRETE JUNCTION BOX (702-31)	EACH	5
7030104	4" PERFORATED PIPE UNDERDRAIN	LIN. FT.	1150
7050124	24" THICK RIP-RAP (130 LB)	SQ. YD.	2647
8010108	8" PLASTIC SEWER PIPE	LIN. FT.	280
8020100	SEWER MANHOLE	EACH	3
8033000	ADJUSTING SEWER MANHOLE	EACH	1
8068000	MANHOLE COVER VENT SYSTEM	EACH	1
9030200	TEMPORARY HAY BALES	EACH	182
9030500	TEMPORARY SILT FENCING	LIN. FT.	1925
9030800	SEED	LB.	24
9030900	FERTILIZER	LB.	80
9031000	WATER	MGAL.	19.36
9051600	STORM WATER POLLUTION PREVENTION PLAN	LUMP SUM	LUMP
9050100	TEMPORARY SIGNS AND BARRICADES	LUMP SUM	LUMP
9050200	TRAFFIC SIGNS	SQ. FT.	35.75
9050400	OBJECT MARKER	EACH	4
9050600	TEMPORARY TRAFFIC STRIPING	LUMP SUM	LUMP
9050804	PLASTIC TRAFFIC STRIPING (4" WIDTH)	LIN. FT.	6045.8
9050808	PLASTIC TRAFFIC STRIPING (8" WIDTH)	LIN. FT.	148
9050824	PLASTIC TRAFFIC STRIPING (24" WIDTH)	LIN. FT.	515
9051001	PLASTIC LEGENDS AND SYMBOLS ("SINGLE HEAD ARROW")	EACH	2
9051002	PLASTIC LEGENDS AND SYMBOLS ("DOUBLE HEAD ARROW")	EACH	2
9051003	PLASTIC LEGENDS AND SYMBOLS ("ONLY")	EACH	2
9051100	RAISED PAVEMENT MARKERS	EACH	82
9060100	TRAFFIC SIGNAL SYSTEM	LUMP SUM	LUMP
9070101	INTEGRAL CONCRETE CURB (MOUNTABLE)	LIN. FT.	167
9070106	INTEGRAL CONCRETE CURB (6" BARRIER)	LIN. FT.	1190
9070305	5" CONCRETE WALK	SQ. YD.	217.4
9070406	6" CONCRETE DRIVES	SQ. YD.	1245.5
9090100	MOBILIZATION	LUMP SUM	LUMP
9120100	TEMPORARY DETOUR ROAD	SQ. YD.	591
9140100	PRE-CONSTRUCTION VIDEO	LUMP SUM	LUMP
9900004	PAVEMENT ADJUSTMENT (FUELS)	DOLLAR	10000.0
9900006	TRUNCATED DOME INSET	SQ. YD.	28.6
9900011	DYNAMIC MONITORING	EACH	2
9900013	VIBRATION MONITORING	EACH	56
9900030	ASPHALT CONCRETE PAVEMENT (WEARING COURSE LEVEL 2F)	TON	181.1
9900031	ASPHALT CONCRETE PAVEMENT (BINDER COURSE LEVEL 2)	TON	181.1

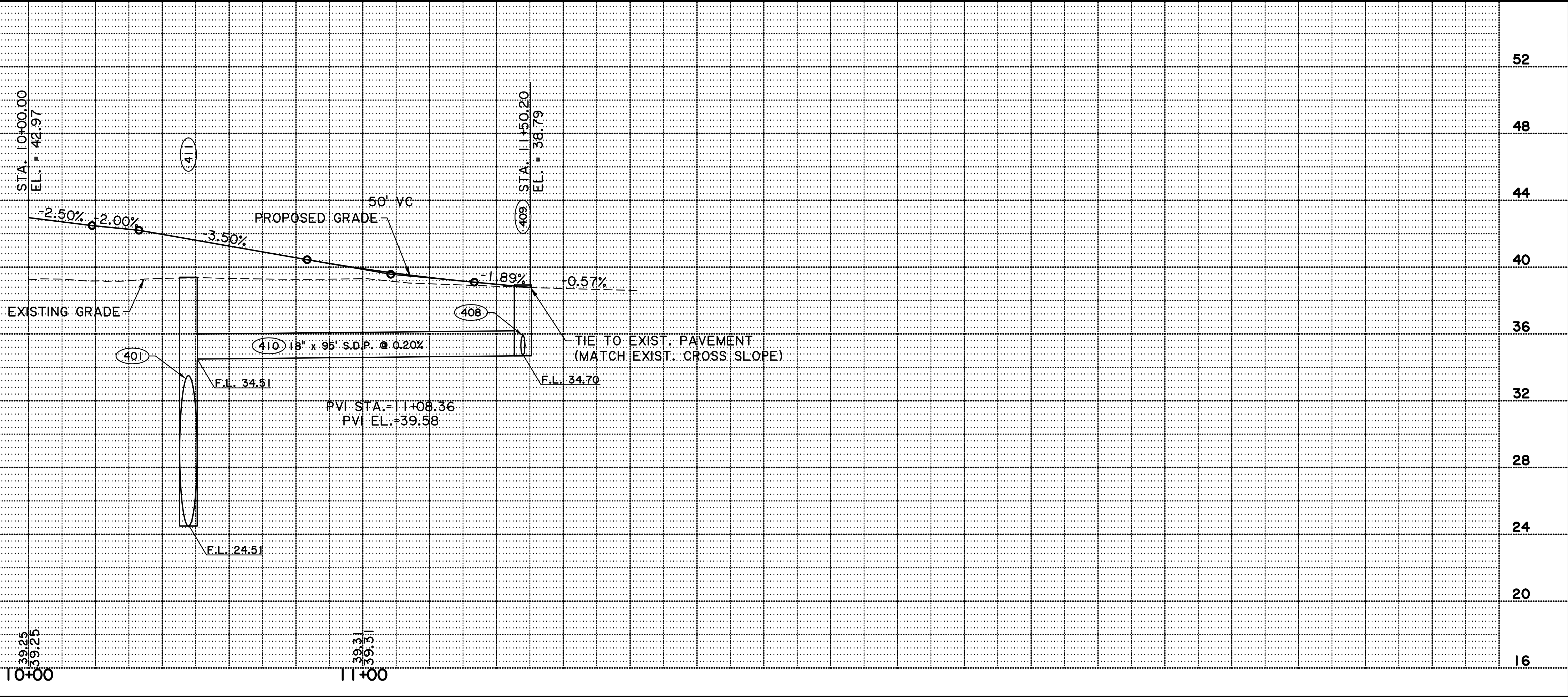


SHEET NUMBER		2a	
PARISH		EAST BATON ROUGE	
CITY PROJECT		I2-CS-HC-0043A	
STATE PROJECT		----	
DESIGNED	MAK	DATE	12-07-2023
CHECKED	CAB	SHEET	2 of 2
DETAILED	JBC	NO.	1
CHECKED	CAB	DATE	06/20/24
REVISED VARIOUS ITEMS		JBC	BY
REVISION DESCRIPTION			
SUMMARY OF ESTIMATED QUANTITIES OLD HAMMOND HIGHWAY - SEGMENT 1 S. FLANNERY TO GOODWOOD			



SCALES:
 1" = 20' HOR
 1" = 4' VER

LEGEND	
	EXIST. PAVEMENT TO BE REMOVED
	PCC PAVEMENT
	ASPHALT PAVEMENT



SHEET NUMBER	7
PARISH	EAST BATON ROUGE
CITY PROJECT	12-CS-HC-0043A
STATE PROJECT	----
DESIGNED	MJK
CHECKED	CAB
DATE	12-07-2023
REVISION	4 of 4
REVISED TEMP. LANE SECTION DETAIL	JBC
REVISION DESCRIPTION	BY
DATE	06/20/24
NO.	1

PLAN & PROFILE

OLD HAMMOND HIGHWAY - SEGMENT 1 S. FLANNERY TO GOODWOOD

BR CITY OF BATON ROUGE
 PART OF BATON ROUGE

FORTE TABLADA

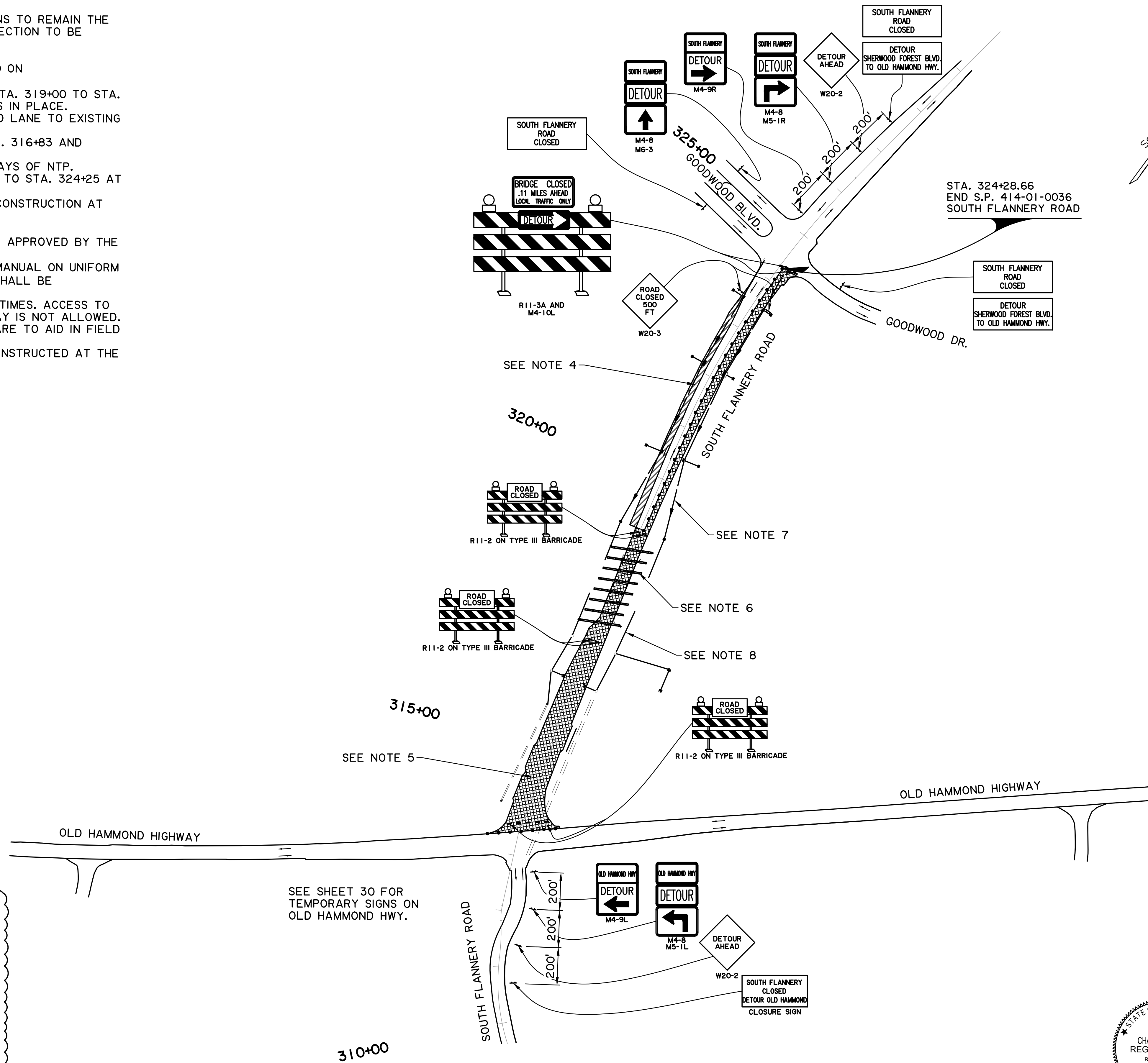
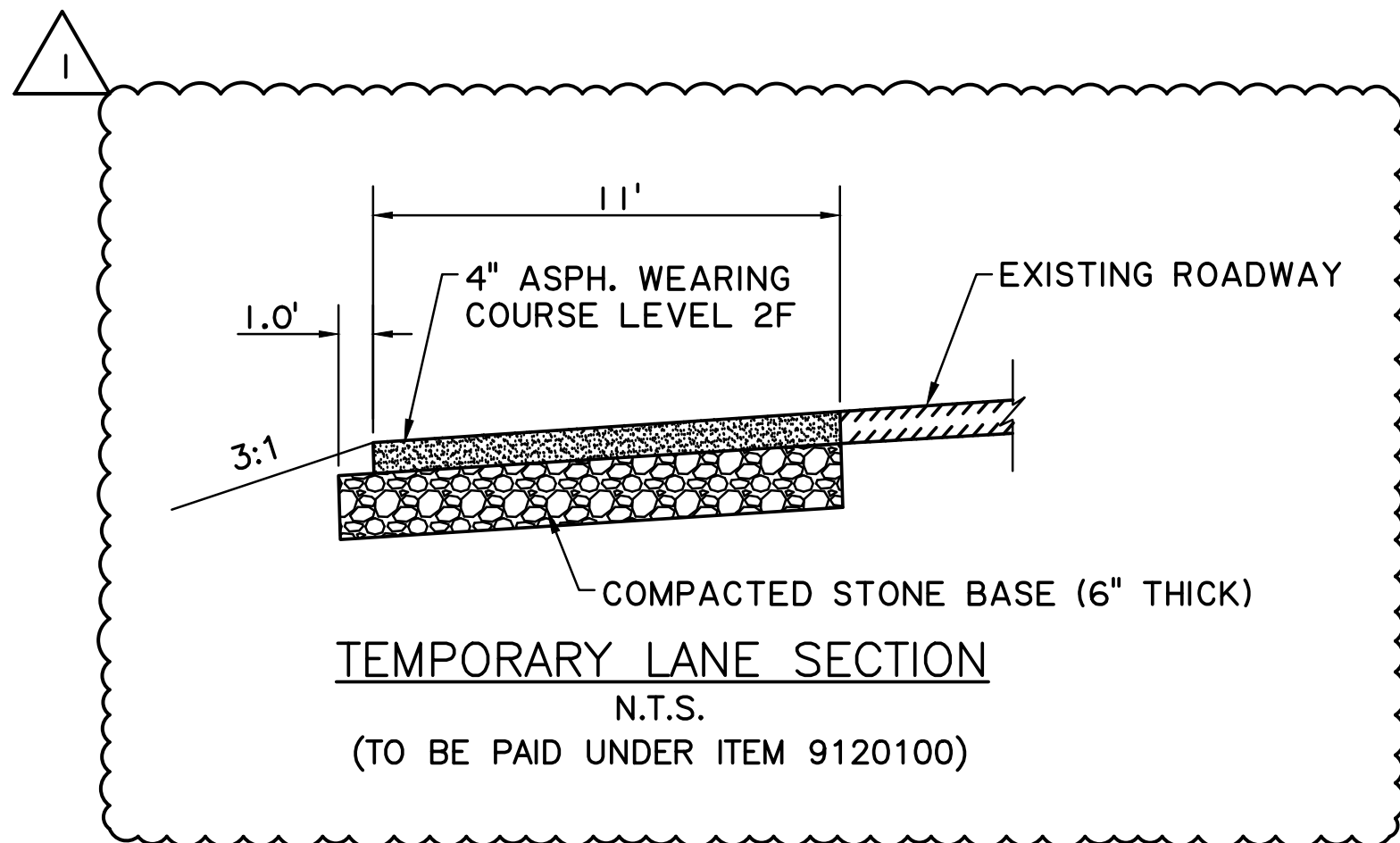
PHASE I

- PLACE CONSTRUCTION SIGNING ON PROJECT AS SHOWN. TRAFFIC PATTERNS TO REMAIN THE SAME ON OLD HAMMOND HWY. SOUTH FLANNERY ROAD NORTH OF INTERSECTION TO BE CLOSED TO THRU TRAFFIC (SEE SHEET 30 FOR DETOUR).
- REMOVE EXISTING DRAINAGE STRUCTURES THAT ARE NOT TO REMAIN.
- CONSTRUCT DRAINAGE ON WEST SIDE FROM STA. 319+00 TO STA. 323+70 ON SOUTH FLANNERY ROAD.
- CONSTRUCT 11' TEMPORARY LANE ON WEST SIDE OF SOUTH FLANNERY STA. 319+00 TO STA. 323+70. CONTRACTOR TO MAINTAIN DRAINAGE WHILE TEMPORARY LANE IS IN PLACE.
- MOVE SOUTHBOUND TRAFFIC TO NEW TEMPORARY LANE AND NORTHBOUND LANE TO EXISTING SOUTHBOUND LANE.
- REMOVE EXISTING ROAD ON SOUTH FLANNERY ROAD STA. 313+27 TO STA. 316+83 AND EXISTING NORTHBOUND LANE FROM STA. 319+00 TO STA. 324+25.
- REMOVE EXISTING BRIDGE AND BEGIN BRIDGE CONSTRUCTION WITHIN 90 DAYS OF NTP.
- BEGIN DRAINAGE CONSTRUCTION ON SOUTH FLANNERY ROAD STA. 313+27 TO STA. 324+25 AT OUTFALL (AFTER BRIDGE PILES HAVE BEEN CONSTRUCTED).
- UPON COMPLETION OF BRIDGE PILES CONTRACTOR TO BEGIN DRAINAGE CONSTRUCTION AT OUTFALLS AT LIVELY BAYOU.

GENERAL NOTES

- ANY CHANGES TO THE SUGGESTED SEQUENCE OF CONSTRUCTION MUST BE APPROVED BY THE PROJECT ENGINEER PRIOR TO IMPLEMENTATION.
- MINIMUM CONSTRUCTION SIGNING. ANY ADDITIONAL SIGNS SHOWN IN THE "MANUAL ON UNIFORM TRAFFIC CONTROL DEVICES" AND REQUIRED BY THE PROJECT ENGINEER SHALL BE INSTALLED.
- ACCESS TO SIDE ROADS AND DRIVEWAYS SHALL BE MAINTAINED AT ALL TIMES. ACCESS TO SIDE ROADS AND DRIVEWAYS SOUTH OF BRIDGE TO OLD HAMMOND HIGHWAY IS NOT ALLOWED.
- ALL SIGN LOCATIONS AND DIMENSIONS ARE NOT TO SCALE. DIMENSIONS ARE TO AID IN FIELD PLACEMENT OF SIGNAGE.
- ALL SIDEWALK AND SHARED USE PATH PAVING IF NOT NOTED MAY BE CONSTRUCTED AT THE TIME OF CONTRACTORS CHOOSING.

LEGEND	
	PROPOSED ROAD CONSTRUCTION
	PAVEMENT TO BE REMOVED
	TEMPORARY LANE
	CHANNELIZING DEVICES
	TRAFFIC FLOW



Scale: 1" = 100'

STATE OF LOUISIANA
 CHAD A. BACAS
 REG. No. 28786
 REGISTERED PROFESSIONAL ENGINEER
 CIVIL ENGINEERING
 12/07/23

SHEET NUMBER	25
PROJECT	EAST BATON ROUGE
CITY PROJECT	12-CS-HC-0043A
STATE PROJECT	----
DESIGNED	MAK
CHECKED	CAB
DETAILED	JBC
CHECKED	JBC
DATE	12-07-2023
SHEET	1 of 5
REVISED TEMP. LANE SECTION DETAIL	JBC
REVISION DESCRIPTION	BY
NO.	
DATE	06/20/24

SEQUENCE OF CONSTRUCTION

OLD HAMMOND HIGHWAY - SEGMENT I S. FLANNERY TO GOODWOOD

BR CITY OF BATON ROUGE

FORTE TABLADA