



Bid Number 50-00149077

**Purchase of Cetenary Rake Materials for the Jefferson Parish
Department of Drainage**

BID DUE: DECEMBER 04, 2025 @ 11: 00 A.M.

ATTENTION VENDORS!!!

Please review all pages and respond accordingly, complying with all provisions in the technical specifications and Jefferson Parish Instructions for Bidders and General Terms and Conditions. All bids must be received on the Purchasing Department's eProcurement site, <https://www.jeffparish.gov/464/Purchasing>, by the bid due date and time. Late bids will not be accepted.

**Jefferson Parish Purchasing Department
200 Derbigny Street
General Government Building, Suite 4400
Gretna, LA 70053**

**Purchasing Specialist Name: DONNA M EVANS
Purchasing Specialist Email: Donna.Evans@jeffparish.gov
Purchasing Specialist Phone: 504-364-2691**

INVITATION TO BID
THIS IS NOT AN ORDER

Page: 1

DATE: 11/19/2025

BID NO: 50-00149077

JEFFERSON PARISH

PURCHASING DEPARTMENT
P.O. BOX 9
GRETNA, LA. 70054-0009
504-364-2678

PURCHASING SPECIALIST:
@jeffparish.gov

BIDS WILL BE RECEIVED ONLINE VIA WWW.JEFFPARISHBIDS.NET UNTIL 2:00 PM, 12/04/2025 AND PUBLICLY OPENED THEREAFTER IN THE WEST BANK PURCHASING DEPT, SUITE 4400, JEFFERSON PARISH GENERAL GOVERNMENT BUILDING, 200 DERBIGNY STREET, GRETNA, LA 70053. At no charge, bidders are to submit their bid via Jefferson Parish's electronic procurement page. Additional instructions are included in the text box highlighting electronic procurement.

LATE BIDS WILL NOT BE ACCEPTED

NOTE: ONLY BIDS WRITTEN IN INK OR TYPEWRITTEN, AND PROPERLY SIGNED BY A MEMBER OF THE FIRM OR AUTHORIZED REPRESENTATIVE, WILL BE ACCEPTED. PENCIL AND/OR PHOTOSTATIC FIGURES FOR SIGNATURES SHALL RESULT IN BID REJECTION. HOWEVER, ELECTRONIC SIGNATURES AS DEFINED IN La. R.S. 9:2602(8) ARE ACCEPTABLE. IN ACCORDANCE WITH La. R.S. 9:2602(8), JEFFERSON PARISH REQUIRES A SECURED DIGITAL SIGNATURE AND BIDDERS MUST PROVIDE PROOF OF THE SECURED SIGNATURE WITH BID SUBMISSION.

INSTRUCTIONS FOR BIDDERS AND GENERAL CONDITIONS

- A. All bids submitted are subject to these instructions and general conditions and any special conditions and specifications contained herein, and in the terms and conditions of Resolution No. 136353 and/or Resolution No. 141125, all of which are made part of this bid proposal and ensuing contract by reference. By submitting a bid, vendor agrees to comply with all provisions of Louisiana Law as well be in compliance with the Jefferson Parish Code of Ordinances ("JPCO"), Louisiana Code of Ethics, and applicable Jefferson Parish ethical standards.
- B. The General Conditions for construction projects (141125) and the General Conditions for the purchase of materials, services and/or supplies (136353) are those adopted by the Jefferson Parish Council by Resolution No. 136353 and Resolution No. 141125, respectively. The General Conditions adopted by these resolutions shall be considered as much a part of this document and the ensuing contract or P.O. as if they were written wholly herein. A copy of each may be obtained from the Office of the Parish Clerk, Suite 6700, Jefferson Parish General Government Building, 200 Derbigny Street, Gretna, LA 70053. You may also obtain a copy of each by visiting the Purchasing Department webpage at <http://www.jeffparish.gov/464/Purchasing> and clicking on Online Forms.
- C. Jefferson Parish adheres to the Louisiana Code of Governmental Ethics, contained in La. R.S. 42:1101, et seq. Vendor/Proposer by this submission, warrants that there are no "conflicts of interest" related to this procurement that would violate applicable Louisiana Law. Violation of the Louisiana Code of Governmental Ethics may result in rescission of contract, permit or licenses, and the imposition of fines and/or penalties, without contractual liability to the public in accordance with applicable law.
- D. All vendors submitting bids should register as a Jefferson Parish vendor if not already yet registered. Registration forms may be downloaded from <http://www.jeffparish.gov/464/Purchasing> and by clicking on Vendor Information. Current W-9 forms with respective Tax Identification numbers and vendor applications may be submitted at any time; however, if your company is not registered and/or a current W-9 form is not on file, vendor registration is mandatory. Vendors may experience a delay in payment if your company is not a registered vendor with Jefferson Parish.
- E. All quotations shall be based on F.O.B. Agency warehouse or job site (see Additional Requirements section), anywhere within the Parish as designated by the Purchasing Department. This provision does not apply to Public Works projects.
- F. Jefferson Parish requires all products to be new (current) and all work must be performed according to standard practices for the project. Unless otherwise specified, no aftermarket parts will be accepted. Unless otherwise specified, all workmanship and materials must have at least one (1) year guaranty, in writing, from the date of delivery and/or acceptance of the project. Any deviations or alterations from the specifications must be indicated on the bid form with bid submission. Supporting documentation may be required upon request.

Visit our website at [HTTP://JEFFPARISH.GOV/464/PURCHASING](http://JEFFPARISH.GOV/464/PURCHASING)

DATE: 11/19/2025

BID NO: 50-00149077

- G. Bidders should submit all questions in writing via email to the Purchasing Specialist's email address as indicated above, no later than five (5) working days prior to the bid opening. Bid numbers must be mentioned in all requests. If submitting online, vendors may send questions via the E-Procurement site no later than five (5) working days prior to the bid opening. The Purchasing Department will issue a written response to bidders' questions in the form of an Addendum. Please note that all official communication will be expressed in the form of an addendum.
- H. All formal Addenda require written acknowledgement on the bid form by the bidder. Failure to acknowledge any Addendum on the bid form shall cause the bid to be rejected. Jefferson Parish reserves the right to award bid to next lowest responsive and responsible bidder in this event.
- I. If this bid requires a pre-bid conference (see Additional Requirements section), bidders are advised that such conference will be held to allow bidders the opportunity to identify any discrepancies in the bid specifications and seek further clarification regarding instructions.
- J. JEFFERSON PARISH WILL ACCEPT ONE BID ONLY FROM EACH VENDOR. Items bid must meet specifications. JEFFERSON PARISH WILL ACCEPT ONE PRICE FOR EACH ITEM UNLESS OTHERWISE INDICATED. Two or more prices for one item will result in bid rejection. Bidders are required to complete, sign and return the bid form and/or complete and return the associated line-item pricing forms as indicated. Vendors must not alter the bid forms. Doing so will cause the bid to be rejected.
- K. Written evidence of the authority of the individual signing the bid having such authority must be submitted with the bid. Failure to comply will cause bid to be rejected. Acceptable written evidence may be a printout of the Louisiana Secretary of State's website listing the signatory as an officer or a manager. Such printout shall be included with the bid submission. Bids submitted by Owners or Sole Proprietorships must include certification that he or she owns the entity for which the bid is signed. This documentation must be submitted with the bid. Failure to do so will result in bid rejection. A sample corporate resolution can be downloaded from our website <http://www.jeffparish.gov/464/Purchasing> or you may provide your own document. A sample certification of sole proprietorship can also be downloaded from our website <http://www.jeffparish.gov/464/Purchasing> or you may provide your own document.
- L. AWARD OF CONTRACT: Jefferson Parish reserves the right to award contracts or place orders on a lump sum or individual item basis, or such combination, as shall in its judgment be in the best interest of Jefferson Parish. Every contract or order shall be awarded to the LOWEST RESPONSIVE and RESPONSIBLE BIDDER, taking into consideration the CONFORMITY WITH THE SPECIFICATIONS and the DELIVERY AND/OR COMPLETION DATE. SPLIT AWARDS MADE TO SEVERAL VENDORS WILL ONLY BE GRANTED TO THOSE DEEMED RESPONSIVE AND RESPONSIBLE.
- a. All bid prices shall remain valid for 45 days. Jefferson Parish and the lowest responsive and responsible bidder(s) by mutual written consent may mutually agree to extend the deadline for award by one (1) or more extensions of thirty (30) calendar day increments.
 - b. PROTESTS: Only those vendors that submit bids in response to this solicitation may protest any element of the procurement, in writing to the Director of the Purchasing Department. Written protest must be received within 48 hours of the release of the bid tabulation by the Purchasing Department. After consultation, the Parish Attorney's Office will then respond to protests in writing. (For more information, please see Chapter 2, Article VII, Division 2, Sec. 2-914.1 of the Jefferson Parish Code of Ordinances.)
 - c. PREFERENCE: Unless federal funding is directly spent by Jefferson Parish for this purchase, preference is hereby given to materials, supplies, and provisions produced, manufactured or grown in Louisiana, quality being equal to articles offered by competitors outside the state. "LSA – R.S. 38:2251-2261"
- M. USE OF BRAND NAMES AND STOCK NUMBERS: Where brand names and stock numbers are specified, it is for the purpose of establishing certain minimum standards of quality. Bids may be submitted for products of equal quality, provided brand names and stock numbers are specified. Complete product data may be required prior to award.
- N. CANCELLATION OF CONTRACT: JEFFERSON PARISH reserves the right to cancel all or any part if not shipped promptly. No charges will be allowed for parking or cartage unless specified in quotation. The order must not be filled at a higher price than quoted. JEFFERSON PARISH reserves the right to cancel any contract at any time and for any reason by issuing a THIRTY (30) day written notice to the contractor.
- a. For good cause and as consideration for executing a contract with Jefferson Parish, vendor conveys, sells, assigns and transfers to Jefferson Parish or its assigns all rights, title and interest in and to all causes of action it may now or hereafter acquire under the antitrust laws of the United States and the State of Louisiana, relating to the particular good or services purchased or acquired by Jefferson Parish.
- O. PRICES: Jefferson Parish is exempt from paying sales tax under La. R.S. 47:301 (8)(c). All prices for purchases by Jefferson Parish of supplies and materials shall be quoted in the unit of measure specified and, unless otherwise specified, shall be exclusive of state and local taxes. The price quoted for work shall be stated in figures no more than four (4) decimal points. In the event there is a difference in unit prices and totals, the unit price shall prevail.
- a. Quantities listed are for bidding purposes only. Actual requirements may be more or less than quantities listed.

Visit our website at [HTTP://JEFFPARISH.GOV/464/PURCHASING](http://JEFFPARISH.GOV/464/PURCHASING)

INSTRUCTIONS FOR BIDDERS AND GENERAL CONDITIONS

- P. ANTI- DISCRIMINATION: Bidders are not to exclude from participation in, deny the benefits of, or subject to discrimination under any program or activity, any person in the United States on the grounds of race, color, national origin, or sex; nor discriminate on the basis of age under the Age Discrimination Act of 1975, or with respect to an otherwise qualified handicapped individual as provided in Section 504 of the Rehabilitation Act of 1973, or on the basis of religion, except that any exemption from such prohibition against discrimination on the basis of religion as provided in the Civil Rights Act of 1964, or Title VI and VII of the Act of April 11, 1968, shall also apply. This assurance includes compliance with the administrative requirements of the Revenue Sharing final handicapped discrimination provisions contained in Section 51.55 (c), (d), (e), and (k)(5) of the Regulations. New construction or renovation projects must comply with Section 504 of the 1973 Rehabilitation Act, as amended, in accordance with the American National Standard Institute's specifications (ANSI A17.1-1961).
- a. In accordance with La. R.S. 38:2216.1, Jefferson Parish is prohibited from entering into a contract with a value of \$100,000 or more with a company for the purchase of goods or services unless the contract contains a written verification from the company of both of the following: 1) The company does not have a practice, policy, guidance, or directive that discriminates against a firearm entity or firearm trade association based solely on the entity's or association's status as a firearm entity or firearm trade association. 2) The company will not discriminate against a firearm entity or firearm trade association during the term of the contract based solely on the entity's or association's status as a firearm entity or firearm trade association. As a result, the awarded bidder will be required to verify the above in the ensuing contract.
- Q. INSPECTOR GENERAL: It shall be the duty of every parish officer, employee, department, agency, special district, board, and commission: and the duty of every contractor, subcontractor, and licensee of the parish, and the duty of every applicant for certification of eligibility for a parish contract or program, to cooperate with the Inspector General in any investigation, audit, inspection, performance review, or hearing pursuant to JPCO 2-155.10(19). By signing this document, every corporation, partnership, or person contracting with PARISH, whether by cooperative endeavor, intergovernmental agreement, bid, proposal, application or solicitation for a parish contract, and every application for certification of eligibility for a parish contract or program, attests that it understands and will abide by all provisions of JPCO 2-155.10.
- R. Proof of Cyber Security Training may be required for the successful bidder. Pursuant to La. R.S. 42:1267, any contractor who has access to state or local government information technology assets is required to complete cybersecurity training during the term of the contract and during any renewal period. As a Parish contractor, you are responsible for taking the cyber training, whether from the State or another source. After completion of said training please forward proof to your contract monitor/Parish contact.

Jefferson Parish and its partners as the recipients of federal funds are fully committed to awarding a contract(s) to firm(s) that will provide high quality services and that are dedicated to diversity and to containing costs. Thus, Jefferson Parish strongly encourages the involvement of minority and/or woman-owned business enterprises (DBE's, including MBE's, WBE's and SBE's) to stimulate participation in procurement and assistance programs.

The purpose and intention of this invitation to bid is to afford all suppliers an equal opportunity to bid on all construction, maintenance, repair, operating supplies and/or equipment listed in this bid proposal.

Advertised bids will be tabulated and a copy of the tabulation will be forwarded to each responding bidder after nine (9) working days.

INSTRUCTIONS FOR BIDDERS AND GENERAL CONDITIONS**IN ACCORDANCE WITH STATE REGULATIONS JEFFERSON PARISH OFFERS ELECTRONIC PROCUREMENT TO ALL VENDORS**

This electronic procurement system allows vendors the convenience of reviewing and submitting bids online. This is a secure site and authorized personnel have limited read access only. Bidders are to submit electronically using this free service; while the website accepts various file types, one single PDF file containing all appropriate and required bid documents is preferred. Bidders submitting uploaded images of bid responses are solely responsible for clarity. If uploaded images/documents are not legible, then bidder's submission will be rejected. Please note all requirements contained in this bid package for electronic bid submission.

Please visit our E-Procurement Page at www.jeffparishbids.net to register and view Jefferson Parish solicitations. For more information, please visit the Purchasing Department page at <http://www.jeffparish.gov/464/Purchasing>.

ADDITIONAL REQUIREMENTS FOR THIS BID

PLEASE MATCH THE NUMBERS PRINTED IN THIS BOX WITH THE CORRESPONDING INSTRUCTIONS BELOW. IF THE NUMBER IS NOT SPECIFIED IN THIS BOX, IT IS NOT APPLICABLE FOR THIS BID.

13,14

1. **MANDATORY PRE-BID** - All bidders must attend the **MANDATORY** pre-bid conference and will be required to sign in and out as evidence of attendance. In accordance with LA.R.S. 38:2212(l), all prospective bidders shall be present at the beginning of the **MANDATORY** pre-bid conference and shall remain in attendance for the duration of the conference. Any prospective bidder who fails to attend the conference or remain for the duration shall be prohibited from submitting a bid for the project.
2. **NON-MANDATORY PRE-BID** - Attendance to this pre-bid conference is optional. However, failure to attend the pre-bid conference shall not relieve the bidder of responsibility for information discussed at the conference. Furthermore, failure to attend the pre-bid conference and inspection does not relieve the successful bidder from the necessity of furnishing materials or performing any work that may be required to complete the work in accordance with the specification with no additional cost to the owner.
3. **JP LICENSE** - Contractor must hold current applicable JEFFERSON PARISH licenses with the Department of Building Permits. Contractor shall obtain any and all permits required by the JEFFERSON PARISH Department of Building Permits. The contractor shall be responsible for the payment of these permits. All permits must be obtained prior to the start of the project. Contractor must also hold any and all applicable municipality, Federal and/or State licenses. Contractor shall be responsible for the payment of these permits and shall obtain them prior to the start of the project.
4. **LSCB LICENSE** - A LA State Contractor's License will be required in accordance with LA.R.S. 37:2150 et. seq. and such license number must be entered in the appropriate field in the electronic procurement system. Failure to comply will cause the bid to be rejected.
5. **SITE VISIT** - It is the bidder's responsibility to visit the job site and evaluate the job before submitting a bid.
6. **JOB SITE CLEANLINESS** - Job site must be clean and free of all litter and debris daily and upon completion of the contract. Passageways must be kept clean and free of material, equipment, and debris at all times. Flammable material must be removed from the job site daily because storage will not be permitted on the premises. Precautions must be exercised at all times to safeguard the welfare of JEFFERSON PARISH and the general public.

Visit our website at [HTTP://JEFFPARISH.GOV/464/PURCHASING](http://JEFFPARISH.GOV/464/PURCHASING)

INSTRUCTIONS FOR BIDDERS AND GENERAL CONDITIONS

7. PUBLIC WORKS BIDS - All awards for public works in excess of \$5,000.00 will be reduced to a formal contract which shall be recorded at the contractor's expense with the Clerk of Court and Ex-Officio Recorder of Mortgages for the Parish of Jefferson. A price list of recordation costs may be obtained from the Clerk of Court and Ex-Officio Recorder of Mortgages for the Parish of Jefferson. All awards in excess of \$25,000.00 will require both a performance and a payment bond. Unless otherwise stated in the bid specifications, the performance bond requirements shall be 100% of the contract price. Unless otherwise state in the bid specifications, the payment bond requirements shall be 100% of the contract price. Both bonds shall be supplied at the signing of the contract.
8. NON-PUBLIC WORKS BIDS - A performance bond will be required for this bid. The amount of the bond will be 100% of the contract price unless otherwise indicated in the specifications. The performance bond shall be supplied at the signing of the contract.
9. NON-PUBLIC WORKS BIDS - A payment bond will be required for this bid. The amount of the bond will be 100% of the contract price unless otherwise indicated in the specifications. The payment bond shall be supplied at the signing of the contract.
10. INSURANCE - All bidders must comply with the requirements stated in the attached "Standard Insurance Requirements" sheet attached to this bid solicitation. Any deviation from the Standard Insurance Requirements must be requested in writing prior to bid opening. Proof of coverage will be required prior to award. Failure to comply with this instruction will result in bid rejection.
11. BID BOND - A bid bond will be required with bid submission in the amount of 5% of the total bid, unless otherwise stated in the bid specifications. Vendors must submit an electronic bid bond through the respective online clearinghouse bond management system(s) as indicated in the electronic bid solicitation on Central Auction House. No scanned paper copies of any bid bond will be accepted as part of the electronic bid submission.
12. AS-NEEDED WORK - This is a requirements-based contract to be provided on an as needed basis. JEFFERSON PARISH makes no representations on warranties with regard to minimum guaranteed quantities unless otherwise stated in the bid specifications.
13. FREIGHT - Freight charges should be included in total cost when quoting. If not quoted FOB DELIVERED, freight must be quoted as a separate item. Bid may be rejected if not quoted FOB DELIVERED or if freight charges are not indicated on bid form.
14. AFFIDAVIT - Completed, Signed and Properly Notarized Affidavits Required; This applies to all solicitations in conformity with the provisions contained in LA.R.S. 38:2212.9, LA.R.S. 38:2212.10, LA.R.S. 38:2224, and Sec 2-923.1 of the Jefferson Parish Code of Ordinances. For bidding purposes, all bidders must submit with bid submission COMPLETED, SIGNED and PROPERLY NOTARIZED Affidavits, including: Non-Conviction Affidavit, Non-Collusion Affidavit, Campaign Contribution Affidavit, Debt Disclosures Affidavit and E-Verify Affidavit. For the convenience of vendors, all affidavits have been combined into one form entitled GENERIC BID AFFIDAVIT. This affidavit must be submitted in its original format, and without material alteration, in order to be compliant and for the bid to be considered responsive. A scanned copy of the completed, signed and properly notarized affidavit may be submitted with the bid, however, the successful bidder must submit the original affidavit in its original format and without material alteration upon contract execution. Failure to comply will result in the bid submission being rejected as non-responsive. The Parish reserves the right to award bid to the next lowest responsive and responsible bidder in this event.
15. FEDERAL FUNDING - The ensuing contract for this bid solicitation may be eligible for FEMA reimbursement and/or Federal funding/reimbursement. As such, the referenced appendix will be applicable accordingly and shall be considered a part of the bid documents and ensuing contract. All applicable certifications must be duly completed, signed and submitted as per the appendix instructions. Failure to submit applicable certifications per the appendix instruction will result in bid rejection.
16. TAX EXEMPT - For this project, the Contractor shall not pay any state or local sales or use taxes on materials and equipment which are affixed and made part of the immovable property of the project or which is permanently incorporated in the project (hereinafter referred to as "applicable materials and equipment"). All purchases of applicable materials or equipment shall be made by the contractor on behalf of and as the agent of Jefferson Parish (Owner), a political subdivision of the State of Louisiana. No state and local sales and use taxes are owed on applicable materials and equipment under the provisions of Act 1029 of the 1991 Regular Session – Louisiana Revised Statute 47:301(8)(c). Owner will furnish to contractor a certificate form which certifies that Owner is not required to pay such state or local sales and use taxes, and contractor shall furnish a copy of such certificate to all vendors or suppliers of the applicable materials and equipment, and report to Owner the amount of taxes not incurred.
17. TECH AFFIDAVIT - The Technology Affidavit is required for this solicitation and shall be submitted with the bid submission. Failure to do so will result in your bid being rejected. Pursuant to La. R.S. 38:2237.1, prior to the procurement of telecommunications or video surveillance equipment or services, the vendor shall provide documentation by affidavit that the equipment or services to be procured are not prohibited telecommunications or video surveillance equipment or services as defined in R.S. 39:1753.1(A). This affidavit is supplied as a courtesy to Affiant. It is the responsibility of the affiant to insure the affidavit submitted to Jefferson Parish complies, in both form and content, with federal, state and parish laws. No procurement shall be made from a vendor or other entity who fails to provide the documentation; any procurement in contravention to this requirement shall be null and void by law.

BID FORM
Non Public Works

All Public Work Projects are required to use the Louisiana Uniform Public Work Bid Form

All prices must be held firm throughout the entirety of the contract. However, bidders may request that an escalation provision be added to their contract by selecting "yes" below. The escalation provision in the contract will state that only one escalation will be allowed during the term of the contract, and the escalation shall take effect only after the initial 12 month period of the contract. A vendor with an escalation provision in their contract must submit a request in writing to activate the provision, but should not do so any sooner than the first day of the 13th month of their contract. The escalation percentage shall be limited to the most recently published CPI figure issued at the time an adjustment is requested by bidder based on the U.S. Bureau of Labor Statistics National Index for all Urban Consumers, unadjusted 12 month figure.

Are you requesting an escalation provision?

YES _____ NO _____

For the purposes of comparison of bids when an escalation provision is requested, Jefferson Parish will apply the maximum escalation percentage quoted by the bidder to the period to which it is applied in the bid. The initial price and the escalation will be used to calculate the total bid price. It will be assumed, for comparison of prices only, that an equal amount of material or labor is purchased each month throughout the entire contract.

DELIVERY: FOB JEFFERSON PARISH

INDICATE DELIVERY DATE ON EQUIPMENT AND SUPPLIES _____

LOUISIANA CONTRACTOR'S LICENSE NO.: (if applicable) _____

THIS SECTION MUST BE COMPLETED BY BIDDER:

FIRM NAME: _____

ADDRESS: _____

CITY, STATE: _____ ZIP: _____

TELEPHONE: () _____

E-MAIL: _____

In the event that addenda are issued with this bid, bidders **MUST** acknowledge all addenda on the bid form. Bidder must acknowledge receipt of an addendum on the bid form by placing the addendum number as indicated. Failure to acknowledge any addendum on the bid form will result in bid rejection.

Acknowledge Receipt of Addenda: NUMBER: _____

NUMBER: _____

NUMBER: _____

NUMBER: _____

TOTAL PRICE OF ALL BID ITEMS: \$ _____

AUTHORIZED

SIGNATURE: _____

Printed Name

TITLE: _____

SIGNING INDICATES YOU HAVE READ AND COMPLY WITH THE INSTRUCTIONS AND CONDITIONS.

NOTE: All bids should be returned with the BID NUMBER and BID OPENING DATE indicated on the outside of the envelope submitted to the Purchasing Department.

INVITATION TO BID FROM JEFFERSON PARISH - continued

BID NO.: 50-00149077

SEALED BID

ITEM NUMBER	QUANTITY	U/M	DESCRIPTION OF ARTICLES	UNIT PRICE QUOTED	TOTALS
1	3.00	EA	PURCHASE PF CATENARY RAKE MATERIALS FOR THE JEFFERSON PARISH DEPARTMENT OF DRAINAGE 0010 GEAR-MOTOR ASSEMBLY MODEL: SK73/22 VL-90LP/4-CUSTW *FOR USE AT HARVEY PUMP STATION (TO BUILD NEW CATEMARY RAKE SYSTEM) DELIVER TO: WESTBANK PUMP STATION WAREHOUSE 5100 ROCHESTER DR. MARRERO, LA 70072 ATTN: BEN LEPINE ***** SEE ATTACHED SPECIFICATIONS *****	\$	\$
2	3.00	EA	0020 DRIVE SPROCKET W. SHEAR PIN MODEL# 1031SP11H2.5K	\$	\$
3	3.00	EA	0030 DRIVEN SPROCKET MODEL# H1031C34H4BOR	\$	\$
4	180.00	EA	0040 DRIVE CHAIN MODEL# US-1031	\$	\$
5	12.00	EA	0050 IDLE SPROCKET	\$	\$
6	12.00	EA	0060 PILLOW BLOCK BEARING MODEL# PB22464	\$	\$
7	500.00	EA	0070 IDLE CHAIN MODEL# D963R	\$	\$

PURCHASE OF CATENARY RAKE MATERIALS

The intent of this specification is to define the minimum requirements of the Parish of Jefferson Drainage Department for the purchase and delivery of the following items in this specification. A bid is a guarantee by the vendor of all specifications being met.

1. Submittals:

If a vendor submits a bid with any exception to this specification, the vendor may be required to submit a letter attached to the documents listing in detail how it differs from the specifications upon request from Jefferson Parish. Mere attachment of brochures covering standard manufactured equipment when such differs from these specifications shall not be adequate to satisfy the letter of exceptions requirement. Such items may include

- A complete specification and submittal of all major components
- One copy of all "Bill of Materials" of the unit's construction, cutaway drawings, and dimensions as offered to confirm compliance with the specifications.
- Mere attachment of brochures covering standard manufactured equipment shall not be adequate.

Any bidder not able to supply information shall be considered non-responsive and shall not be accepted. Vendor must submit specifications on "equal" with bid submission.

2. Delivery:

Freight shall be included in base bid. The entire order shall be delivered to the Ames Warehouse located at 5100 Rochester Drive, Marrero, LA 70072. All deliveries shall be made during operating hours between 7:00 AM and 3:00 PM Monday through Friday. Deliveries will not be accepted during Jefferson parish holidays.

3. Specifications:

Wherever a brand name, make, manufacturer, model, or catalog number is specified, it is used only to denote the quality standard of product desired and does not restrict bidders to that brand or manufacturer. Such references are intended solely to convey the general style, type, character, and minimum quality of product required. Equivalent products may be acceptable if, in the Parish's sole discretion, they meet all specifications and project needs. Required documentation for proposed equivalents shall be submitted in accordance with Section 1 Submittals.

Item 0010 Gear-Motor Assembly, Model: SK73/22 VL-90LP/4-CUSTW, or equal

Gear-motor assembly must be identical to the currently installed assembly as pictured in Figure A and as specified below.

- Output Speed 5 rpm, Power 2 hp, Gear Ratio 345.9, AGMA Class II, Mounting Pos M1
- Input Speed (Motor Speed) 1730 rpm, Output Torque 24590 lb-in, Brake Lever Loc
- Service Factor 1.8, Motor SF 1.15, Term Box Pos 1
- Voltage 230/460 V, Frequency 60 Hz Flange Location, Current 5.6 / 2.8 A
- Shaft Loc, Duty S1 - Continuous Mech Var Loc, Conduit Entry I
- Overhung load 6647 lb, Axial Load 11240 lb, Duty S1 - Continuous Mech Var Loc

- Insulation Class F, Paint Coating Basic (Standard Paint)
- Output Shaft Solid Keyed Shaft Enclosure TEFC - IP55 Paint Color Stainless Steel Gray
- Output Shaft Dia 3.000"X5.50", Brake Torque - Lubricant VG220-MIN-EP
- Lubrication Qty 22.44 qt
- Flange size Rectifier Base Weight 542 lb

Other:

Bidding vendors must hold prices firm for 45 days after the bid opening for a PO.

Figure A:



Item 0020 Drive Sprocket w/ Shear Pin, Model: 1031SP11H2.5SK, or equal

- Compatible with 1031 chain
- Sprocket Tooth Count: 11
- 2.5" bore
- Standard
- Shear Pin Design: SP23
 - ½" O.D. x 2-1/8" long
 - Necked to ½" Diameter

- Carbon Steel

Item 0030 Driven Sprocket, Model: H1031C34H4BOR, or equal

- 7" X 5.5" stepped hub
- 4" bore
- Standard keyway w/ (2) 316 stainless steel setscrews, standard fit
- Bore tolerance (+.004-.000)
- 33.3" Pitch Dia.
- Standard plate thickness 1.375"
- Hardened 1045 standard tooth profile

Item 0040 Drive Chain, Model: US-1031

- D1031 COTT
- 3.075 Pitch

Item 0050 Idle Sprocket

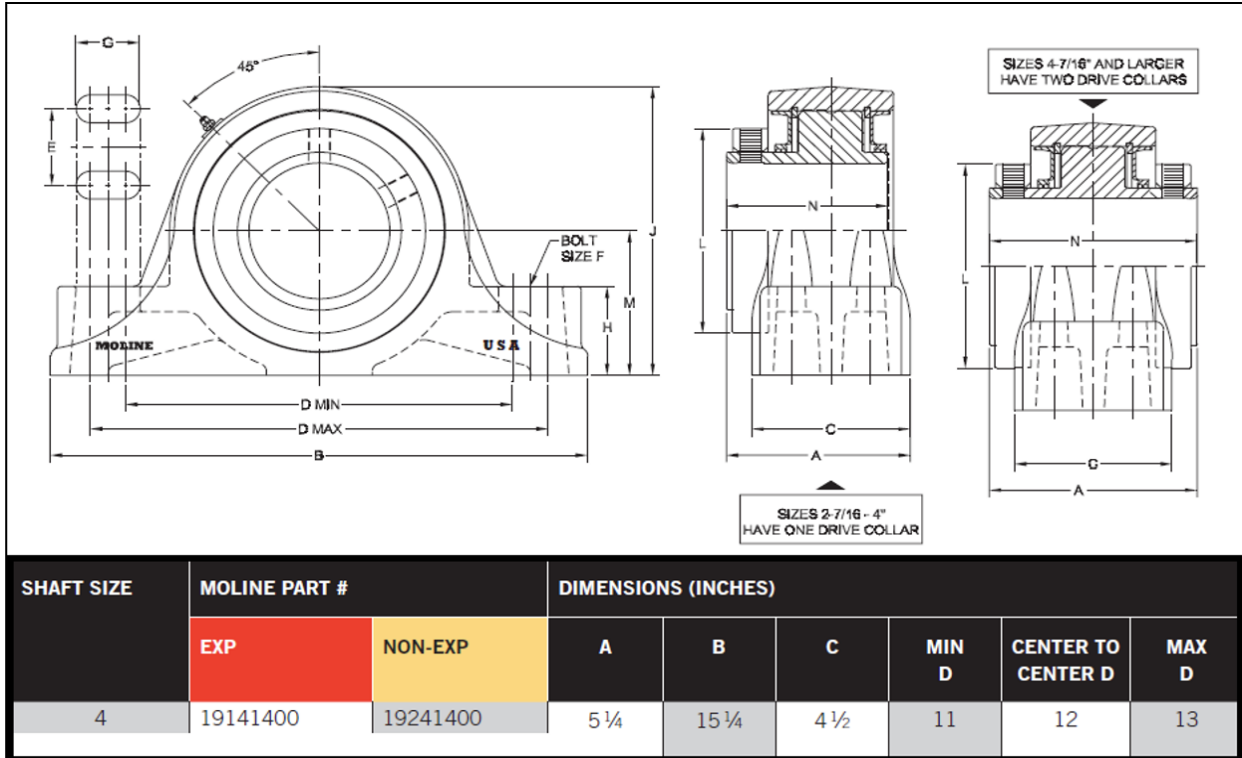
- Flame Cut Sprocket
- C-Type Hub, Steel fabricated construction
- 9.000 Pitch
- 3.50" Roll
- 23.5218" Pitch Diameter
- 1-3/4" Plate Thickness
- 7.50" Hub Dia.
- 5.75" Length Through Bore
- 4.937" Bore
- 1" x 1/2" Center Line of Tooth Keyway
- (2) 3/4" Setscrews
- 4-15/16" Finished Bore
- Tooth Count: 8

Item 0060 Pillow Block Bearing, Model: PB22464, or equal

Pillow block bearing must be dimensioned identically as pictured in Figure B and as specified below.

- Fits 4" shaft size
- One Drive Collar
- Grease lubricated

Figure B:



Item 0070 Idle Chain, Model: D963R, or equal

Links shall come assembled in sections of twenty (20) links each for shipping.

Steel Certificate of origin is required with delivery of chains

The rake chains shall be matched strands of steel thimble roller chain having identical pitch and carbon steel straight side bars, and an ultimate strength of 40,000 pounds. The chains shall also have case-hardened steel thimbles, heat treated steel pins, and straight faced, hardened steel rollers with stainless steel cotter pins. Bushing, roller, and pin shall be CHT heat treated. No grease or oil, just plain links.

Minimum 40 Rockwell hardness is required for all bushings, cast or steel machined is approved.

Basis of Design: Tsubaki D-963-R plain chain with SS t-head cotter pins.

Dimensions of chain shall match the following Figure C below and a picture of application is shown in Figure D:

Figure C:

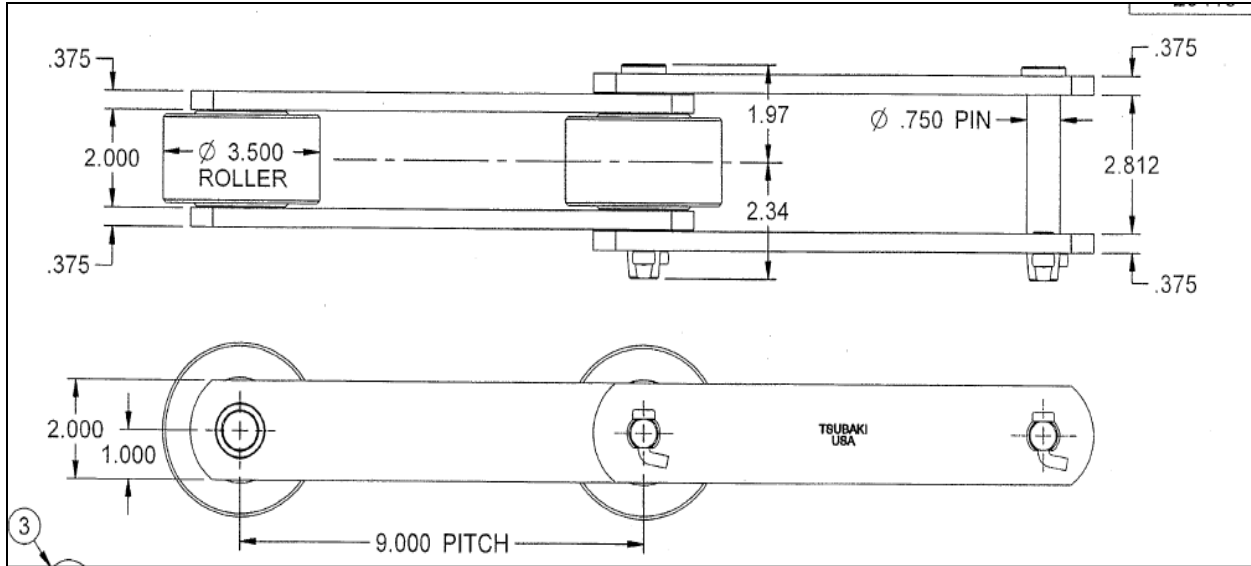


Figure D:



4. Warranty:

All materials shall come with a one (1) year manufacturer's warranty.



JEFFERSON PARISH

PURCHASING DEPARTMENT

CYNTHIA LEE SHENG
PARISH PRESIDENT

RENNY SIMNO
DIRECTOR



May 2025

Changes to Jefferson Parish Bidding Information

The Jefferson Parish Purchasing Department would like to make vendors aware of the following changes that are now effective:

➤ **Additional Requirements for Bid Instructions:**

The Additional Requirements for Bid Instructions have been revised. The numbers correlating with the instructions may not be the same number as past bids. **Please read ALL instructions and bid documents carefully and thoroughly prior to bid submission.**

➤ **Affidavits:**

There is a new affidavit for all bids named "Generic Bid Affidavit". The Public Works Bid Affidavit and Non-Public Works Bid Affidavit are no longer valid. **The "Generic Bid Affidavit" must be submitted with ALL bid submissions.**

➤ **Insurance Requirements:**

Within ten (10) days of bid opening, the apparent low bidder will be required to provide FINAL insurance certificates evidencing the insurance coverages of the subject bid (please refer to each individual bid specifications requirements) to Jefferson Parish which shall name "the Parish of Jefferson, its Districts, Departments, and Agencies under the direction of the Parish President and the Parish Council" as additional insured on the Commercial General Liability and the Comprehensive Automobile Liability policies to protect against negligence by the contractor, as provided by contract.

Failure to provide your certificate of insurance within the ten (10) days of bid opening shall result in the Parish rejecting your bid as non-responsive and moving on to the next apparent lowest bidder.

You may still opt to send in your insurance certificates with your bid submission, however, if the provided certificates are not in FINAL form, if you are the apparent low bidder, then you will still be required to send in a FINAL certificate within 10 days of bid opening.

Generic Bid Affidavit Instructions

This affidavit is supplied as a courtesy to Affiant. It is the responsibility of the affiant to insure the affidavit submitted to Jefferson Parish complies, in both form and content, with federal, state and parish laws. It is the responsibility of the Affiant to submit a new affidavit if any additional campaign contributions are made after the affidavit is executed but prior to the time the council acts on the matter.

The Affidavit MUST comply with the following requirements to be accepted.

- Must be signed by an authorized representative of the entity.
- Must be notarized by a notary with proper jurisdiction who must sign and print name, and include bar/notary number.
- Location where the notarization is taking place should be filled in at the top of the affidavit – not the location of the contract services.
- MUST select either Choice A or B when required.
- If choice A is selected, it must include an attachment.

Affidavits with the following WILL NOT be accepted.

- If both choice A and B are selected, the affidavit will not be accepted.
- An affidavit marked N/A will not be accepted.
- An affidavit missing attachment(s) when required will not be accepted.
- An affidavit that is notarized by a notary who does not have jurisdiction in the place where notarized or is not active will not be accepted.
- Affidavits that are older than six (6) months will not be accepted.

Instruction sheet may be omitted when submitting the affidavit.

Generic Bid

AFFIDAVIT

STATE OF _____

PARISH/COUNTY OF _____

BEFORE ME, the undersigned authority, personally came and appeared:

_____ (Affiant) who after being duly sworn by me, deposed and said that he/she is the fully authorized _____ of _____ (Entity), who submitted a bid to the Parish of Jefferson.

Affiant further said:

Campaign Contribution Disclosures

(Choose A or B, if option A is indicated please include the required attachment):

Choice A _____ Attached hereto is a list of all campaign contributions, including the date and amount of each contribution, made to current or former elected officials of the Parish of Jefferson by Entity, Affiant, and/or officers, directors and owners, including employees, owning 25% or more of the Entity during the two-year period immediately preceding the date of this affidavit. Further, Entity, Affiant, and/or Entity Owners have not made any contributions to or in support of current or former members of the Jefferson Parish Council or the Jefferson Parish President through or in the name of another person or legal entity, either directly or indirectly.

Choice B _____ There are **NO** campaign contributions made which would require disclosure under Choice A of this section.

Affiant further said:

Debt Disclosures

(Choose A or B, if option A is indicated please include the required attachment):

Choice A _____ Attached hereto is a list of all debts owed by the affiant to any elected or appointed official of the Parish of Jefferson, and any and all debts owed by any elected or appointed official of the Parish of Jefferson to the Affiant.

Choice B _____ There are **NO** debts which would require disclosure under Choice A of this section.

Affiant further said:

That Affiant has employed no person, corporation, firm, association, or other organization, either directly or indirectly, to secure the public contract under which he received payment, other than persons regularly employed by the Affiant whose services in connection with the construction, alteration or demolition of the public building or project or in securing the public contract were in the regular course of their duties for Affiant; and

That no part of the contract price received by Affiant was paid or will be paid to any person, corporation, firm, association, or other organization for soliciting the contract, other than the payment of their normal compensation to persons regularly employed by the Affiant whose services in connection with the construction, alteration or demolition of the public building or project were in the regular course of their duties for Affiant.

Affiant further said:

Affiant personally has not been convicted of, nor has he/she entered into a plea of guilty or nolo contendere to any of the crimes or equivalent federal crimes listed below. No individual partner, incorporator, director, manager, officer, organizer, or member, who has a minimum of a ten percent ownership in the Bidding Entity, has been convicted of or has entered a plea of guilty or nolo contendere to any of the crimes or equivalent federal crimes listed below. A conviction of or plea of guilty or nolo contendere to the following state crimes or equivalent federal crimes shall permanently bar any person or the bidding entity from bidding on public projects:

- (a) Public bribery (R.S. 14:118)
- (b) Corrupt influencing (R.S. 14:120)
- (c) Extortion (R.S. 14:66)
- (d) Money laundering (R.S. 14:230)

A conviction of or plea of guilty or nolo contendere to the following state crimes or equivalent federal crimes shall bar any person or the bidding entity from bidding on public projects for a period of five years from the date of conviction or from the date of the entrance of the plea of guilty or nolo contendere:

- (a) Theft (R.S. 14:67)
- (b) Identity Theft (R.S. 14:67.16)
- (c) False accounting (R.S. 14:70)
- (d) Issuing worthless checks (R.S. 14:71)
- (e) Bank fraud (R.S. 14:71.1)
- (f) Forgery (R.S. 14:72)
- (g) Contractors; misapplication of payments prohibited (R.S. 14:202)
- (h) Malfeasance in office (R.S. 14:134)

The five-year prohibition provided for in this section shall apply only if the crime was committed during the solicitation or execution of a contract or bid awarded pursuant to these provisions. If evidence is submitted substantiating that a false attestation has been made and the project must be readvertised or the contract canceled, the awarded entity

making the false attestation shall be responsible to the public entity for the costs of rebidding, additional costs due to increased costs of bids and any and all delay costs due to the rebid or cancellation of this project.

Affiant further said:

- (1) Entity is registered and participates in a status verification system to verify that all employees in the State of Louisiana are legal citizens of the United States or are legal aliens.
- (2) Entity shall continue, during the term of the contract, to utilize a status verification system to verify the legal status of all new employees in the State of Louisiana.
- (3) Entity shall require all subcontractors to submit to the Entity a sworn affidavit verifying compliance with statements (1) and (2) above.

Signature of Affiant

Printed Name of Affiant

SWORN AND SUBSCRIBED TO BEFORE ME,
NOTARY PUBLIC ON THE _____ DAY
OF _____, 20_____.

Notary Public

Printed Name of Notary

Notary/Bar Roll Number

My commission expires _____.

Evidence of Authority Instructions

Only an authorized Agent shall sign this proposal. Each Proposer is required to provide satisfactory evidence of the authority of the person signing for the agency, corporation, partnership or other legal entity, which shall be attached to the proposal.

The following page is a sample Corporate Resolution. This sample is supplied as a courtesy to Proposers, but it is the responsibility of the Proposer to ensure the evidence of authority they submit to Jefferson Parish complies, in both form and content, with federal, state and Parish laws. Additionally, a sample Sole Proprietorship Certification may be found at <https://www.jeffparish.gov/466/Document-Library>.

Instruction sheet may be omitted when submitting.

CORPORATE RESOLUTION

Excerpt from minutes of meeting of the Board of Directors of

Incorporated.

At the meeting of Directors of _____
Incorporated, duly noticed and held on _____,
A quorum being there present, on motion duly made and seconded. It was:

Resolved that _____, be and is hereby appointed, constituted and designated as agent and Attorney-In-Fact of the corporation with full power and authority to act on behalf of this corporation in all negotiations, bidding, concerns and transactions with the Parish of Jefferson or any of its agencies, departments, employees or agents, including but not limited to, the execution of all bids, papers, documents, affidavits, bonds, sureties, contracts and acts and to receive all purchase orders and notices issued pursuant to the provisions of any such bid or contract, this corporation hereby ratifying, approving, confirming, and accepting each and every such act performed by said agent and Attorney-In-Fact.

I hereby certify the foregoing to be a true and correct copy of an excerpt of the minutes of the above dated meeting of the Board of Directors of said corporation, and the same has not been revoked or rescinded.

Secretary-Treasurer

Date